

RED3K609

Owner's Manual

9 foot 1000 RPM, 3-Point Mounted Snow Blower



270 West Park Avenue

Huron, SD 57350

866-526-5682

Serial Number: _____ **Date of Purchase:** _____

Red Devil Snow Blower

See Figure 1.

1. The Red Devil Snow Blower will arrive on a pallet as shown in Figure 1.
2. In the accompanying box you will find the following:

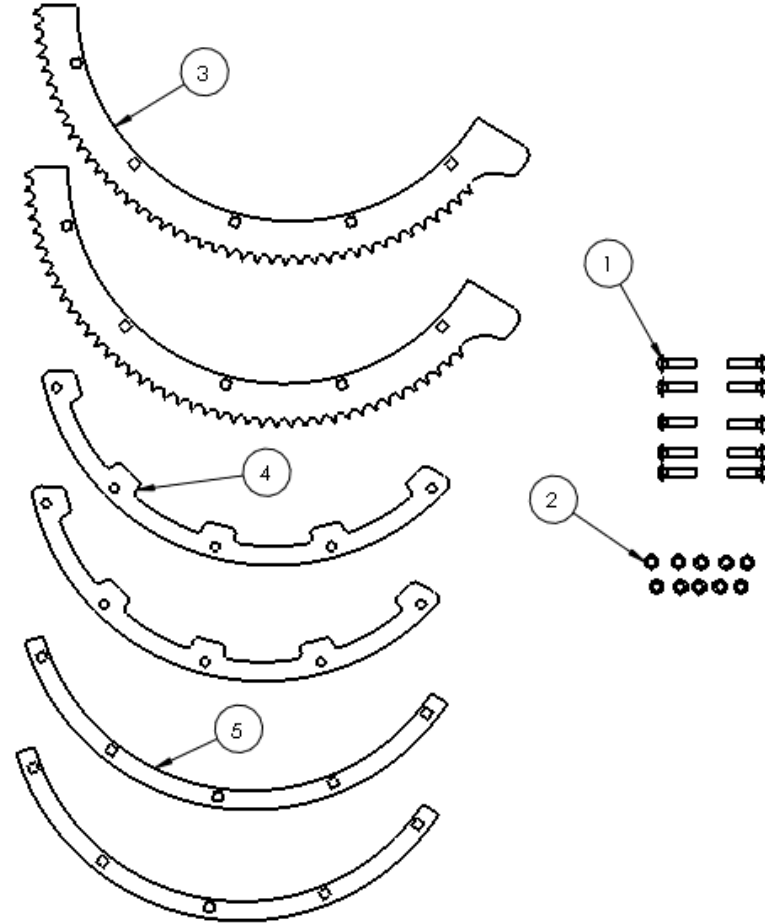
<i>Part Numbers</i>	<i>Description</i>	<i>Quantity</i>
RED-1000-CH-0004	Chute Gear Rings	2
RED-1000-CH-0005	Half-Moon Chute Gear Clamps	2
RED1000CH-0240	Chute Clamp Shim	2
Bag of Hardware		1



Figure 1

RED9KCGK

ITEM NO.	PART NUMBER	DESCRIPTION	QTY.
1	RED305K	3/8" X 1-1/2" CARRAIGE BOLT	10
2	REDODTT	3/8"-16 TOP LOCK NUT	10
3	RED-1000-CH-0004	RED DEVIL 1000 RPM CHUTE GEAR	2
4	RED-1000-CH-0005	RED DEVIL 1000 RPM CHUTE CLAMP	2
5	RED1000CH-0240	1000 RPM BLOWER STANDARD CHUTE CLAMP SHIM	2



Chute Installation

1. Slide the chute gear rings (RED-1000-CH-0004) over the top of the impeller housing chimney as shown in figure 2. The teeth should engage with the sprocket as shown in figure 3.
2. Place the clamp shims (RED1000CH-240 and two half moon chute gear clamps (RED-1000-CH-0005) underneath the chute gear ring.
3. Set the chute on top of the impeller housing chimney and align bolt holes of all three components.
4. Use (10) carriage bolts (REDB305) and (10) lock nuts (REDODTT) to attach chute gear, half moon clamps, and chute together to complete assembly as shown in figure 4.
5. Grease the flange with the zerk installed on the bottom side of chimney flange. Rotate chute as you grease to ensure even grease distribution.
6. Tighten or loosen nuts after greasing to maintain a firm grip that will rotate easily.
7. Slide motor and gear assembly forward to make a tight fit with the chute gear and tighten bolts attaching the motor to the housing.

Figure 2



Figure 3



Figure 4



3-Point Configuration

8. Your Red Devil snow blower can be configured differently if you choose to use a 3-point quick hitch. When not using a quick hitch the lower mounting pin extension plates may need to be used as shown in the below image. The extension plates provide adequate space for the PTO driveline in most applications. Refer to Figure 5.
9. When using a quick hitch the extension plates need to be removed for proper operation. The extension plates may be stored on the blower as shown below. Refer to Figure 6.

Figure 5

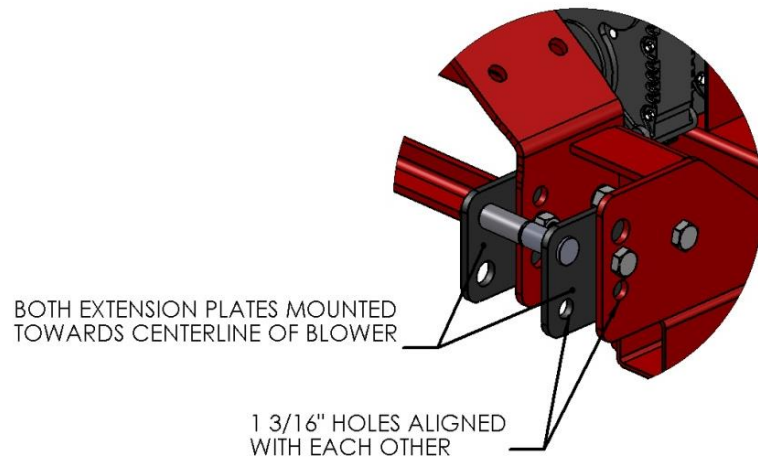
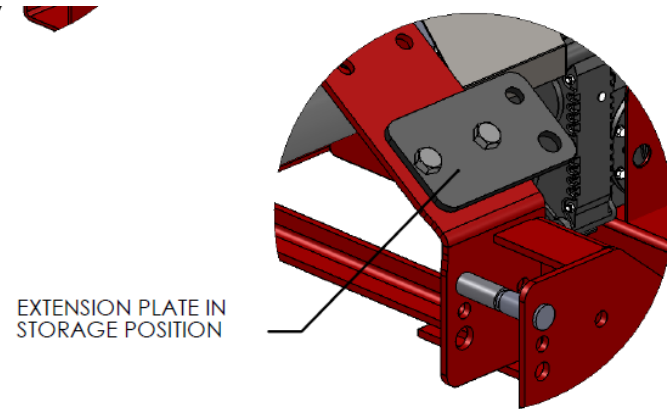


Figure 6



Red Devil Serial Number

1. A stainless steel serial number tag is located on the bracket that holds the Chute Rotation Motor.
2. This serial number is required for product registration and is needed for all warranty issues. (As shown in Figure 7)

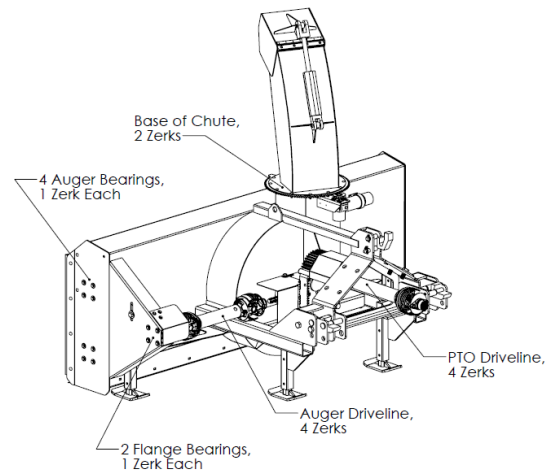


Figure 7

Preliminary Check

MAKE SURE PTO IS DISENGAGED, ENGINE IS SHUT OFF AND KEYS ARE REMOVED

- ✓ Visually check the shipping pallet and packaging for any shipping damage.
- ✓ Unpack the snow blower from the shipping pallet.
- ✓ Grease all of the grease zerks on your snow blower. (See below drawing)
 - One on each of the four auger bearings
 - One on each of the two auger driveline bearings
 - Two on bottom of chute rotation
 - Four on the PTO driveline
 - Four on the auger driveline



- Check the chain tension. Adjust idler sprocket if needed.
- Check the gearbox oil level. Oil should be up to the plugs on the sides of both gearboxes. **DO NOT OVERFILL.** The gearboxes require 80W-90 Gear Oil.
- Make sure the chute rotation mechanism is working freely.
- Make sure the deflector mechanism is working freely.
- Make sure the impeller and auger are free of foreign objects.
- Make sure all decals and safety signs are clean and readable.
- Make sure all safety shields are in place and in good condition.
- Make sure driveline shield spins freely.
- Make sure the driveline is the proper length for your 3-Point setup.
- Make sure all nuts, bolts, and pins are tightened and secure in place.
- Make sure the hydraulics are in good working condition by testing each function and checking for leaks.

Use Synthetic 80/90 Gear Oil In Gear Box

OPERATING THE SNOW BLOWER

- Make sure the impeller and auger are free of any loose objects.
- Check to see that all the shields and guards are in place and in good condition.
- Lubricate the snow blower before and after every use.
- After starting the engine, engage the PTO.
- Ease the blower slowly into the snow.
- When clearing deep snow you may have to take more than one cut, starting at the top of the drift. Remember to disengage the PTO when raising the snow blower.
- Stop the blower's backward motion in order to assure that all snow has passed through the snow blower.
- Shallow snow can normally be cleared in one pass, depending on the density of the snow and the available horsepower.

DO NOT BULLDOZE – THE BLOWER WAS NOT DESIGNED FOR BULLDOZING

- The most effective method of dispensing snow is to blow the snow as high as possible downwind, if room permits.
- The chute deflector will allow you to adjust the height that the snow is thrown.
- Reducing the PTO RPM will reduce the distance the snow is thrown.
- You can change the direction of the snow being thrown by using the hydraulic chute rotation controls. Always be aware of where you are throwing the snow.
- Your snow blower has Manual deflector control.
- DO NOT throw the snow toward buildings, livestock, the tractor or any other object that may be damaged.
- DO NOT change the chute direction or adjust the deflector while snow is being discharged. This may cause damage to both the chute and deflector.
- DO NOT use hydraulic controls until you insure that the chute moves freely. Damage to chute and controls may occur.

OPERATION SAFETY

- Disengage PTO, stop engine, and remove the engine key whenever you leave the equipment seat.
- Disengage PTO, stop engine, and remove the engine key after striking a foreign object. Thoroughly inspect the blower before restarting unit.
- Disengage PTO, stop engine, and remove the engine key before attempting to service your snow blower or unplugging the impeller and chute.
- Do not rotate the chute so that discharge material will be directed toward people, your tractor, or any other object that could be damaged.
- Rotating components can catch feet, hands, and loose clothing. Stand clear of all moving parts.
- Do not climb or step on or over the snow blower for any reason.
- Never operate the snow blower in bad light or poor visibility.
- Disengage the PTO while raising, lowering, and transporting the snow blower.
- Make sure to read and understand every safety sign on your machine.
- Stay clear of the blower at all times while the PTO is engaged.

- Do not bulldoze. Let the machine throw the snow.
- Be aware of your surroundings and know the area you are removing the snow from.
- Do not allow anyone to ride on the snow blower at any time.
- Keep all shields in place and safety equipment intact.

DRIVELINE INSTALLATION INSTRUCTIONS

FOLLOW INSTRUCTIONS CAREFULLY TO DETERMINE THE PROPER FIT OF THE DRIVELINE

1. Hook up snow blower to lower arms of the 3-point.
2. Measure the distance from the end of the PTO shaft to the end of the gear box shaft
3. Lay driveline on flat surface and measure the distance from one yoke to the other in the most retracted position. If the driveline length is greater than length of shaft, move the mountings to correct the length, shorten driveline or use a CAT II quick hitch.
4. If distance from shaft to shaft is greater than 9" more than the overall length of driveline, it may be too short. Most drivelines require a minimum of 5" overlap.
5. Once the driveline is installed, slowly lift the snow blower thru the complete arc of 3-point mount. Make sure driveline does not bottom out anywhere throughout the arc. Make sure the shields do not separate.

Driveline Safety and Maintenance

- Keep driveline shield in place – do not remove. Never operate your snow blower when driveline shields are damaged or missing. These shields have been installed for your safety. Personal injury or even death can result from entanglement in rotating components.
- Do not operate your snow blower with a driveline that is too long or with a dented shield. This will not allow the shaft to telescope freely. Operating under these conditions can cause damage to the snow blower, gear box, driveline knuckles, or your tractor.
- Keep the driveline well greased or oiled. (Oil should be used in severe cold)
- Make sure the third arm on the tractor 3-point will have the snow blower sitting level and resting on the skid shoes. This will keep the knuckles on the driveline running as straight as possible.
- Raising and lowering the snow blower while the PTO is engaged can cause severe damage to the driveline and the tractor.
- Operating the driveline at an excessive angle will shorten the life of the driveline.
- Personal injury or even death can result from entanglement with drivelines. Stay clear of driveline at all times while PTO is engaged.
- If your driveline is making a chattering noise you may be running at too steep of an angle. You may need to move the mounting out to lessen the angle.
- Drivelines must always have at least 5” of overlap.
- Grease before operating your snow blower.

Red Devil Statement of Limited Warranty

Red Devil warrants its new products to be free from defects in material and workmanship for a period of one (1) year following the date of purchase by the retail purchaser.

Red Devil warrants genuine Red Devil replacement parts and components to be free from defects in material and workmanship for a period of ninety (90) days following the date of purchase or the remainder of the original equipment warranty period, whichever is longer. Red Devil's obligation under these warranties shall be limited to repairing or replacing, free of charge to the original purchaser, any part that, in Red Devil's judgment, shows evidence of such defect

Limitations to Warranty

This warranty does not cover:

- 1) Warranty claims directly resulting from improper installation of the product.
- 2) Any product damaged by accident, abuse, misuse, or negligence after shipment from Red Devil.
- 3) Any unauthorized product alteration or modification.
- 4) Any unauthorized repairs made with parts other than genuine Red Devil parts.
- 5) Any repairs performed by anyone other than Red Devil or an authorized Red Devil dealer unless specifically authorized by Red Devil.
- 6) Snow Blower Fan Shafts.
- 7) Snow Blowers being used on a rental basis.

Warranty Procedure

Warranty registration form must be filled out and returned to Red Devil to validate all future warranty claims.

- 1) Troubleshooting should be done between end user/dealer and Red Devil through our technical assistance @ 866-526-5682.
- 2) Labor reimbursement will occur only when pre-arranged through Red Devil's technical assistance. Lankota will reimburse labor based on it's current shop rate completed within a reasonable time using Red Devil's judgment.
- 3) There is no mileage reimbursement.
- 4) Diagnostic time will not be reimbursed except in pre-arranged circumstances.
- 5) Warranty claims should be on typical dealer service work order with a number and name to be attached for any future correspondence.
- 6) All warranty work must be performed and claims submitted within thirty (30) days of the occurrence of the claim and within the warranty period.
- 7) All parts removed during warranty repair should be held for a period of thirty (30) days after the warranty claim has been submitted to Red Devil.
- 8) Red Devil reserves the right to either inspect the product at the original retail purchaser's location or require it to be returned to Red Devil for inspection.

Limitation of Liability

Red Devil makes no express warranties other than those, which are specifically described herein. Any description of the goods sold hereunder, including any reference to buyer's specifications and any descriptions in circulars and other written material published by Red Devil is for the sole purpose of identifying such goods and shall not create an express warranty that the goods shall conform to such description.

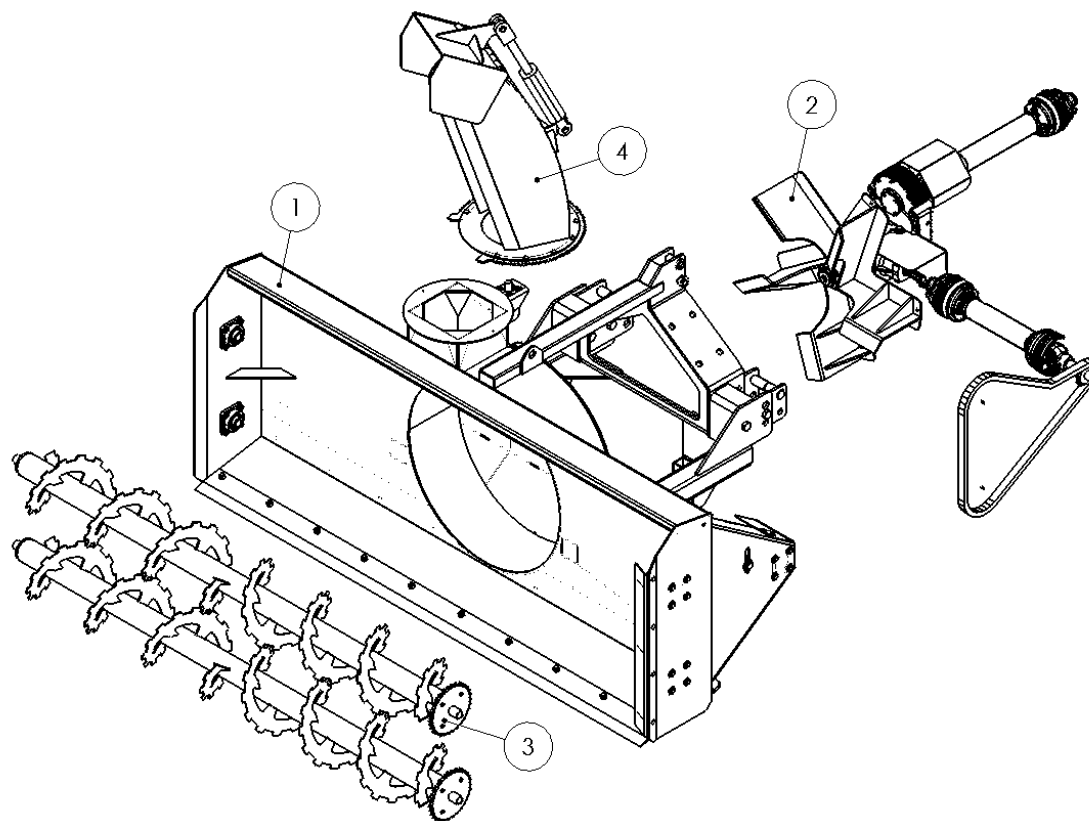
THIS WARRANTY IS EXPRESSLY IN LEU OF ALL OTHER WARRANTIES EXPRESSED OR IMPLIED. There are no warranties of merchantability or fitness of a particular purpose. This warranty states Red Devil's entire and exclusive liability and buyer's exclusive remedy or any claim for damages in connection with the sale of furnishing of Red Devil products, their design, suitability for use, installations or operation, or for any claimed defects herein. RED DEVIL WILL IN NO EVENT BE LIABLE FOR ANY INCIDENTAL OR CONSEQUENTIAL DAMAGES WHATSOEVER, NOT FOR ANY SUM IN EXCESS OF THE PRICE RECEIVED FOR THE GOODS FOR WHICH LIABILITY IS CLAIMED.

No representative of Red Devil nor any dealer associated with Red Devil has the authority to change the items of this warranty in any manner whatsoever, and no assistance to purchase by Red Devil in the repair or operation of any Red Devil product shall constitute a waiver of the conditions of this warranty, nor shall such assistance extend or revive it.

Lankota reserves the right to make improvements in design or changes in specifications at any time, without incurring any obligation to owners of units previously sold.

Parts Book

ITEM NO.	PART NUMBER	DESCRIPTION	QTY.
1	RED-1000-9H	1000 RPM BLOWER HOUSING COMPONENTS	1
2	RED-1000-Powertrain	RED DEVIL 1000 RPM POWERTRAIN COMPONENTS	1
3	REDAUG9N	RED DEVIL AUGER ASSEMBLY	2
4	RED-1000-CH	RED DEVIL CHUTE ASSEMBLY	1



ITEM NO.	PART NUMBER	DESCRIPTION	QTY.
1	RED-1000-9H-0000	RED DEVIL 9' 1000 RPM HOUSING	1
2	RED-1000-9H-0001D	RED DEVIL 9' 1000 RPM CUTTING EDGE	1
3	RED89H-SKIDS	RED DEVIL SKID SHOE WELDMENT	4
4	RED-1000-FB-1.38	NANF 1 3/8" FLANGE BEARING	6
5	RED-1000-GB-0011	ANSI#80 11 TOOTH IDLER SPROCKET	1
6	RED-1000-H-0006W	RED DEVIL SPROCKET GUARD WELDMENT	1
7	RED-1000-H-0107	RED DEVIL AUGER DRIVE SHIELD	1
8	RED-1000-3PT-0015	RED DEVIL 3-POINT LOWER EXTENSION	4
9	RED-1000-3PT-0020	RED DEVIL CAT. 2 & 3 STEPPED LOWER 3-PT PINS	2
10	RED21192	TOP LINK BUSHING - CAT. 2 TO 3	1
11	RED21198	LIFT ARM BUSHING - CAT. 2 TO 3	2
12	RED21261	TOP LINK PIN - CAT. 2	1
13	RED21270	TOP LINK PIN - CAT. 3	1
14	RED21940	7/16" x 2" LINCH PIN	4
15	RED10110	RED DEVIL CHUTE ROTATION MOTOR	1
16	RED51039	RED DEVIL CHUTE ROTATION SPROCKET	1
17	RED01-315C	MANUAL HOLDER CANISTER	1
18	RED3234	ZERK FITTING 1/4"-28	2
19	REDKRJ8	5/16"-18 TOP LOCK NUT	3
20	LANF-CHS-0.313C-0.75	5/16"-18 x .75" CARRIAGE SCREW	3
21	REDNAF3	3/8" HEX NUT	3
22	RED0DTT	3/8"-16 TOP LOCK NUT	4
23	LAN18000	3/8" FLAT WASHER	7
24	REDWL53	3/8" LOCK WASHER	7
25	RED00MF	3/8"-16 x 7/8" HEX HEAD CAP SCREW	4
26	LAN18A00	3/8"-16 x 1.00" HEX HEAD CAP SCREW	3
27	LAN18A	3/8"-16 x 1" Carriage Bolt	4
28	RED1F30	1/2"-13 TOP LOCK NUT	24
29	LAN22000	1/2" FLAT WASHER	20
30	LAN22A32	1/2"-13 x 1.50 HEX HEAD CAP SCREW	24
31	REDKRJF	5/8"-11 TOP LOCK NUT	10
32	RED706K	5/8"-11 x 1.50" CARRIAGE BOLT	10
33	REDKRJG	3/4"-10 TOP LOCK NUT	1
34	REDWU58	3/4" FLAT WASHER (2.0" OD)	2
35	REDWS58	3/4" FLAT WASHER 1 7/16 OD	8
36	LANF-HHCS-0.750C-5.50	3/4"-10 x 5.50" HEX CAP SCREW	1
37	LANF-HN-1.000C	1"-8 HEX NUT	8
38	LANF-LW-1.000	1.00" LOCK WASHER	8
39	LANF-HHCS-1.00C-2.25	1"-8 x 2.25" HEX HEAD CAP SCREW	8

Refer to Figures
8a and 8b on next
two pages.

Figure 8a.

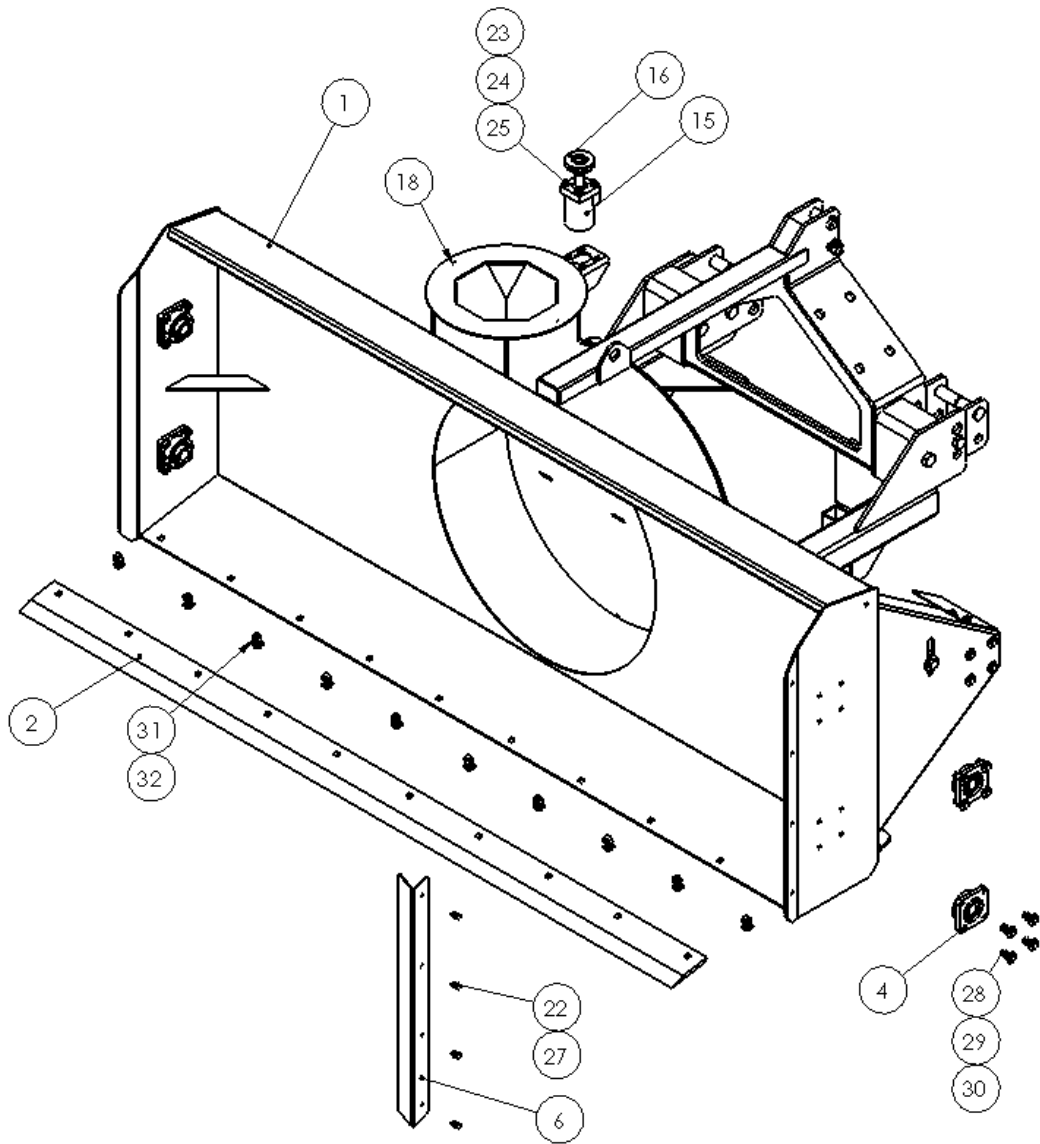
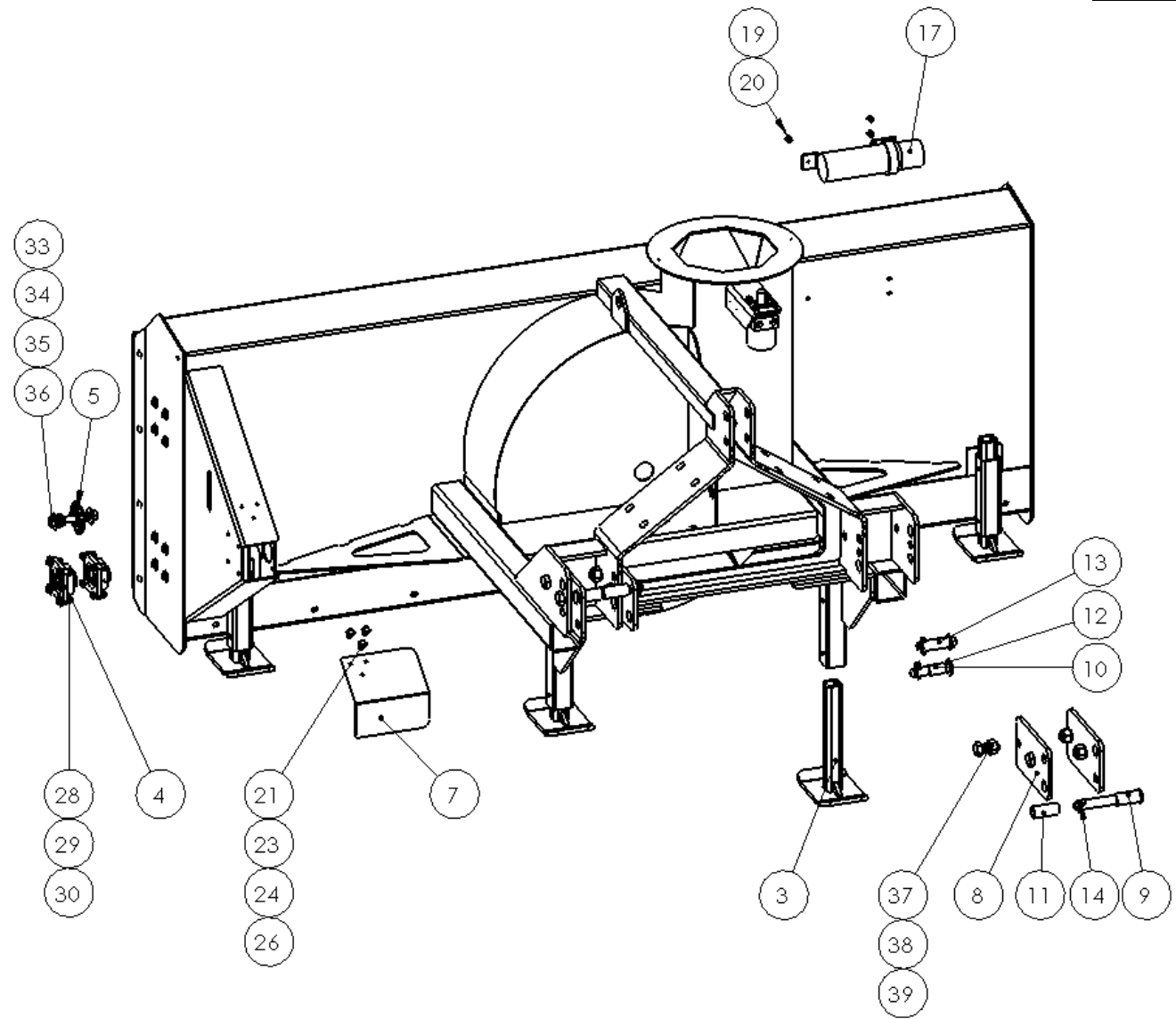


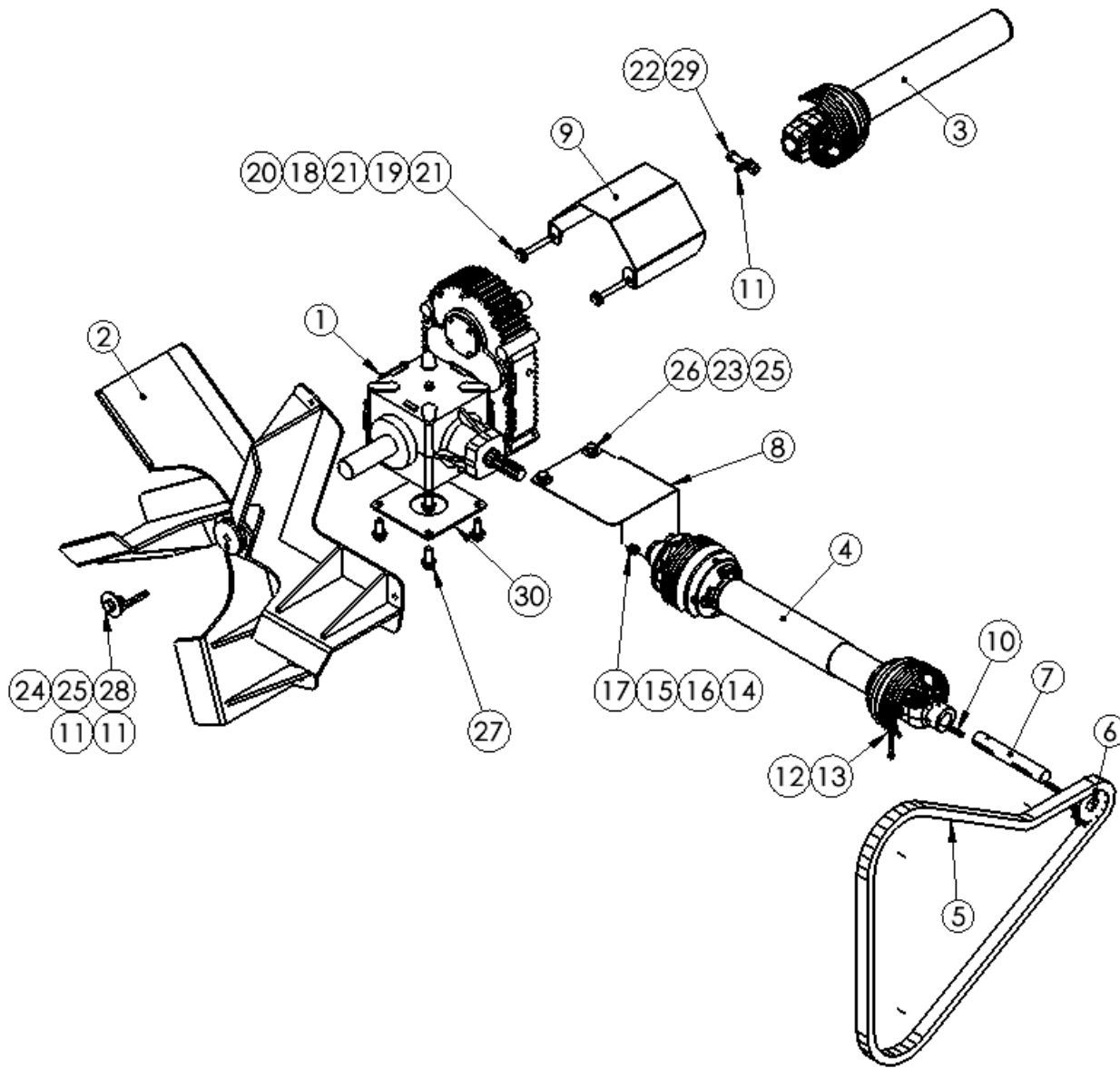
Figure 8b.



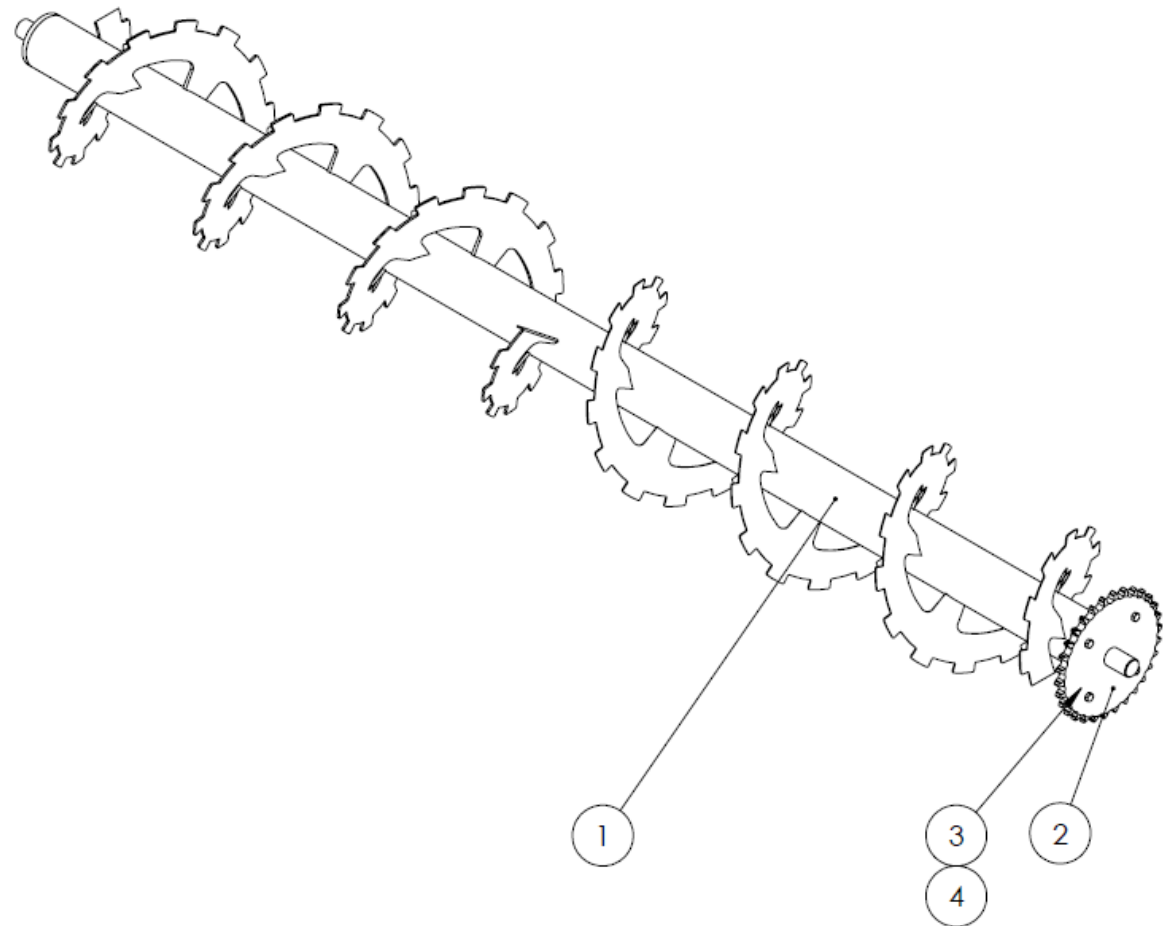
ITEM NO.	PART NUMBER	DESCRIPTION	QTY.
1	RED7720	RED DEVIL 1000 RPM CAST GEARBOX	1
2	RED-1000-IMP-5000	RED DEVIL 1000 RPM 5 BLADE IMPELLER	1
3	RED252-25537	1000 RPM 1-3/8" 21-Spline Driveline	1
4	RED252-26000	RED DEVIL 540 6 SPLINE DRIVELINE	1
5	RED-1000-SFS-0005	ANSI #80H ROLLER CHAIN 96P + CON. LINK	1
6	RED-1000-SFS-0102	ANSI 80 13TOOTH HARDENED DRIVE SPROCKET	1
7	RED-1000-SFS-0103Z	RED DEVIL 1 3/8" KEYED STUB SHAFT	1
8	RED-1000-GB-0102	RED DEVIL GEARBOX TO AUGER DRIVE SHIELD	1
9	RED-1000-GB-0105	RED DEVIL GEARBOX PTO SHIELD	1
10	RED02JK	MACHINE KEY 5/16" X 2.00"	2
11	RED10BX	MACHINE KEY 3/8" X 2.00"	3
12	REDKRJ8	5/16"-18 TOP LOCK NUT	1
13	REDB212	5/16"-18 x 3.00 HEX HEAD CAP SCREW	1
14	REDNAF3	3/8" HEX NUT	2
15	LAN18000	3/8" FLAT WASHER	4
16	REDWL53	3/8" LOCK WASHER	2
17	LAN18A00	3/8"-16 x 1.00" HEX HEAD CAP SCREW	2
18	LANF-HN-0.500C	1/2"-13 HEX NUT	2
19	LAN22000	1/2" FLAT WASHER	4
20	REDWL55	1/2" LOCK WASHER	2
21	LANF-HHCS-0.500C-5.00	1/2"-13 x 5.00" HEX HEAD CAP SCREW	2
22	REDKRJF	5/8"-11 TOP LOCK NUT	1
23	LAN26000	5/8" FLAT WASHER	2
24	REDXNWY	5/8" FLAT WASHER 2.50" OD	1
25	REDWL57	5/8" LOCK WASHER	3
26	LANF-HHCS-0.625C-0.75	5/8"-11 x 0.75" HEX HEAD CAP SCREW	2
27	LANFHCP64	SERR FLNG BOLT- 0.625-11 X 1.50, GR. 5	4
28	REDB706	5/8"-11 x 1.50" HEX HEAD CAP SCREW	1
29	REDB712	5/8"-11 X 3.00" HEX HEAD CAP SCREW	1
30	RED-1000-H-0110	RED DEVIL 1000 RPM GEARBOX CLAMP PLATE	1

Refer to Figure 9

Figure 9

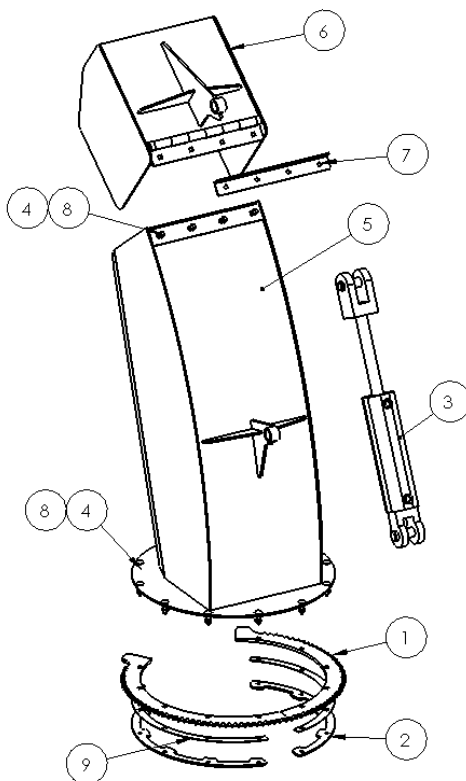


ITEM NO.	PART NUMBER	DESCRIPTION	QTY.
1	REDAUG9N-001	RED DEVIL 9' NOTCHED AUGER WELDMENT	1
2	RED-1000-9AUG-0003	ANSI 80 CHAIN SPROCKET 40 TOOTH	1
3	RED0DTT	3/8"-16 TOP LOCK NUT	4
4	REDB306	3/8"-16 x 1.50" HEX HEAD CAP SCREW	4

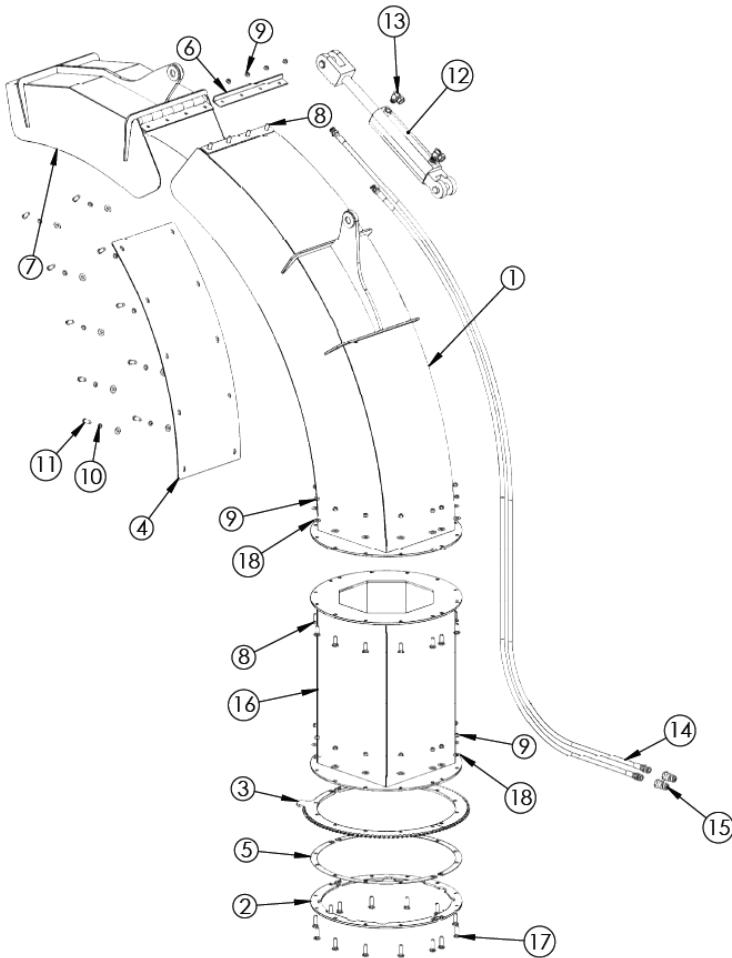


**Optional STANDARD chute
(RED-1000-CH)**

ITEM NO.	PART NUMBER	DESCRIPTION	QTY.
1	RED-1000-CH-0004	CHUTE ROTATION RING GEAR	2
2	RED-1000-CH-0005	1000 RPM CHUTE CLAMP RING	2
3	RED2010111	2X8 DEFLECTOR CYLINDER	1
4	RED0DTT	3/8"-16 TOP LOCK NUT	14
5	RED-1000-CH-000C	RED DEVIL 1000 RPM CHUTE WELDMENT	1
6	RED-1000-CH-000D	RED DEVIL 1000 RPM DEFLECTOR WELDMENT	1
7	RED-1000-CH-0116	RED DEVIL HINGE SHIELD	1
8	RED305K	3/8"-16 x 1.25" CARRIAGE SCREW	14
9	RED1000CH-0240	1000 RPM BLOWER STANDARD CHUTE CLAMP SHIM	2

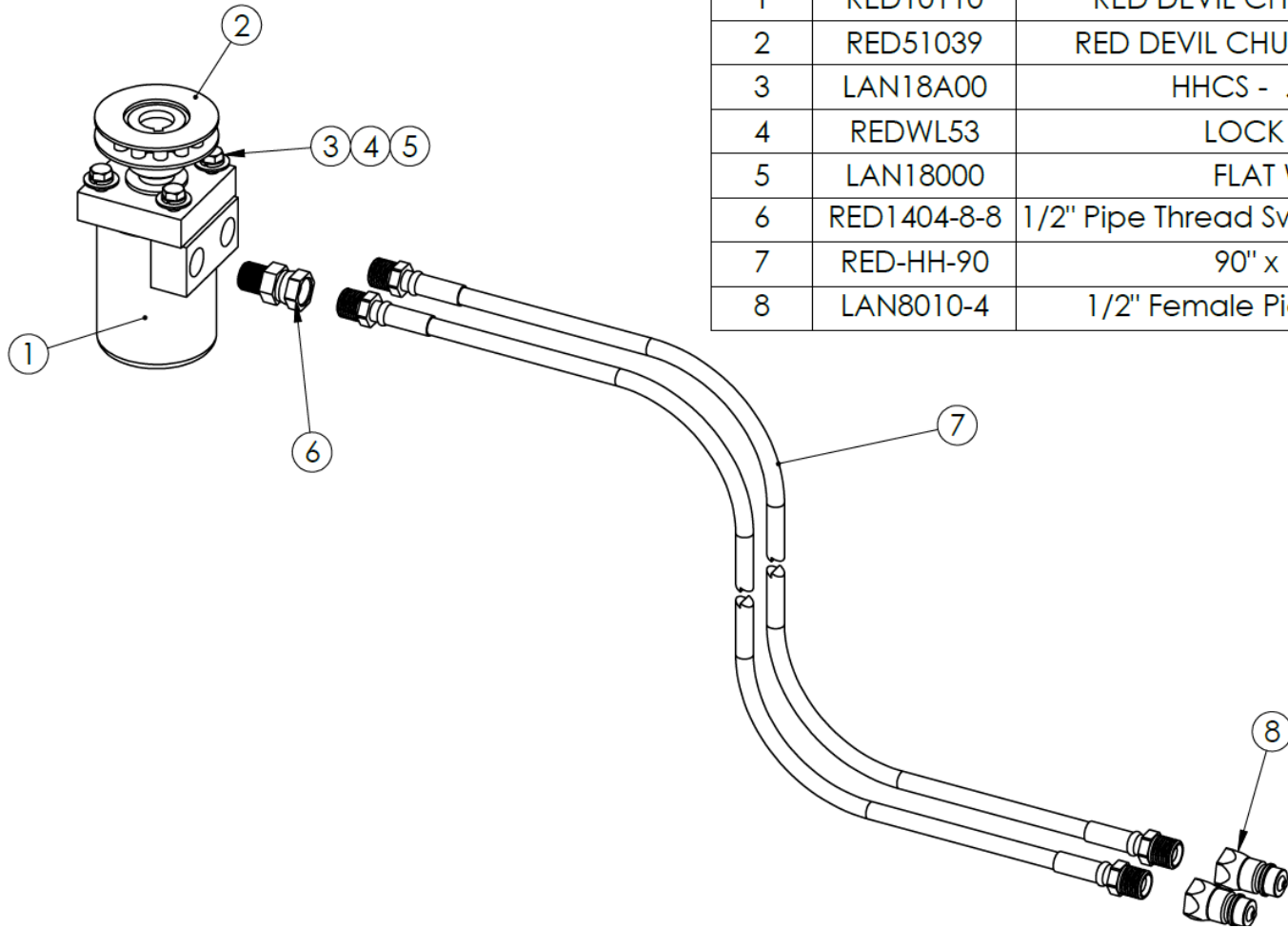


**Optional TRUCK LOADING chute
(RED1000TCH1)**



ITEM NO.	PART NUMBER	DESCRIPTION	QTY.
1	RED1000TCH0005	TRUCK LOADING CHUTE WELDMENT	1
2	RED1000TCH0007	TRUCK LOADING CHUTE CLAMP	2
3	RED1000TCH0008	RED DEVIL TRUCK LOADING CHUTE GEAR	2
4	RED1000TCH0009	TRUCK LOADING CHUTE COVER	1
5	RED1000TCH0011	TRUCK LOADING CHUTE CLAMP SHIM	2
6	RED-1000-CH-0116	RED DEVIL HINGE SHIELD	1
7	RED1000TCH0030	TRUCK LOADING CHUTE DEFLECTOR HINGE WELDMENT	1
8	RED305K	CARRBLT - .375-16 X 1.25	18
9	RED0DTT	TOP LOCK NUT - .375-16, GR. 5	32
10	REDWL53	LOCK WASHER - .375	10
11	LAN18A00	HHCS - .375-16 X 1, GR. 5	10
12	RED2010111	2X8 DEFLECTOR CYLINDER	1
13	RED1501-6-8	3/8" M x 1/2" F 90° Pipe Fitting	2
14	RED-HH-200	200" x 1/4" Hyd Hose	2
15	LAN8010-4	1/2" Female Pioneer Tip - Pipe Thread	2
16	RED1000TCH0012W	TRUCK LOADING CHUTE EXTENSION	1
17	LAN18A32	CARRBLT - .375-16 X 1.5	14
18	LAN18000	FLAT WASHER - .375	42

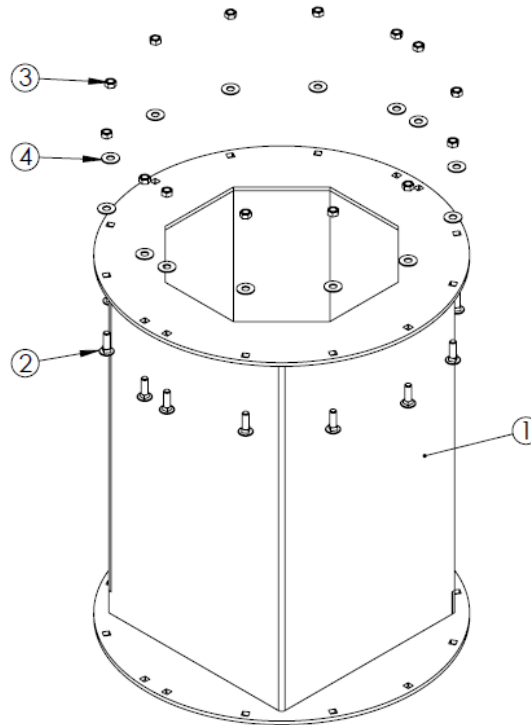
**Hydraulic Chute Rotation
For RED-1000-CH & RED1000TCH1**



ITEM NO.	PART NUMBER	DESCRIPTION	QTY.
1	RED10110	RED DEVIL CHUTE ROTATION MOTOR	1
2	RED51039	RED DEVIL CHUTE ROTATION SPROCKET	1
3	LAN18A00	HHCS - .375-16 X 1, GR. 5	4
4	REDWL53	LOCK WASHER - .375	4
5	LAN18000	FLAT WASHER - .375	4
6	RED1404-8-8	1/2" Pipe Thread Swivel Reducer - 1/32" Orifice	1
7	RED-HH-90	90" x 1/4" Hyd Hose	2
8	LAN8010-4	1/2" Female Pioneer Tip - Pipe Thread	2

**Optional TRUCK LOADING
CHUTE EXTENSION KIT
(RED1000TCH0012)**

ITEM NO.	PART NUMBER	DESCRIPTION	QTY.
1	RED1000TCH0012W	TRUCK LOADING CHUTE EXTENSION	1
2	RED305K	CARRBLT - .375-16 X 1.25	14
3	RED00DTT	TOP LOCK NUT - .375-16, GR. 5	14
4	LAN18000	FLAT WASHER - .375	14



WARNING!
 PORTIONS MARKED  OF THIS DRIVELINE
 ARE NOT GUARDED. THE MACHINE
 MANUFACTURER IS RESPONSIBLE FOR
 PROVIDING GUARDING.

PARTS LIST				N/S= NOT SERVICEABLE
ITEM	QTY.	PART NUMBER	DESCRIPTION	CUSTOMER PART NO.
A	1	93-25537	JOINT & SHAFT HALF ASM. w/GUARD	
B	1	95-25537	JOINT & SHAFT HALF ASM.	
C	1	92-25537	JOINT & TUBE HALF ASM w/GUARD	
D	1	94-25537	JOINT & TUBE HALF ASM.	
1	1	26-15120	SSL/AUTO-LOK REPAIR KIT	
2	2	11-10445	BOLT, 3/8-16 x 1.00 LG., GR. 5	
3	2	11-10035	LOCKNUT, 3/8-16	
4	1	40-20011	BALL SHEAR ASM.	
5	2	03-15214	44E CROSS KIT	
6	1	99-25537	YOKE & SHAFT (1.69-20 SPLINE)	
7	1	97-25537	OUTER GUARD	
8	2	19-15121	GUARD REPAIR KIT	
9	1	13-10021	SAFETY SIGN	
10	1	13-10022	SAFETY SIGN	
11	1	96-25537	INNER GUARD	
12	1	98-25537	YOKE, TUBE & SLP SLEEVE	
13	1	44051-1111	YOKE	

D

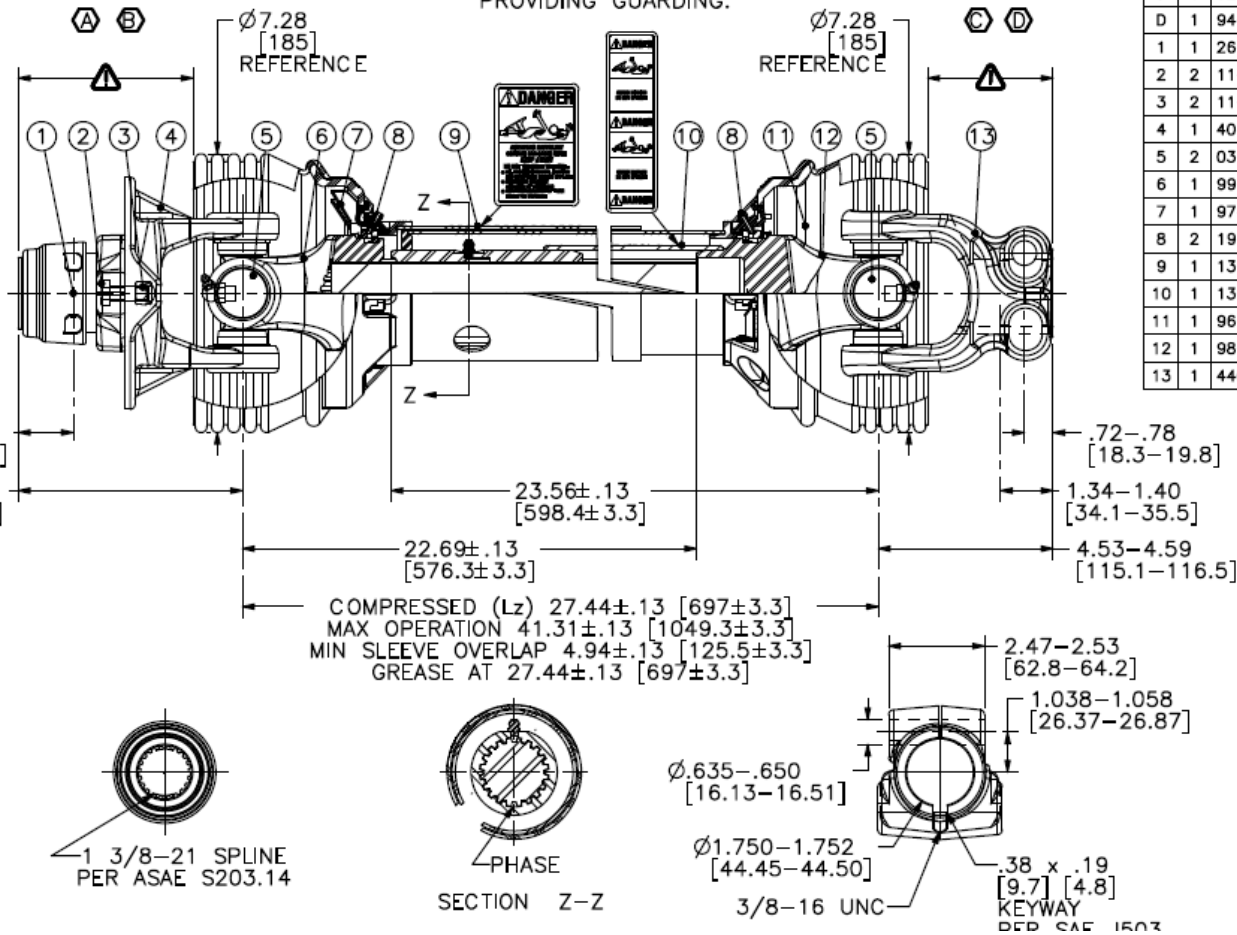
D

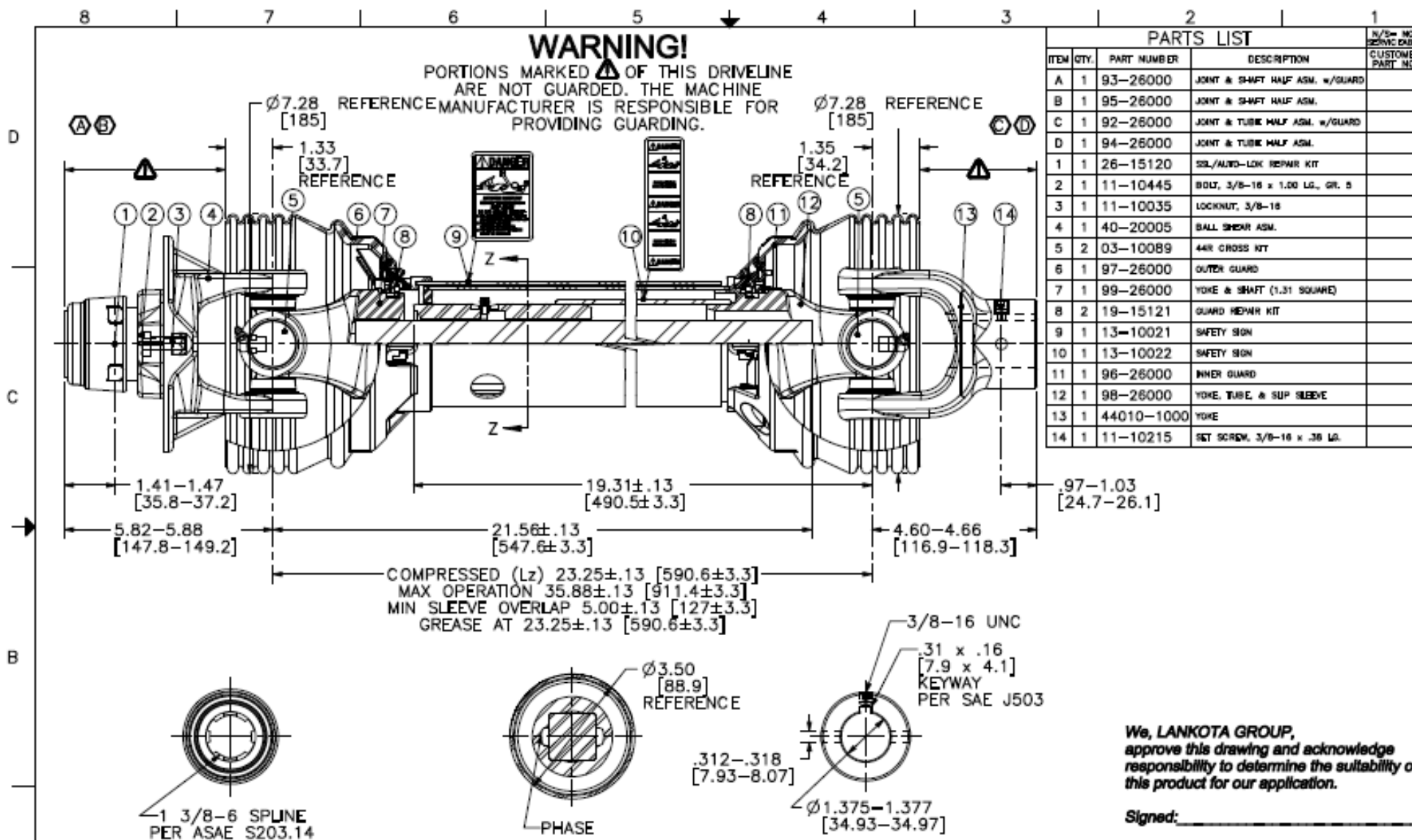
C

C

B

B





We, LANKOTA GROUP,
approve this drawing and acknowledge
responsibility to determine the suitability of
this product for our application.

Signed: _____