

RED2S608

Owner's Manual

8 foot, Skid Steer Mounted Snow Blower

Red Devil

Snow Blowers

Possessed to be the BEST!

270 West Park Avenue
Huron, SD 57350
866-526-5682

Serial Number: _____

Date of Purchase: _____

Red Devil Snow Blower

See Figure 1

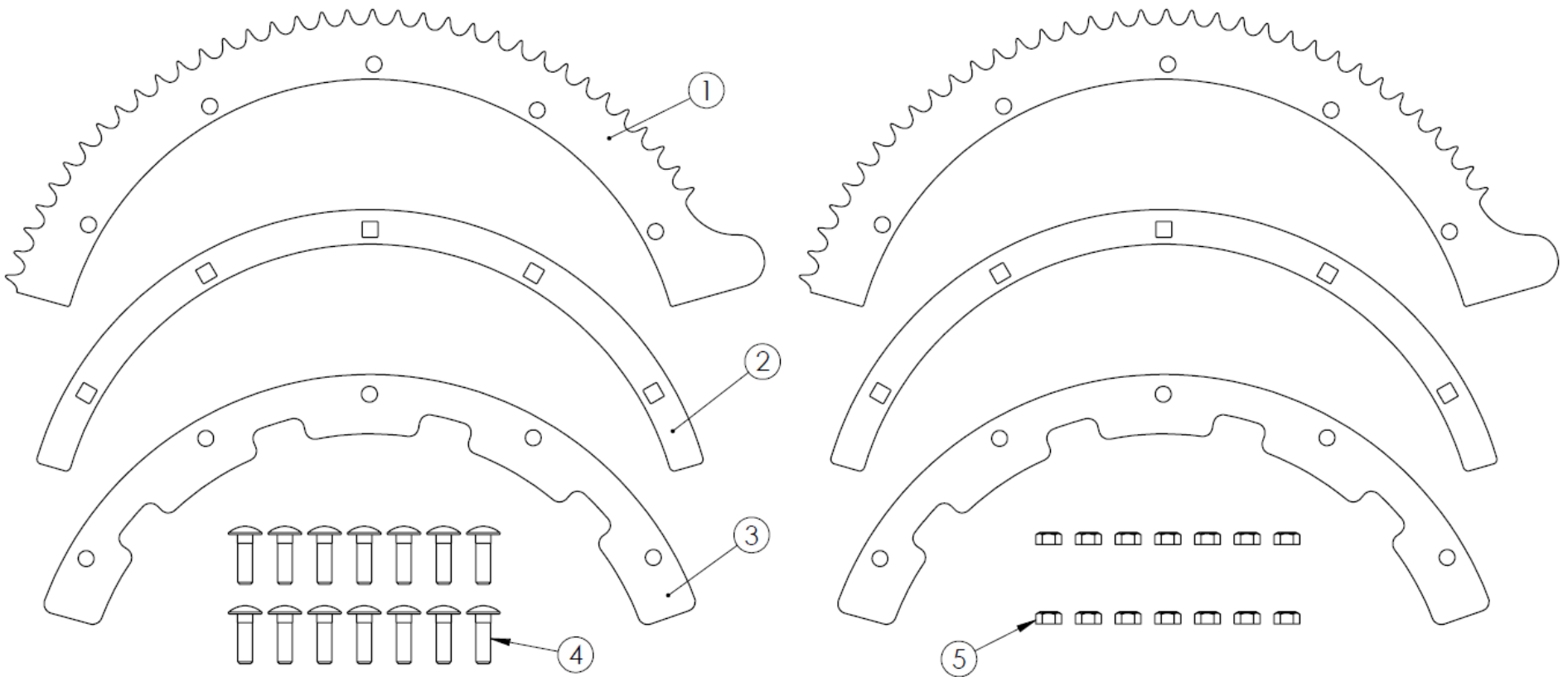
1. The Red Devil Snow Blower will arrive on a pallet as shown.
2. In the accompanying box you will find the following:

Part Numbers	Description	Qty
RED89SH-0004	8 & 9 ft Blower Chute Gear Clamp	2
RED89SH-0005	8 & 9 ft Blower Chute Gear	2
RED89SH1011	8 & 9 ft Blower Chute Clamp Shim	4
Bag of Hardware		1
Electrical Wiring Kit		1



Figure 1

ITEM NO.	PART NUMBER	DESCRIPTION	QTY.
1	RED89SH-0005	RED DEVIL 8' & 9' CHUTE GEAR	2
2	RED89SH1011	8/9 FT BLOWER CHUTE CLAMP SHIM	2
3	RED89SH-0004	RED DEVIL 8' & 9' CHUTE GEAR CLAMP	2
4	RED305K	CARRBLT - .375-16 X 1.25	14
5	RED0DTT	TOP LOCK NUT - .375-16, GR. 5	14



Chute Installation

1. Place and center the chute on the impeller housing flange as shown in Figure 2.
2. Slide one of the chute gears (RED89SH-0005) underneath the chute so that it engages with the hydraulic rotation motor as shown in Figure 3
3. Place one chute gear clamp (RED89H-0004) and two chute clamp shims (RED89SH1011) under the chute gear, align all holes and attach using the 3/8" carriage bolts and 3/8" lock nuts (See Figure 4). Verify that the chute gear is clamped directly to the chute and not the impeller housing flange.
4. Repeat steps 2 & 3 on the other side of the chute.
5. Grease the flange with the zerk installed on the bottom side of chimney flange. Rotate chute as you grease to ensure even grease distribution.
6. Tighten or loosen nuts after greasing to maintain a firm grip that will rotate easily.
7. Slide motor and gear assembly forward to make a tight fit with the chute gear and tighten bolts attaching the motor to the housing as shown in Figure 5.



Figure 2

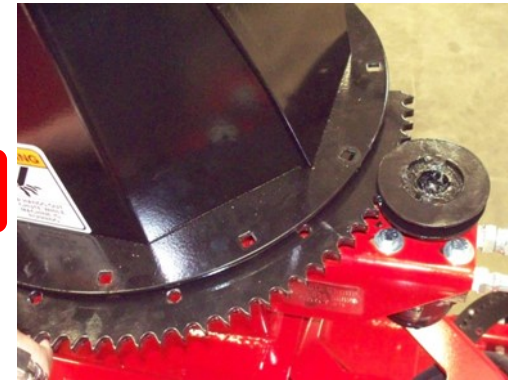


Figure 3

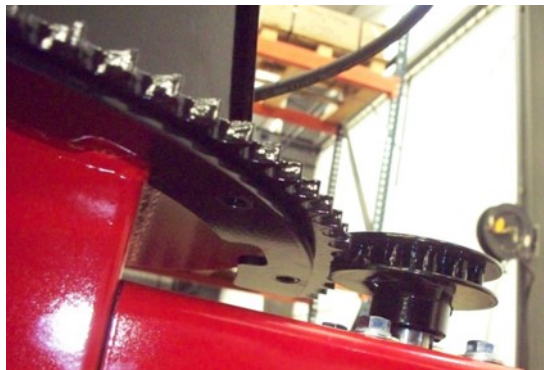


Figure 4



Figure 5

Skid Steer Wiring Installation

- In the wiring kit, there are 2 bags with similar pigtails and pin connectors: a 8-Pin and a 14-Pin. These cover most skid loader makes and models. Determine which connector your skid steer can use and set the other aside. *If yours does not have a receptacle or one that doesn't match the pin connectors provided, skip these steps and go to the Rocker Switch Installation.*
1. Either consult your skid loader owner's or use a test light to determine which pins in the skid loader connect with the switches in the cab and which pin is ground.
 2. Assemble the pin connector with what you learn. As long as the ground (black) pin is placed correct, the other 4 wires can be mixed around.



Figure 6



Figure 7



Figure 8

Skid Steer Wiring Installation - Rocker Switches

Use these instructions if the 8-Pin and 14-Pin connectors will not work on your skid loader.

The switches may be located in the provided switch plates, or in available switch knockouts in the skid steer. The below instructions show a typical skid steer installation. Location details will vary between makes and models.

1. Insert two momentary switches (REDRS1093) into the upper cab panel (Figures 9 & 10).
2. Attach the one of the short red wires from RED56WIR-4 to the middle post of a momentary switches. (The momentary switches are identical.) Then attach the blue wire and the white wire of harness RED56WIR-3 to the same switch, one on either side of the red wire (Figure 11). This will be your chute rotation motor switch.
3. Attach the other short red wire from RED56WIR-4 to the middle post of the second momentary switch. Then attach the green wire and brown wire of harness RED56WIR-3 to the switch, one on each side of the red wire (Figure 12). This will be your deflector control switch.
4. Connect the free end of the Red wire (RED56WIR-4) to the power wire on the skid loader and the free end of the Black wire of harness (RED56WIR-3) to a ground wire on the skid loader (Figure 13).



Figure 9



Figure 10

Skid Steer Wiring Installation - Rocker Switches

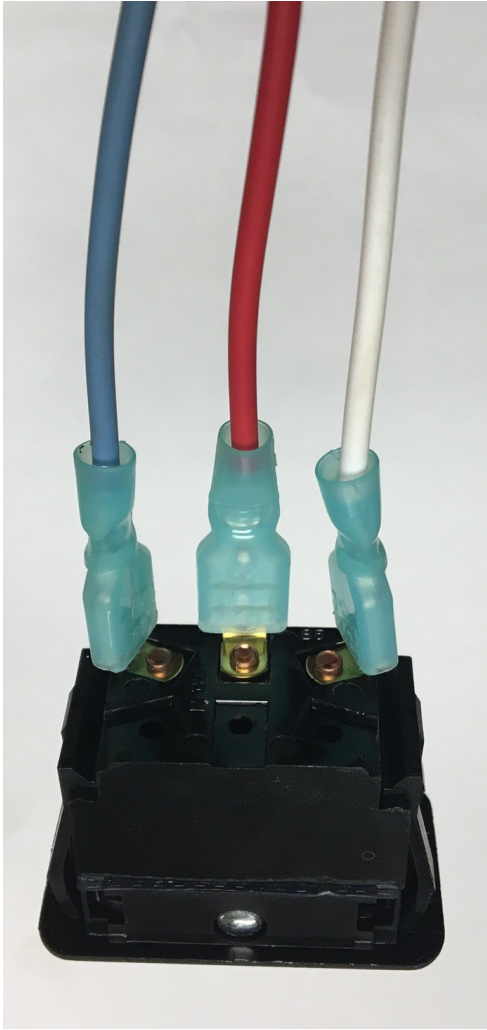


Figure 11

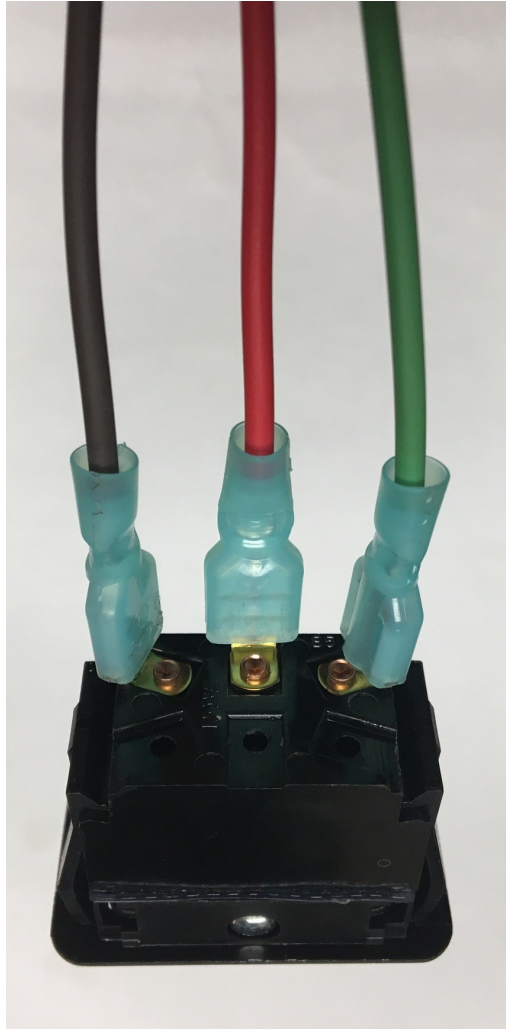
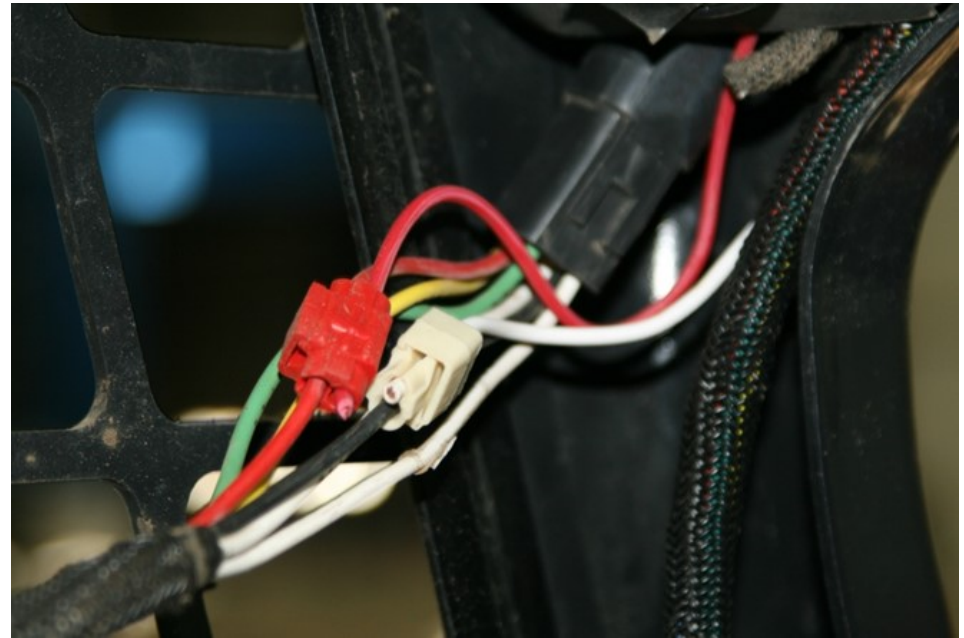


Figure 12

Figure 13



Skid Steer Wiring Installation - Solenoid Connections

1. Connect the 4 connectors shown in Figure 15 and labeled 1-4 to the solenoid receptacles in the hydraulic block of Figure 14.
2. Pair connector 1 with 2 and 3 with 4 on the solenoids.

Note: Reconfiguring which ports or solenoids the connectors mate with will depend on your preference. Switching upper and lower ports within a pair (ex. 1 & 2) will reverse the switch direction in the cab. Swapping the pairs with each other (1 & 2 with 3 & 4) will change what a switch in the cab controls (chute rotation or deflector).

3. Connect the female end of the harness to either the pin connector harness or the rocker switch harness.

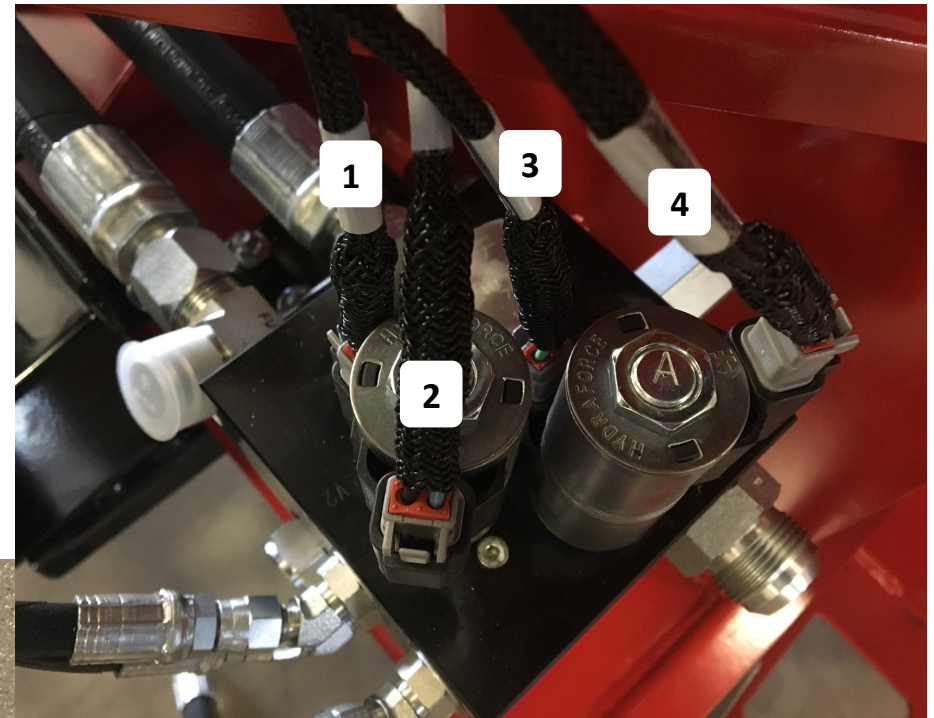


Figure 14



Figure 15

Skid Steer Hydraulic Fitting Installation

- This snow blower comes without a set of male and female flat face quick connect couplers. A set of fittings will need to be purchased. Which size depends on the skid steer that will be using this snow blower. See skid steer owners manual.
- The hoses on the blower have 1-1/16" ORB ends crimped on, but a 1-1/16" x 3/4" adapter is included to connect smaller coupler sets, as shown in Figure 16.
- Use the lines below to determine which hose receives the male and female fittings. **The blower will not function if the fittings are backwards.**

Figure 16

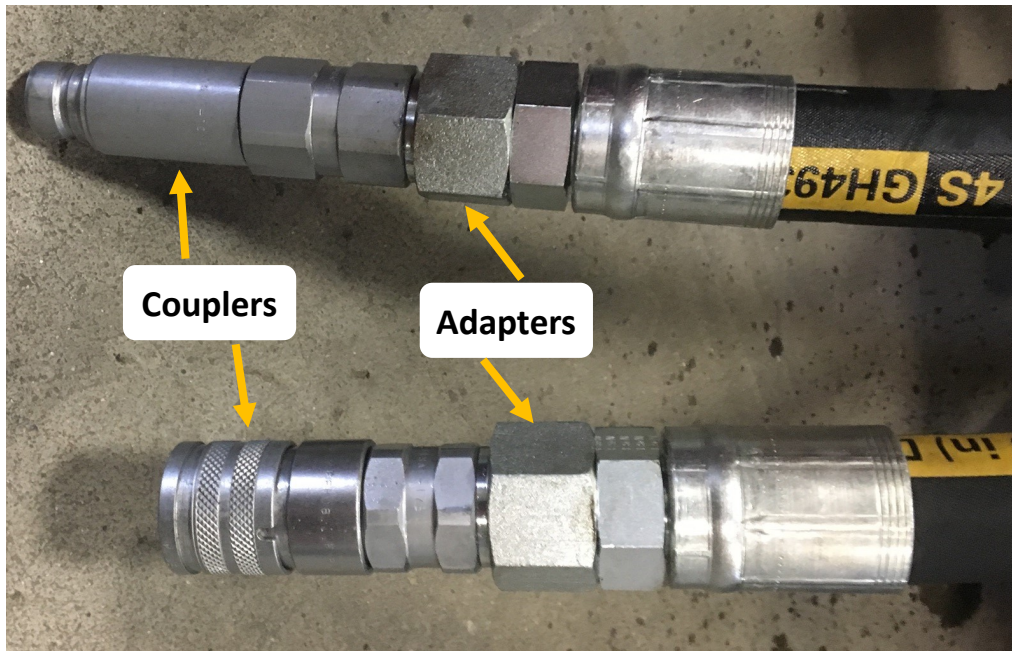


Figure 17

Red Devil Serial Number

- A stainless steel serial number tag is located on the bracket that holds the Chute Rotation Motor.
- This serial number is required for product registration and is needed for all warranty issues. (As shown in Figure 18)

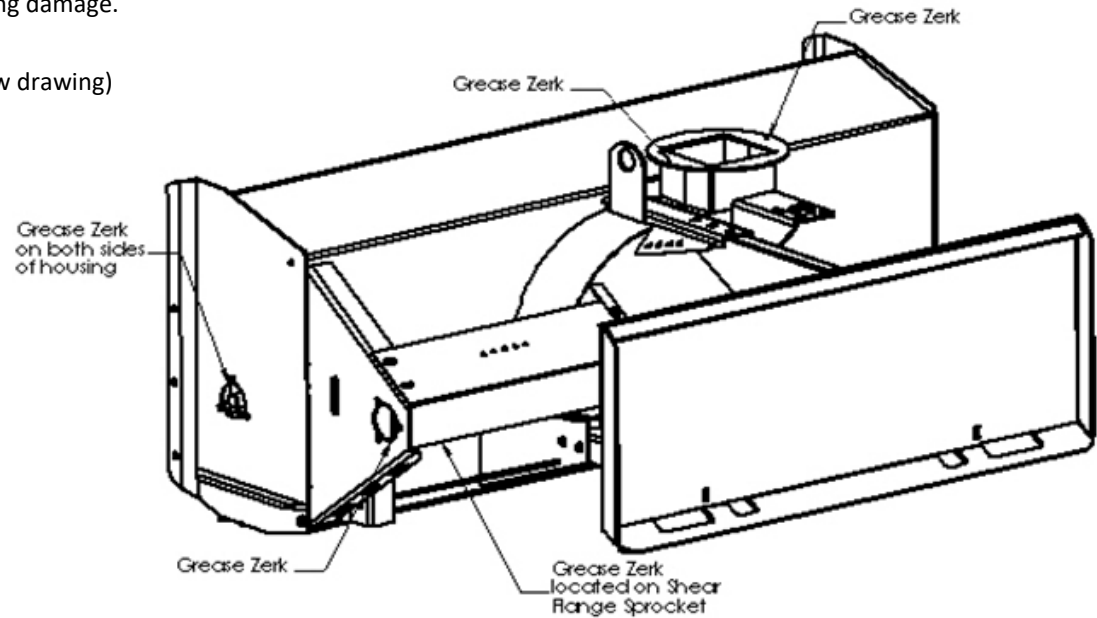
Figure 18



Preliminary Check

MAKE SURE PTO IS DISENGAGED, ENGINE IS SHUT OFF AND KEYS ARE REMOVED

- Visually check the shipping pallet and packaging for any shipping damage.
- Unpack the snow blower from the shipping pallet.
- Grease all of the grease zerks on your snow blower. (See below drawing)
 - ◇ One on each end of the auger outer bearing holder.
 - ◇ One on the cross drive outer bearing holder.
 - ◇ One on the shear flange sprocket.
 - ◇ Two on chute rotation.



- Check the chain tension. Adjust idler sprocket if needed.
- Check the gear box oil level by removing the fill plug and checking for 9 ounces of oil.
- Make sure the chute rotation mechanism is working freely.
- Make sure the deflector mechanism is working freely.
- Make sure the impeller and auger are free of foreign objects.
- Make sure all decals and safety signs are clean and readable.
- Make sure all safety shields are in place and in good condition.
- Make sure driveline shield spins freely.
- Make sure the drive line is the proper length for your 3-Point setup.
- Make sure all nuts, bolts, and pins are tightened and secure in place.
- Make sure the hydraulics are in good working condition by testing each function and checking for leaks.

Use Synthetic 80/90 Gear Oil In Gear Box

OPERATING THE SNOW BLOWER

- Make sure the impeller and auger are free of any loose objects.
- Check to see that all the shields and guards are in place and in good condition.
- Lubricate the snow blower before and after every use.
- After starting the engine, engage the PTO.
- Ease the blower slowly into the snow.
- When clearing deep snow you may have to take more than one cut, starting at the top of the drift. Remember to disengage the PTO when raising the snow blower.
- Stop the blower's motion and allow all snow to pass through the snow blower before turning off.
- Shallow snow can normally be cleared in one pass, depending on the density of the snow and the available horsepower.

DO NOT BULLDOZE – THE BLOWER WAS NOT DESIGNED FOR BULLDOZING

- The most effective method of dispensing snow is to blow the snow as high as possible downwind, if room permits.
- The chute deflector will allow you to adjust the height that the snow is thrown.
- Reducing the PTO RPM will reduce the distance the snow is thrown.
- You can change the direction of the snow being thrown by using the hydraulic chute rotation controls. Always be aware of where you are throwing the snow.
- Your snow blower has Manual deflector control.
- DO NOT throw the snow toward buildings, livestock, the tractor or any other object that may be damaged.
- DO NOT change the chute direction or adjust the deflector while snow is being discharged. This may cause damage to both the chute and deflector.
- DO NOT use hydraulic controls until you insure that the chute moves freely. Damage to chute and controls may occur.

OPERATION SAFETY

- Disengage PTO, stop engine, and remove the engine key whenever you leave the equipment seat.
- Disengage PTO, stop engine, and remove the engine key after striking a foreign object. Thoroughly inspect the blower before restarting unit.
- Disengage PTO, stop engine, and remove the engine key before attempting to service your snow blower or unplugging the impeller and chute.
- Do not rotate the chute so that discharge material will be directed toward people, your tractor, or any other object that could be damaged.
- Rotating components can catch feet, hands, and loose clothing. Stand clear of all moving parts.
- Do not climb or step on or over the snow blower for any reason.
- Never operate the snow blower in bad light or poor visibility.
- Disengage the PTO while raising, lowering, and transporting the snow blower.
- Make sure to read and understand every safety sign on your machine.
- Stay clear of the blower at all times while the PTO is engaged.
- Do not bulldoze. Let the machine throw the snow.
- Be aware of your surroundings and know the area you are removing the snow from.
- Do not allow anyone to ride on the snow blower at any time.
- Keep all shields in place and safety equipment intact.

Red Devil Statement of Limited Warranty

Red Devil warrants its new products to be free from defects in material and workmanship for a period of one (1) year following the date of purchase by the retail purchaser.

Red Devil warrants genuine Red Devil replacement parts and components to be free from defects in material and workmanship for a period of ninety (90) days following the date of purchase or the remainder of the original equipment warranty period, whichever is longer. Red Devil's obligation under these warranties shall be limited to repairing or replacing, free of charge to the original purchaser, any part that, in Red Devil's judgment, shows evidence of such defect

Limitations to Warranty

This warranty does not cover:

- 1) Warranty claims directly resulting from improper installation of the product.
- 2) Any product damaged by accident, abuse, misuse, or negligence after shipment from Red Devil.
- 3) Any unauthorized product alteration or modification.
- 4) Any unauthorized repairs made with parts other than genuine Red Devil parts.
- 5) Any repairs performed by anyone other than Red Devil or an authorized Red Devil dealer unless specifically authorized by Red Devil.
- 6) Snow Blower Fan Shafts.
- 7) Snow Blowers being used on a rental basis.

Warranty Procedure

Warranty registration form must be filled out and returned to Red Devil to validate all future warranty claims.

- 1) Troubleshooting should be done between end user/dealer and Red Devil through our technical assistance @ 866-526-5682.
- 2) Labor reimbursement will occur only when pre-arranged through Red Devil's technical assistance. Lankota will reimburse labor based on it's current shop rate completed within a reasonable time using Red Devil's judgment.
- 3) There is no mileage reimbursement.
- 4) Diagnostic time will not be reimbursed except in pre-arranged circumstances.
- 5) Warranty claims should be on typical dealer service work order with a number and name to be attached for any future correspondence.
- 6) All warranty work must be performed and claims submitted within thirty (30) days of the occurrence of the claim and within the warranty period.
- 7) All parts removed during warranty repair should be held for a period of thirty (30) days after the warranty claim has been submitted to Red Devil.
- 8) Red Devil reserves the right to either inspect the product at the original retail purchaser's location or require it to be returned to Red Devil for inspection.

Limitation of Liability

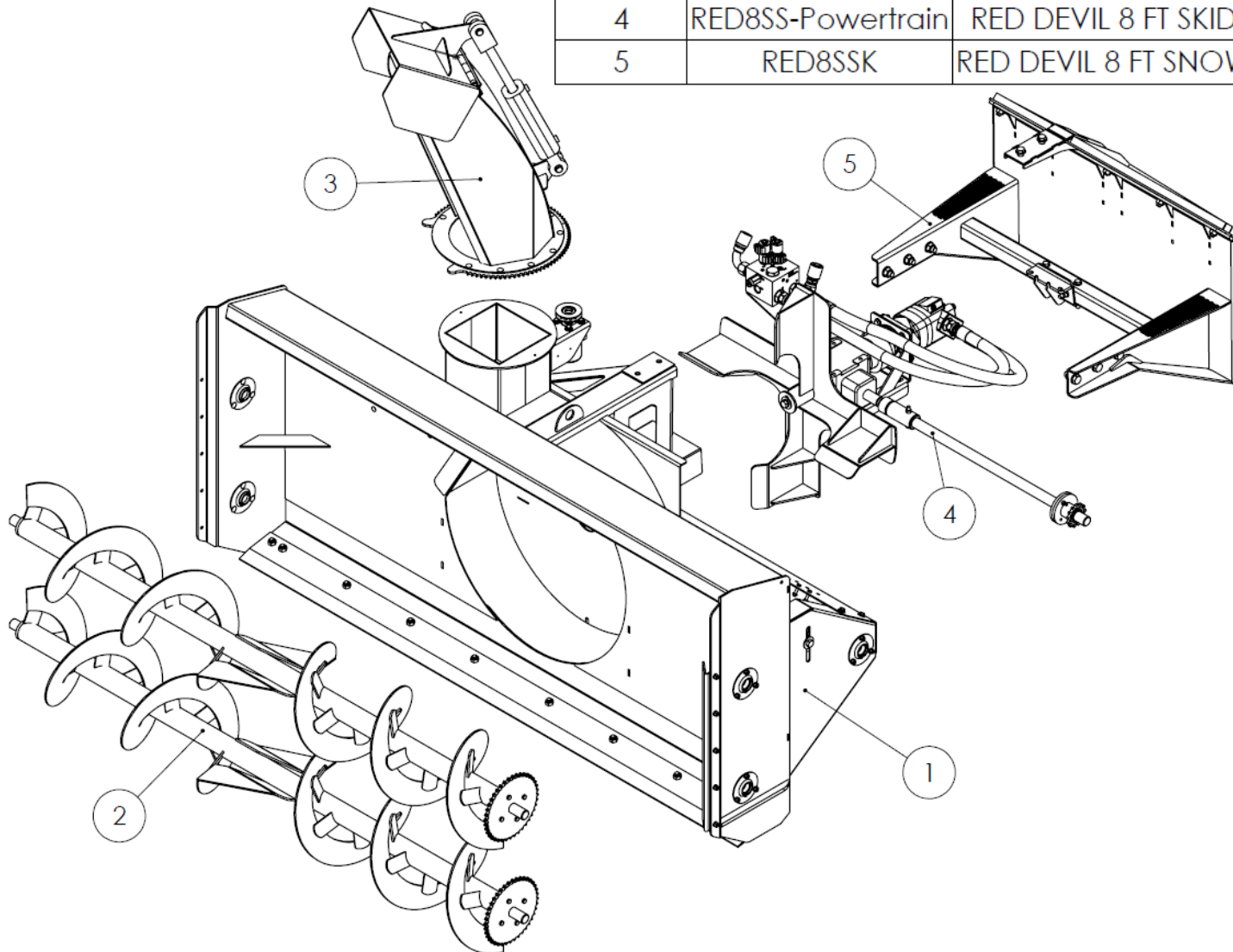
Red Devil makes no express warranties other than those, which are specifically described herein. Any description of the goods sold hereunder, including any reference to buyer's specifications and any descriptions in circulars and other written material published by Red Devil is for the sole purpose of identifying such goods and shall not create an express warranty that the goods shall conform to such description.

THIS WARRANTY IS EXPRESSLY IN LEU OF ALL OTHER WARRANTIES EXPRESSED OR IMPLIED. There are no warranties of merchantability or fitness of a particular purpose. This warranty states Red Devil's entire and exclusive liability and buyer's exclusive remedy or any claim for damages in connection with the sale of furnishing of Red Devil products, their design, suitability for use, installations or operation, or for any claimed defects herein. RED DEVIL WILL IN NO EVENT BE LIABLE FOR ANY INCIDENTAL OR CONSEQUENTIAL DAMAGES WHATSOEVER, NOT FOR ANY SUM IN EXCESS OF THE PRICE RECEIVED FOR THE GOODS FOR WHICH LIABILITY IS CLAIMED.

No representative of Red Devil nor any dealer associated with Red Devil has the authority to change the items of this warranty in any manner whatsoever, and no assistance to purchase by Red Devil in the repair of operation of any Red Devil product shall constitute a waiver of the conditions of this warranty, nor shall such assistance extend or revive it. Lankota reserves the right to make improvements in design or changes in specifications at any time, without incurring any obligation to owners of units previously sold.

Parts Book

ITEM NO.	PART NUMBER	DESCRIPTION	QTY.
1	RED8H	8 FT SNOW BLOWER HOUSING ASSEMBLY	1
2	RED8AUG	RED DEVIL 8' AUGER	2
3	RED89SH	RED DEVIL 8' & 9' CHUTE ASSEMBLY	1
4	RED8SS-Powertrain	RED DEVIL 8 FT SKID STEER POWERTRAIN	1
5	RED8SSK	RED DEVIL 8 FT SNOW BLOWER SS MOUNT	1



ITEM NO.	PART NUMBER	DESCRIPTION	QTY.
1	RED8H1001	8 FT SNOW BLOWER HOUSING	1
2	RED89H-SKIDS	RED DEVIL SKID SHOE WELDMENT	3
3	REDW742	SKID SHOE PIN	3
4	RED8H-0001D	RED DEVIL 8' BOLT ON CUTTING EDGE	1
5	RED32712	BEARING HOLDER 1-3/8" BEARING	5
6	RED32710	1-3/8" BEARING ASSEMBLY	5
7	RED32711	BEARING HOLDER W/ ZERK 1-3/8" BEARING	5
8	LAN18A	CARRBLT - .375-16 X 1	20
9	RED706K	CARRBLT - .625-11 X 1.5	10
10	LANFXG26	CARRBLT - .312-18 X .75	3
11	REDWL53	LOCK WASHER - .375	28
12	REDNAF3	HEX NUT - .375-16, GR. 5	20
13	REDKRJF	TOP LOCK NUT - .625-11, GR. 5	11
14	REDKRJ8	TOP LOCK NUT - .312-18, GR. 5	6
15	RED0DTT	TOP LOCK NUT - .375-16, GR. 5	2
16	LAN3726000	HHCS - .625-11 X 4, GR. 5	1
17	LAN18A00	HHCS - .375-16 X 1, GR. 5	10
18	REDB206	HHCS - .312-18 X 1.5, GR. 5	3
19	LAN26000	FLAT WASHER - .625	19
20	LAN18000	FLAT WASHER - .375	10
21	RED10110	RED DEVIL CHUTE ROTATION MOTOR	1
22	RED01-315C	MANUAL HOLDER CANISTER	1
23	RED51039	RED DEVIL CHUTE ROTATION SPROCKET	1
24	RED8S0001	8 FT BLOWER SHEAR FLANGE SHIELD	1
25	RED89S0011	8/9 FT SNOW BLOWER CHAIN GUARD	1
26	RED034-6015	15 TOOTH IDLER SPROCKET	1
27	RED-43699	RED DEVIL 8' & 9' PTO SHIELD	1
28	LAN60-115	#60 RC FOR RED2X608/RED23609	1
29	RED20GASHIM	8/9' SNOW BLOWER GEARBOX SHIM	6

Refer to Figures 19 & 20

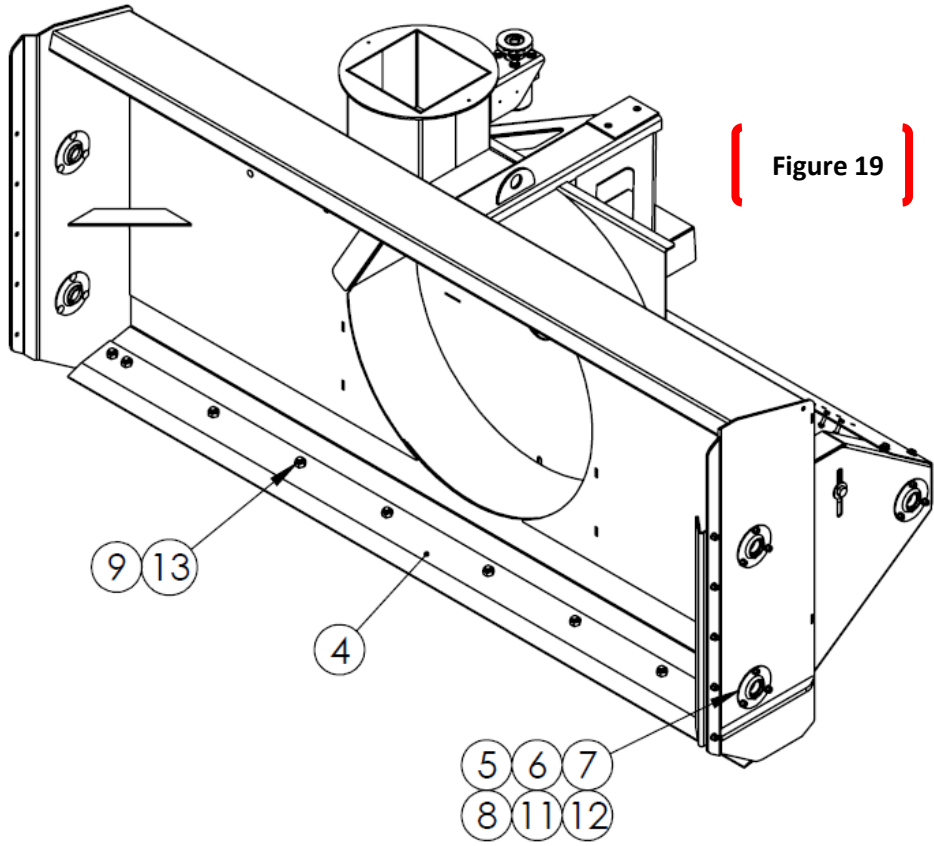


Figure 19

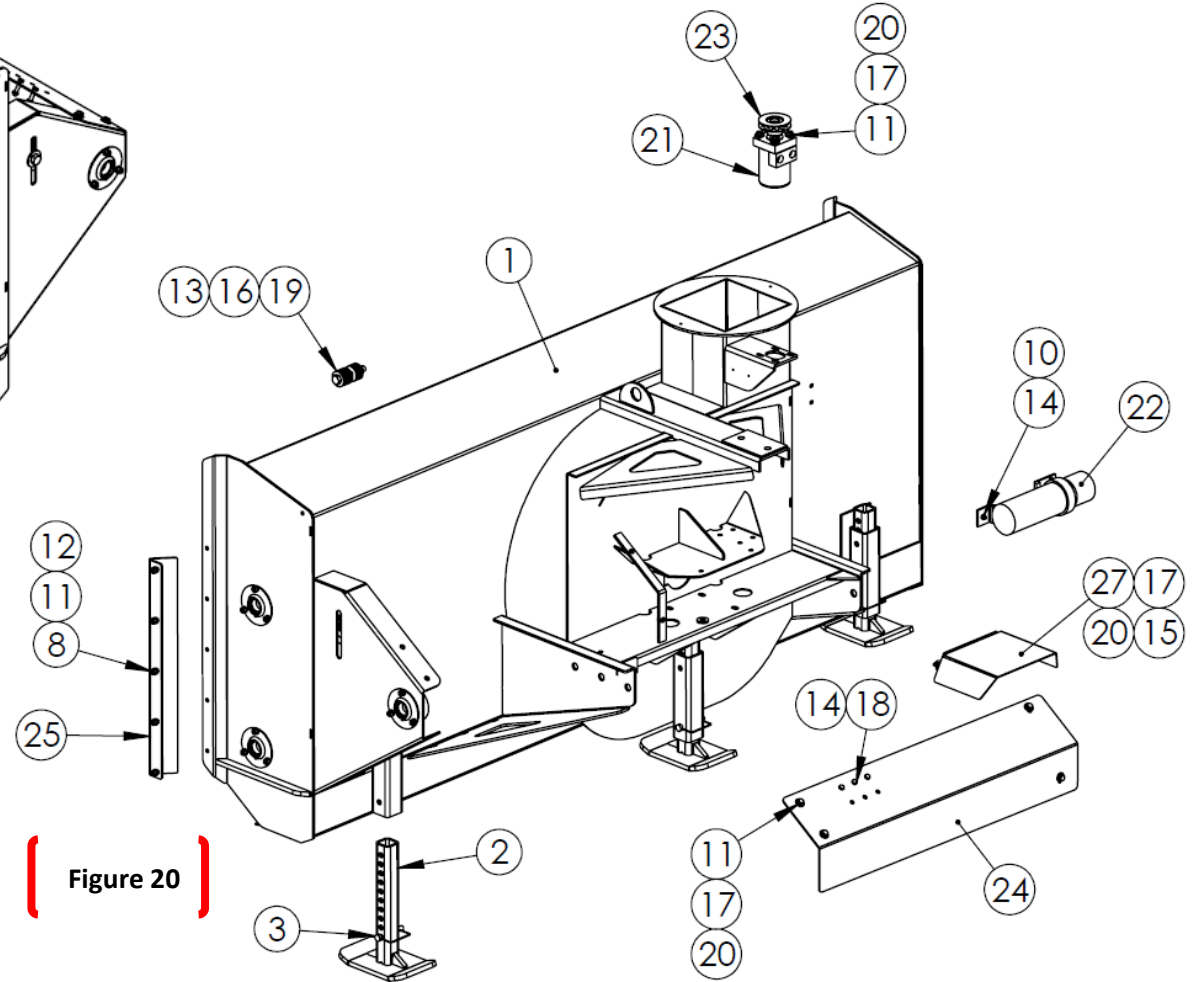
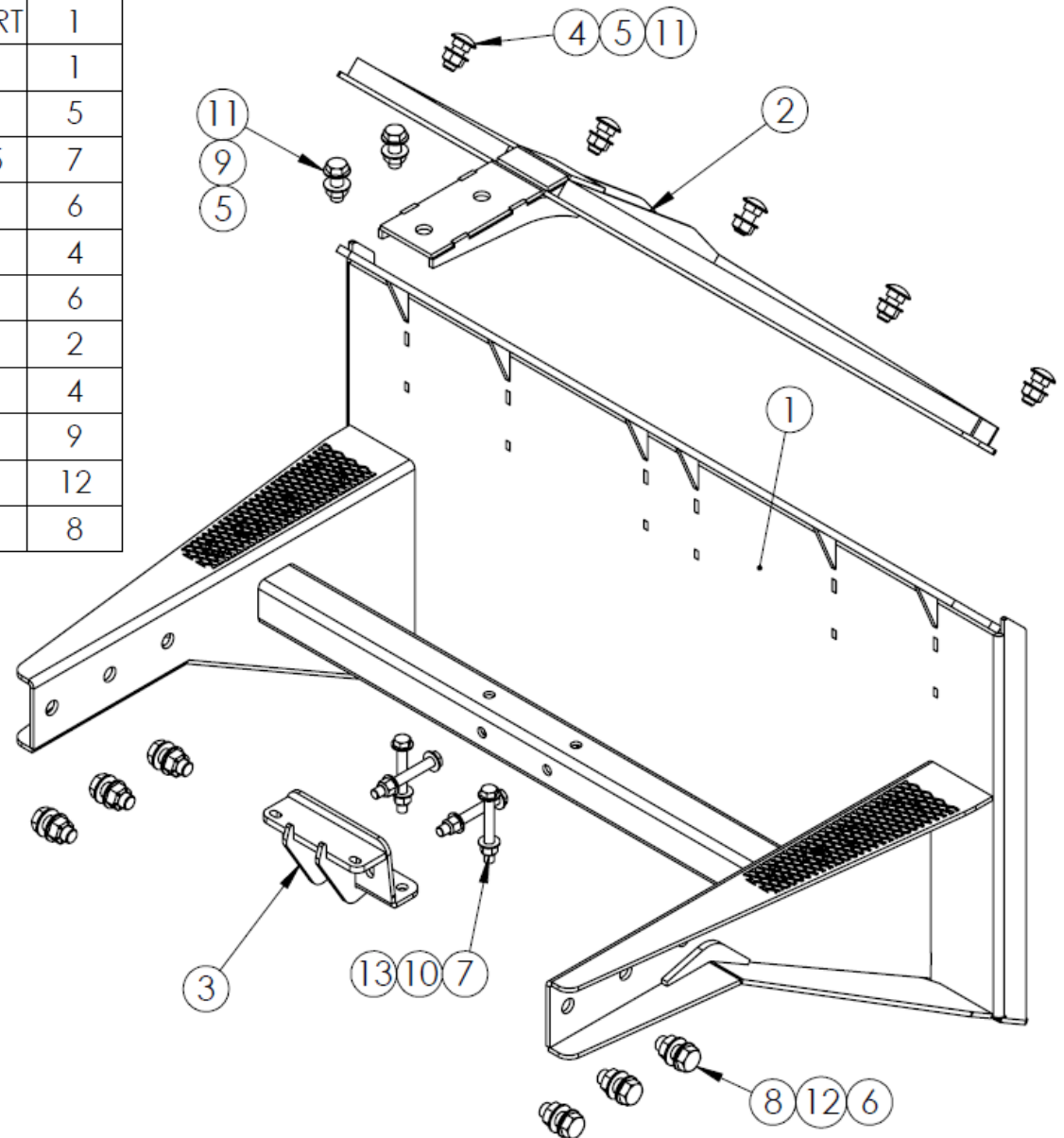


Figure 20

Parts Book

ITEM NO.	PART NUMBER	DESCRIPTION	QTY.
1	RED8SS01	8 FT SS BLOWER MOUNT PLATE	1
2	RED8SS02	8 FT SS BLOWER MOUNT SUPPORT	1
3	RED8SS03	HYDRAULIC MOTOR SUPPORT	1
4	RED706K	CARRBLT - .625-11 X 1.5	5
5	REDKRJF	TOP LOCK NUT - .625-11, GR. 5	7
6	REDKRJG	TOP LOCK NUT - .75-10, GR. 5	6
7	LANI137030	NYLOC NUT - .5-13, GR. 5	4
8	REDB807	HHCS - .75-10 X 1.75, GR. 5	6
9	REDB707	HHCS - .625-11 X 1.75, GR. 5	2
10	LANFB516	HHCS - .5-13 X 4, GR. 5	4
11	LANFWS57	SAE FLAT WASHER - .625	9
12	LANFWS58	SAE FLAT WASHER - .75	12
13	LANFWS55	SAE FLAT WASHER - .5	8



ITEM NO.	PART NUMBER	DESCRIPTION	QTY.
1	RED926780110	POWER SYSTEMS GEARBOX FOR 8/9 FT BLOWERS	1
2	RED896IMP	8/9 FT BLOWER IMPELLAR	1
3	RED32858	SHEAR FLANGE COUPLER - 8/9 FT BLOWERS	1
4	RED8SE	RED DEVIL 8' SHEAR FLANGE SHAFT	1
5	112-1308-006	8 FT SS HYDRAULIC MOTOR	1
6	RED8SS1001	8 FT SS BLOWER HYD MOTOR MOUNT	1
7	RED8SS1002	8 FT SS MOTOR MOUNT SPACER	2
8	RED17VALVE	HYD VALVE - PS-00315-VVA-01 REV 1	1
9	RED8SS1003	8 FT SKID STEER VALVE MOUNT	1
10	RED10BX	3/8" X 2" SQUARE KEY STOCK	1
11	RED89SS-C1	SPROCKET COUPLER 1.50" BORE 18T 60#	1
12	RED89SS-C3	#60-2 ROLLER CHAIN	1
13	RED89SS-C4	SPROCKET COUPLER 1.50" BORE 18T 60#	1
14	REDB204	HHCS - .312-18 X 1, GR. 5	3
15	LAN18A00	HHCS - .375-16 X 1, GR. 5	4
16	REDB412	HHCS - .438-14 X 3, GR. 5	1
17	REDB508	HHCS - .5-13 X 2, GR. 5	4
18	REDB706	HHCS - .625-11 X 1.5, GR. 5	1
19	RED0DTT	TOP LOCK NUT - .375-16, GR. 5	4
20	RED4GD0	TOP LOCK NUT - .438-14, GR. 5	1
21	RED1F30	TOP LOCK NUT - .5-13, GR. 5	4
22	REDWL52	LOCK WASHER - .312	3
23	REDWL57	LOCK WASHER - .625	1
24	LAN18000	FLAT WASHER - .375	4
25	LAN26000	FLAT WASHER - .625	1
26	LANFWS55	SAE FLAT WASHER - .5	4
27	LANF021N	SERR FLNG BOLT - 0.50-13 x 2.00, Gr 5	4
28	-	1" HYDRAULIC HOSE ASSEMBLY	1
29	-	STRAIGHT - #16 MALE JIC TO #16 MALE ORB	4
30	-	TEE - #16 MALE JIC TO #16 FEMALE JIC	1
31	-	STRAIGHT - HY #16 HOSE END TO #16 FEMALE JIC	1
32	-	STRAIGHT - #16 MALE JIC TO #12 MALE ORB	1
33	-	90 - HY #16 HOSE END TO #16 FEMALE JIC	1

Refer to Figure 21

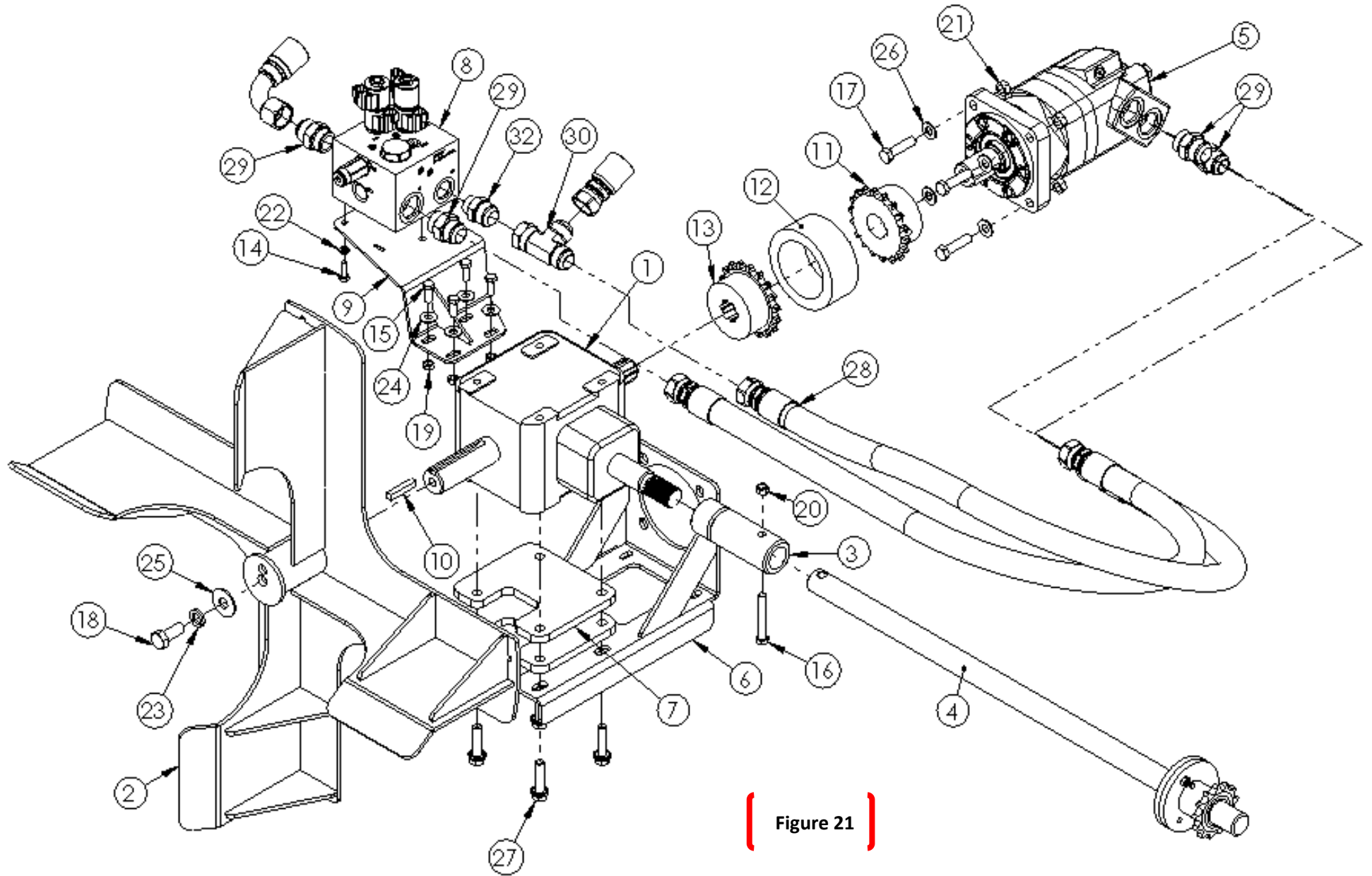
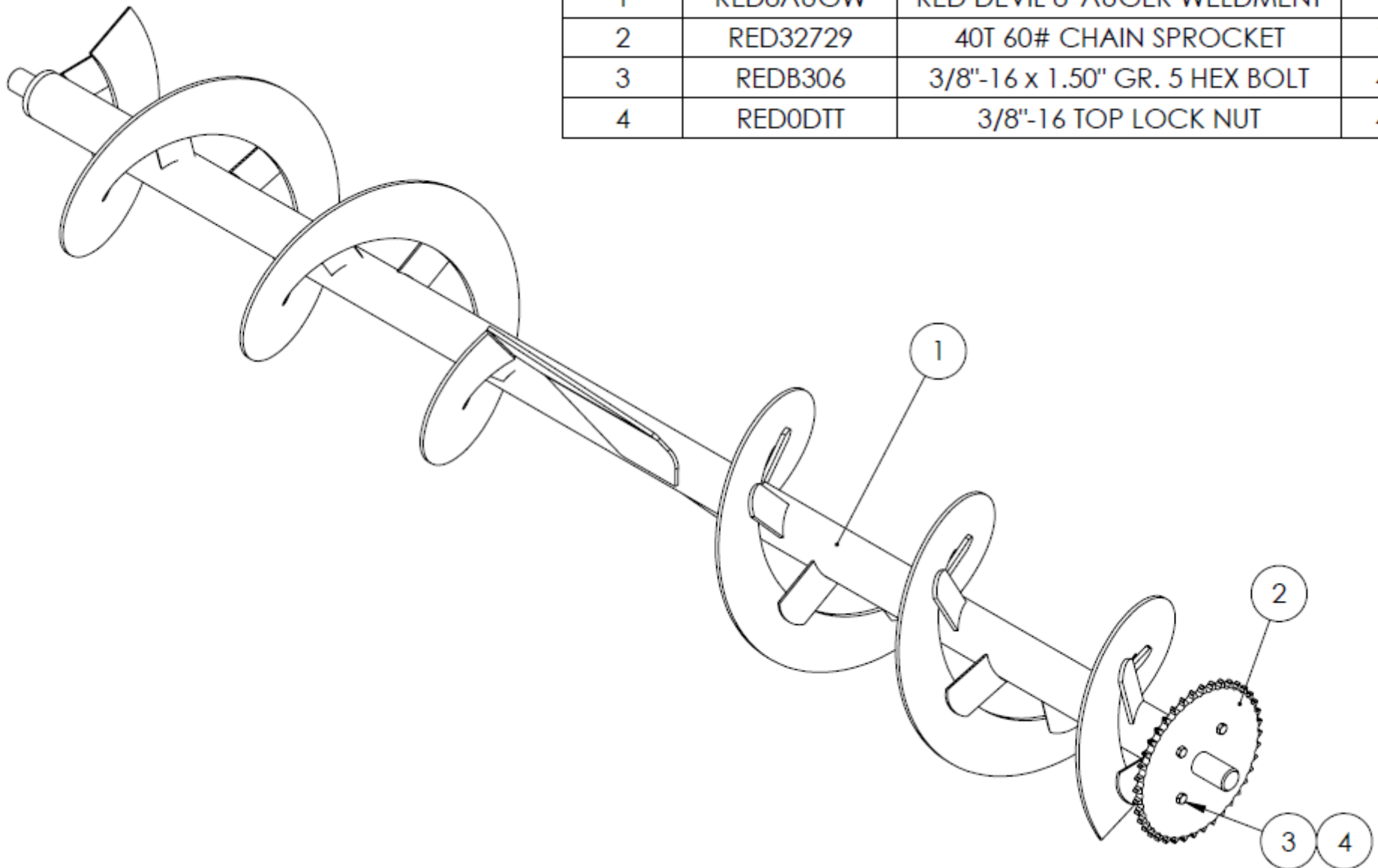


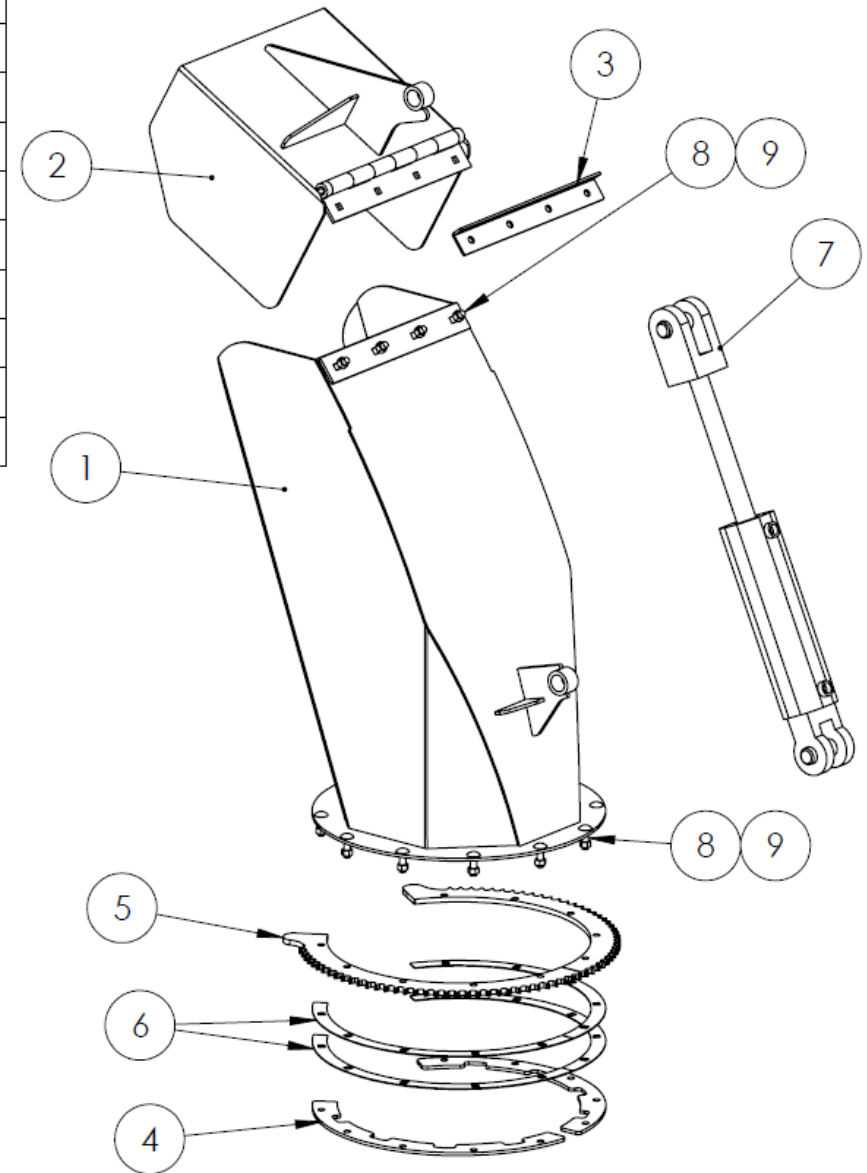
Figure 21

ITEM NO.	PART NUMBER	DESCRIPTION	QTY.
1	RED8AUGW	RED DEVIL 8' AUGER WELDMENT	1
2	RED32729	40T 60# CHAIN SPROCKET	1
3	REDB306	3/8"-16 x 1.50" GR. 5 HEX BOLT	4
4	RED0DTT	3/8"-16 TOP LOCK NUT	4



Parts Book

ITEM NO.	PART NUMBER	DESCRIPTION	QTY.
1	RED89SH-000C	RED DEVIL 8' & 9' CHUTE WELDMENT	1
2	RED89SH-000D	RED DEVIL 8' & 9' DEFLECTOR WELDMENT	1
3	RED-1000-CH-0116	RED DEVIL HINGE SHIELD	1
4	RED89SH-0004	RED DEVIL 8' & 9' CHUTE GEAR CLAMP	2
5	RED89SH-0005	RED DEVIL 8' & 9' CHUTE GEAR	2
6	RED89SH1011	8/9 FT BLOWER CHUTE CLAMP SHIM	4
7	RED2010111	2X8 DEFLECTOR CYLINDER	1
8	RED305K	3/8"-16 x 1.25" CARRIAGE SCREW	14
9	RED0DTT	3/8"-16 TOP LOCK NUT	14



Parts Book - Electrical Kit

ITEM NO.	PART NUMBER	DESCRIPTION	QTY.
1	REDWIRE001	HYDRAULIC SOLENOID BLOCK HARNESS	1
2	REDWIRE002	11' CAB EXTENSION HARNESS	2
3	REDWIRE003	IN CAB POWER & SWITCH HARNESS	1
4	REDWIRE004	BAG OF TWO MOMENTARY SWITCHES	1
5	REDWIRE005	14 PIN SKID STEER CONNECTOR KIT	1
6	REDWIRE006	8 PIN SKID STEER CONNECTOR KIT	1

