

# **LANTH21403**

## **Installation Instructions**

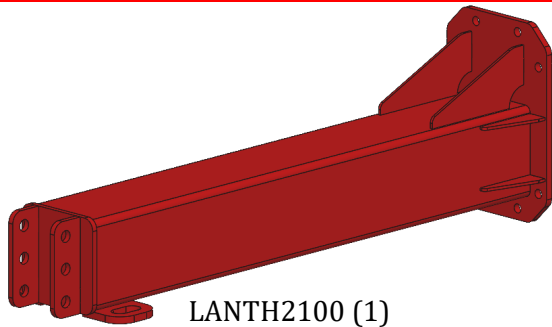
**Rear Trailer Hitch for CIH 1250 & 1255 Planters**

# **LANKOTA®**

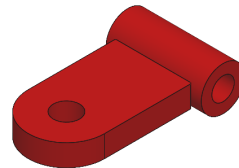
**270 West Park Avenue  
Huron, SD 57350  
866-526-5682**

# Parts List

| Part Numbers | Description                | Qty |
|--------------|----------------------------|-----|
| LANTH2100    | Rear Hitch Weldment        | 1   |
| LANTH2110    | Swivel Clevis Hitch        | 1   |
| LANFC028     | 1"-8 x 7", Gr 8 Hex Bolt   | 1   |
| LANFWS50     | 1" SAE Washer              | 2   |
| LANFE2N5     | 1" Top Lock Nut            | 1   |
| LAN28B32     | 3/4" x 2.5", Gr 8 Hex Bolt | 8   |
| LANFWS58     | 3/4" SAE Washer            | 16  |
| REDKRJG      | 3/4" Top Lock Nut          | 8   |



LANTH2100 (1)



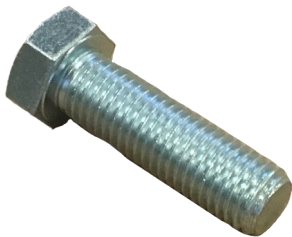
LANTH2110 (1)



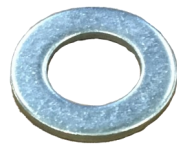
LANFC028 (1)



LANFWS50 (2)



LAN28B32 (8)



LANFWS58 (16)



REDKRJG (8)



LANFE2N5 (1)

# Kit Installation

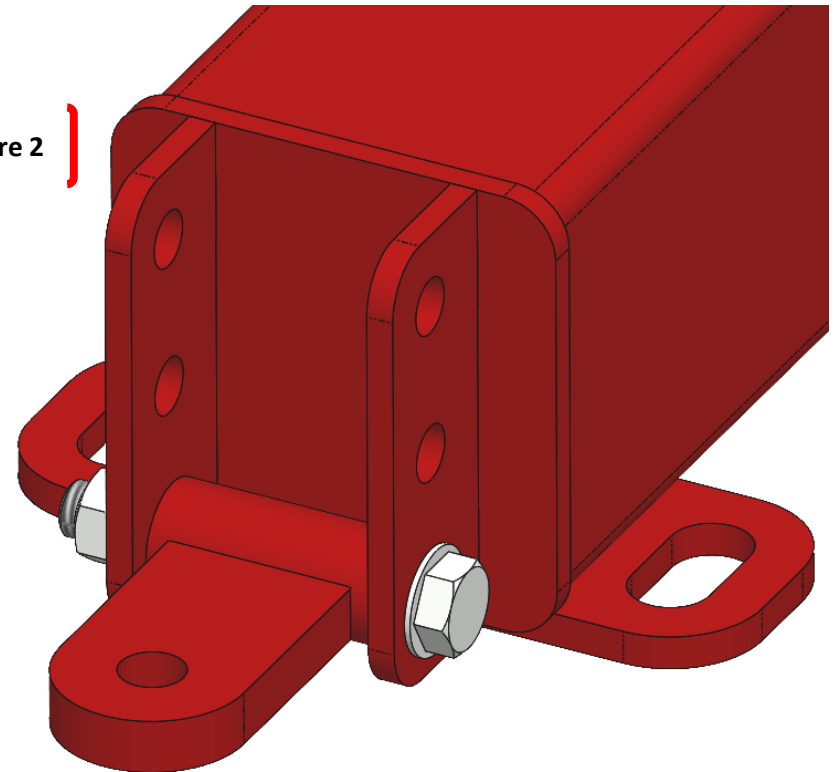


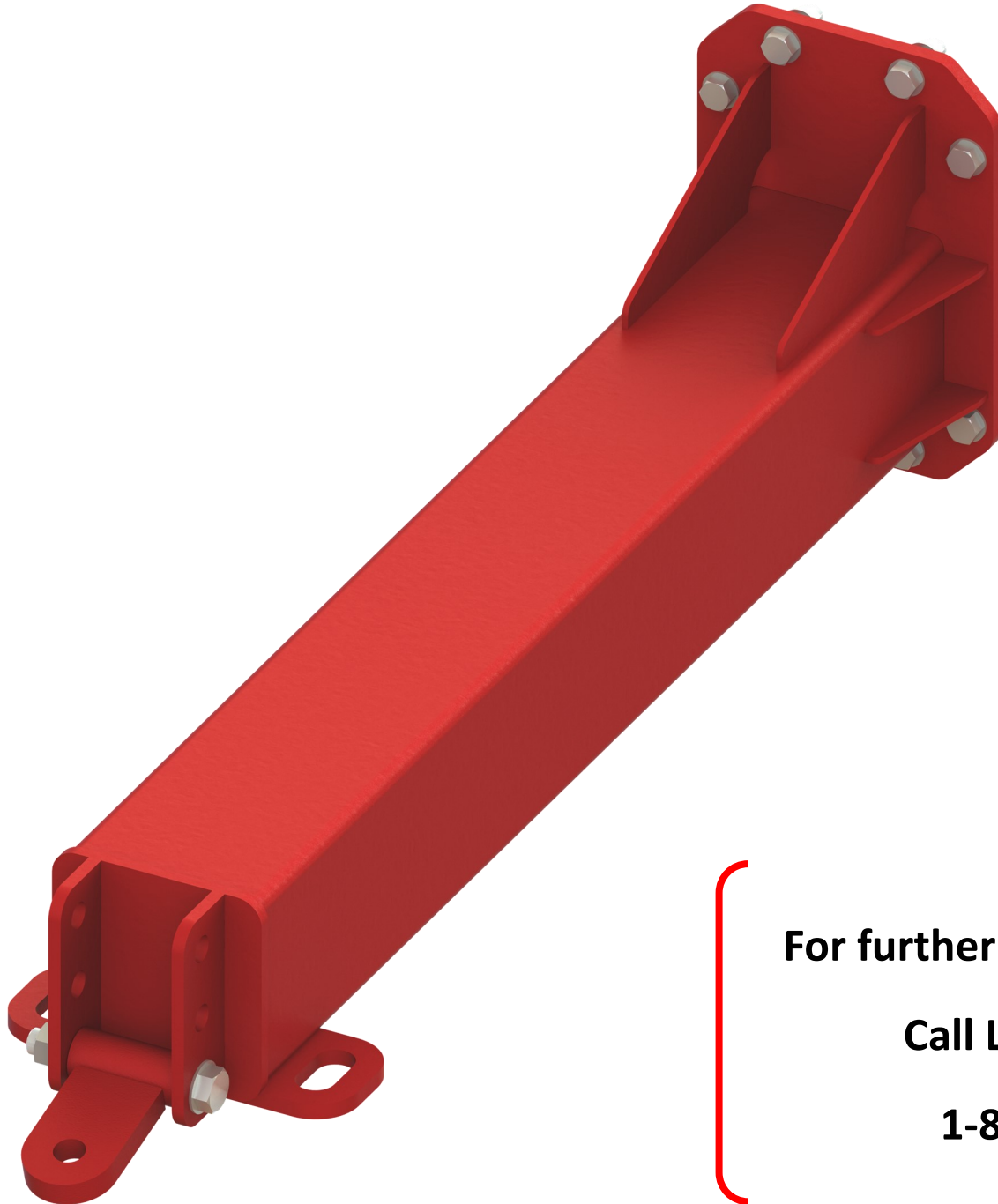
Figure 1

## Refer to Figures 1 & 2

1. Fasten the main weldment to the OEM mount plate on the rear of the planter with the provided 3/4" hardware.
2. Connect the swivel hitch to the weldment with the 1" hardware. Three different positions are available to keep the trailer hitch as level in the field as possible.
3. When hooking up a trailer, attach the safety chains to the slots on the sides.

Figure 2





**For further technical assistance,**

**Call Lankota Inc. at:**

**1-866-526-5682**