

# LANTBJD100

## Installation Instructions

Front Weight Mounted Tool Box for John Deere Tractors

# LANKOTA®

**270 West Park Avenue**

**Huron, SD 57350**

**866-526-5682**

# Numerical Parts List

Part Numbers	Description	Qty
LANTBJD100-A	Tool Box Assembly	1
LANTBJD012	Tool Box Mount Bracket	2
<b>LANTBJD100BH</b>	<b>Bag of Hardware</b>	<b>1</b>
LAN506K	1/2"-13 x 1-1/2" Carriage Bolt	4
LAN22000	1/2" Flat Washer	4
LAN1137030	1/2"-13 Nylon Lock Nut	4
LANFFEM3	1/2" Bolt Retaining Push Nut	6

# Pictorial Parts List

					
LANTBJD100-A (1)	LANTBJD012 (2)	LAN506K (4)	LAN1137030 (4)	LAN22000 (4)	LANFFEM3 (6)

**For further technical assistance,**

**Call Lankota Inc. at:**

**1-866-526-5682**

# Installation

## Refer to Figure 1

1. Slide one 1/2"-13 x 1-1/2" carriage bolt (LAN506K) through each of the slots on the Tool Box Mount Brackets (LANTBJD012) from the bottom side up. Retain with the 1/2" Push Nuts (LANFFEM3). Make sure the carriage bolts can be slide side to side in the slots by hand.

## Refer to Figures 2 & 3

2. Remove the existing 16mm bolts from the suitcase weights on the front of the tractor. Put the mount brackets (LANTBJD012) in place on either the outside of the weights or between two weights and re-install the 16mm bolt through the new mounts.

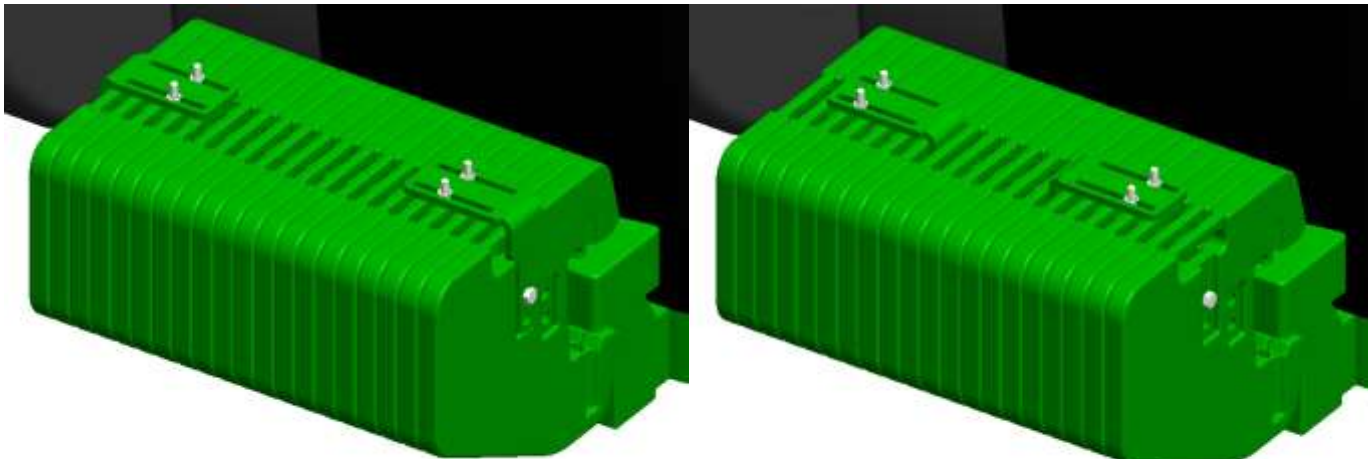
**NOTE:** The mounts can be faced inward or outward to properly mount the tool box depending on how many weights are present. Lankota recommends a minimum of 7 weights be installed to mount the tool box.



Figure 1

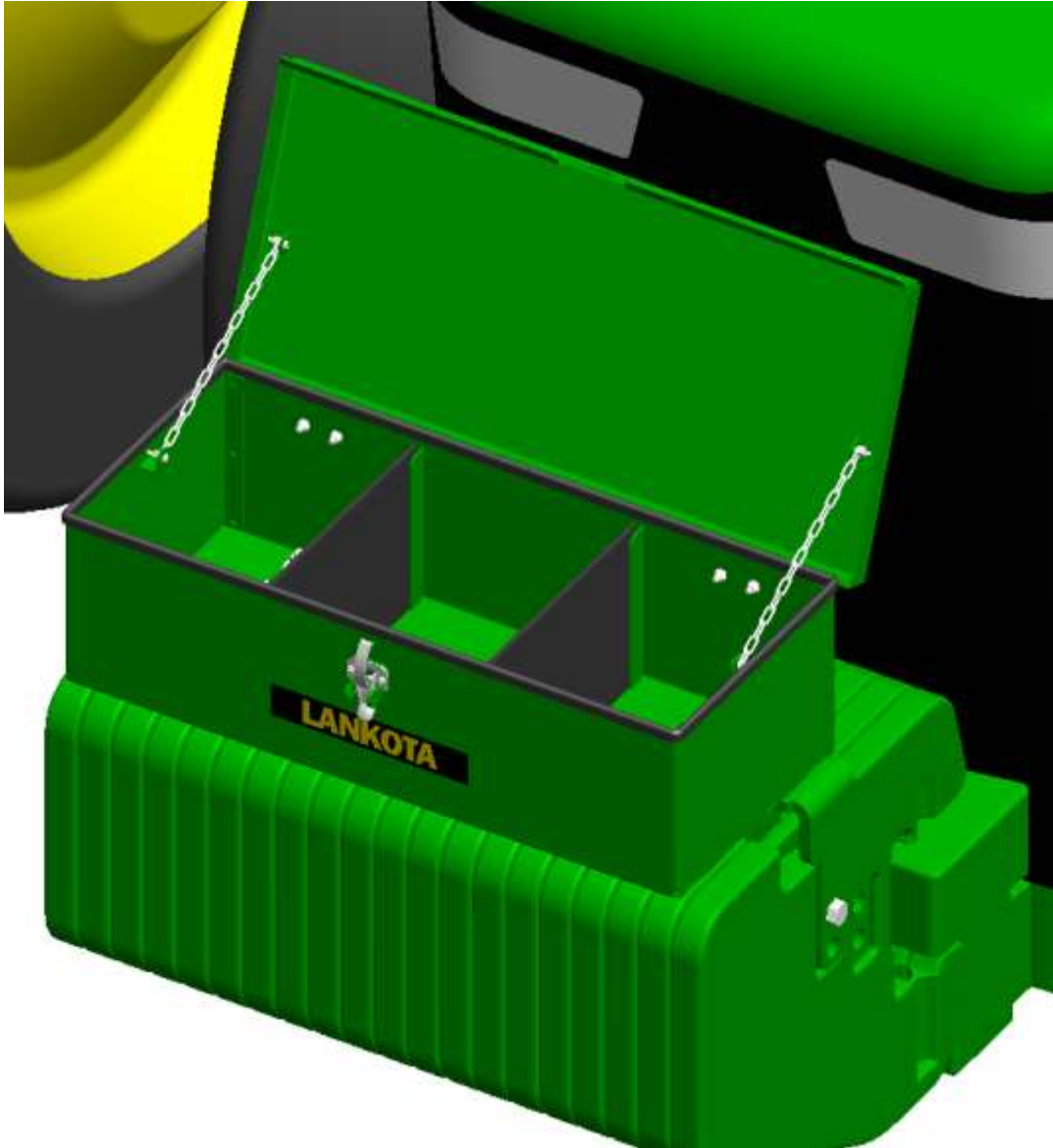
Figure 2

Figure 3



# Installation

Figure 4



Refer to Figure 4 & 5

3. Place the tool box on top of the mounts and install the 1/2" Flat Washers (LAN22000) and 1/2"-13 Nylon Lock Nuts on the inside of the tool box. Tighten all hardware.

Figure 5

