

LAN21372BLK
Installation Instructions
Lankota Header/Universal Toolbox


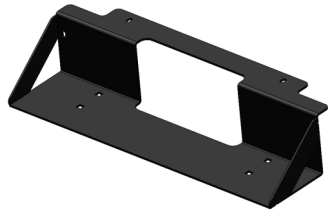
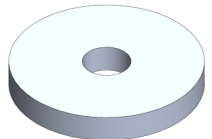



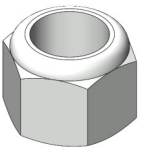

LANKOTA®

270 West Park Avenue
Huron, SD 57350
866-526-5682

Numerical Parts List

Part Numbers	Description	Qty
LANTBJD100-ABLK	Toolbox Assembly	1
LANTBH003BLK	Toolbox Mounting Bracket	1
LANTBH004	Mounting Spacer	8
LAN1818A	3/8" x 1" Thread Cutting Bolt	5
LAN22000	1/2" Flat Washer	4
LAN506K	1/2" x 1 1/2" Carriage Bolt	4
LAN1137030	1/2" Nyloc Nut	4
LANFNW7G	3/8" Nyloc Flange Nut	4

Pictorial Parts List

			
LANTBJD100-ABLK (1)	LANTBH003BLK (1)	LANTBH004 (8)	LAN1818A (5)
			
LAN22000 (4)	LAN506K (4)	LAN1137030 (4)	LANFNW7G (4)

Kit Installation

Refer to Figures 1 & 2

1. Determine the desired toolbox location. Note: The toolbox should be mounted close to the end of the head or across a support. **Do not mount the toolbox out in the middle of the upper beam away from any gussets, etc. as this can cause unwanted movement of the toolbox.**
2. Hold the toolbox mounting bracket (LANTBH003) up to the head and mark the four holes to be drilled. **Note: For 6 & 8 row heads, etc. that have a tube seam across the location of the toolbox mounting bracket, use the mounting spacers (LANTBH004) between the head and the mounting bracket to clear the tube seam.**
3. Drill through the upper tube at the marked locations with a 21/64" drill bit.
4. Attach the toolbox mounting bracket (LANTBH003) to the head using four 3/8" thread forming bolts (LAN1818A) and an impact driver, through the top and front sides of the tube. Be sure the toolbox bracket is pushed against the front side of the tube.

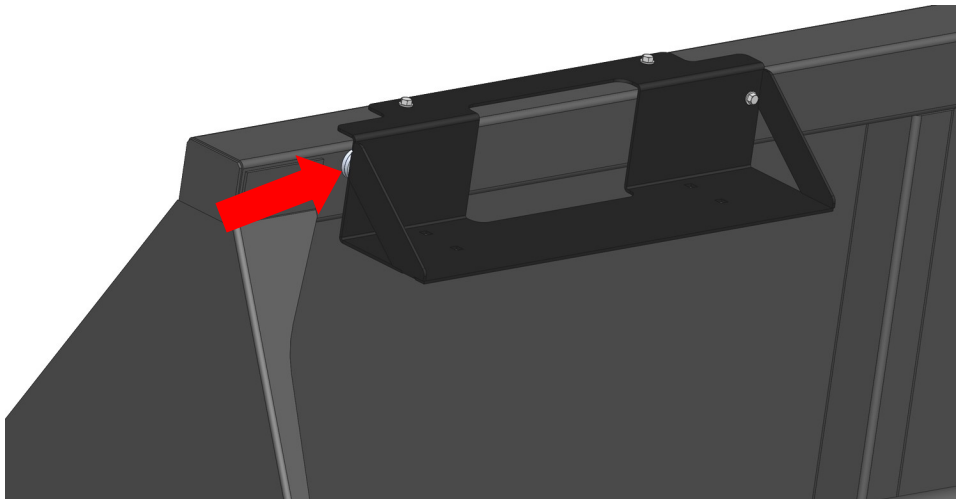


Figure 1



Figure 2

Kit Installation

Refer to Figures 3 & 4

5. If there is access to the back side of header tube, tighten a 3/8" nyloc flange nut (LANFNW7G) on each previously installed bolts. If the tube is closed, ensure that the 3/8" thread forming bolts are tight.
6. Set the toolbox assembly onto the toolbox mounting bracket and line up the four square holes in the bottom.
7. Using four 1/2" x 1 1/2" carriage bolts (LAN506K), 1/2" flat washers (LAN22000) and 1/2" nyloc nuts (LAN1137030), bolt the toolbox to the mounting bracket.



Figure 3



Figure 4

**For further technical assistance,
Call Lankota Inc. at:
1-866-526-5682**