

LANSSDR1230R4GT

Installation Instructions

Lankota GENERATION II Stalk Stomper® Kit for Drago® 1230 GT Series Corn Head - 4 Row Coverage

LANKOTA®

**270 West Park Avenue
Huron, SD 57350
866-526-5682**

Numerical Parts List

| Part Numbers | Description | Qty |
|--------------------------|--|------------|
| LANSSDRGT101 | Drago GT Stalk Stomper Mount | 1 |
| LANSSDRGT102 | Drago GT Stalk Stomper Mount | 1 |
| LANSSDRGT103 | Drago GT Stalk Stomper Mount | 1 |
| LANSSDRGT104 | Drago GT Stalk Stomper Mount | 1 |
| LANSSDRGT106 | PTO Holder | 2 |
| LANSS650QDT | Straight, Rigid Mount—Track Version | 4 |
| LANSSB90BLK | 90" Stomper Bar, Black | 2 |
| LANSSDR1230R4GTBH | Box of Hardware | 1 |
| LAN600UBOLT | U-bolt 5/8" x 2.265" ID x 3.75" Length | 8 |
| LAN690830 | 5/8"-11 Serrated Flange Nut | 16 |
| LANFG36R | M12 x 30 CLS8.8 Hex Flange Bolt | 22 |
| LANSS668BH | Bag of Hardware for SS668 | 4 |
| LAN600UBOLT | U-bolt 5/8" x 2.265" ID x 3.75" Length | 2 |
| LAN690830 | 5/8"-11 Serrated Flange Nut | 4 |
| LANFNXC1 | 1/2"-13 Flanged Nyloc Nut | 1 |
| LANFNHVK | 1/2"-13 x 2.5" Flanged Cap Screw | 1 |

Pictorial Parts List

| | | | |
|---|--|---|---|
|  |  |  |  |
| LANSSDRGT101 (1) | LANSSDRGT102 (1) | LANSSDRGT103 (1) | LANSSDRGT104 (1) |
|  |  |  |  |
| LANSSDRGT106 (2) | LANSS650QDT (4) | LANSSB90BLK (2) | LAN600UBOLT (24) |
|  |  |  |  |
| LANFNXC1 (4) | LANFNHVK (4) | LANFG36R (22) | LAN690830 (48) |

Preparation

1. Attach desired header to the combine. Lock the head to the combine.
2. Raise the head off the ground and lower the safety stop on the feeder house cylinder.
3. Set the parking brake on the combine.
4. Turn off the combine engine and remove the key.

1. Install Brackets & Bars

Refer to Figures 1.1

- 1.1 Remove the PTO Holder from both sides of the head.



Figure 1.1

1. Install Brackets & Bars

Refer to Figure 1.2

1.2 Install mount LANSSDRGT101 on the right side of the head and LANSSDRGT102 on the left side using three M12 flange bolts (LANFG36R) each. The mounts attach to the frame pillar second-to-the-end as indicated in the figure. Tighten.

Refer to Figure 1.3

1.3 Install mount LANSSDRGT103 on the right side of the feederhouse and LANSSDRGT104 on the left side using six M12 x 30mm flange bolts (LANFG36R) each. Tighten.

Note: There are two sets of holes to choose from. As a guideline, the top holes should be used when the head will be running at the steepest angle and/or be carried away from the ground more than 6 inches. Otherwise, use the bottom holes.

Figure 1.2



Figure 1.3

1. Install Brackets & Bars

Refer to Figure 1.4

1.4 Install the PTO Hooks (LANSSDRGT106) on both sides of the feederhouse with two M12 flange bolts in the outer set of holes as shown. Tighten and set the PTO shafts into the hooks.

Refer to Figure 1.5 & 1.6

1.5 Install a 90" toolbar on each side of the feederhouse using two U-bolts and four 5/8" serrated flange nuts in each bracket.



Figure 1.5



Figure 1.4



Figure 1.6

2. Install Shoes & Mounts

Refer to Figure 2.1 & 2.2

2.1 Install the LANSS650QDT mounts on the appropriate rows next to the feederhouse. Each mount should sit directly behind a row and mount on the bottom of the bar with two U-bolts and four nuts.

For combines with tracks, it may be necessary to point the mounts forward (towards the head) to prevent the shoes and tracks from colliding.



Figure 2.1



Figure 2.2

2. Install Shoes & Mounts

Refer to **Figure 2.3**

2.3 Attach the shoes to the mounts using the 1/2" twist-lock pins (LANSS704).

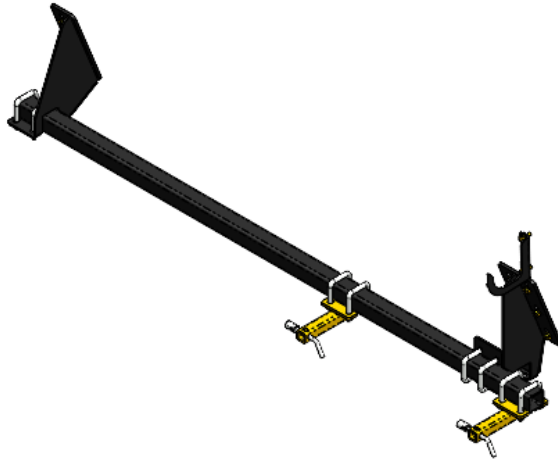
Figure 2.3



Stalk Stomper Disclaimer

Stalk Stomper Disclaimer

The most effective use of the Lankota Stalk Stomper® is achieved by adjusting the stomper pad so that when the corn head is at its normal cutting height, the pad of the shoe is 1" above the ground. Over compression of the spring can shorten the life of the stomper spring, increase wear on the poly liner, and may result in undue damage NOT covered by Lankota's Limited Warranty.



For further technical assistance,
call Lankota Inc. at:
1-866-526-5682

