

LANSS618R18

Installation Instructions

Lankota GENERATION II Stalk Stomper® Mounting Kit for JD® 618 & 718 Series Corn Heads

18-Row Coverage

LANKOTA®

**270 West Park Avenue
Huron, SD 57350
866-526-5682**

Numerical Parts List

Part Numbers	Description	Qty
LANSSB90GRN	90" Stalk Stomper® Tool Bar	2
LANSSB77GRN	77" Stalk Stomper® Tool Bar	2
LANSS6524	86" Tool Bar with 4 Mounts @ 21" spacing	1
LANSS600E	End Mount	2
LANSS700I	Inside Mount Plate	2
LANSS600J	Joint Plate for Tool Bars	2
LANSS615M	2015+ Beam Mount	4
LANSS650FE	Feeder House Section End Mount	2
LANSS659	Flip-up Stomper Mount	14
LANSS618R18BH	Box of Hardware	1
LANFCJ9MC	1-3/8" Hole Saw	1
LANSS704	Bent Pin w/ Twist-Lock Cap	4
LAN3722	1/2" Serrated Flange Nut	4
LANFNHVK	1/2" Flanged Cap Screw	4
LANB718	5/8" x 4.5" Hex Bolt	8
LAN26000	5/8" Flat Washer	8
LANSS600IBH	Bag of Hardware	2
LAN600UBOLT	U-bolt 5/8" x 2.625" ID x 3.75" Length	2
LAN690830	5/8"-11 Serrated Flange Nut	4
LAN3722	1/2"-13 Serrated Flange Nut	2
LAN506K	1/2"-13 x 1.50" Carriage Head Bolt	2
LANSS600JBH	Bag of Hardware	2
LAN600UBOLT	U-bolt 5/8" x 2.625" ID x 3.75" Length	4
LAN690830	5/8"-11 Serrated Flange Nut	8

Numerical Parts List Continued

Part Numbers	Description	Qty
LANSS600EBH	Bag of Hardware	2
LAN600UBOLT	U-bolt 5/8" x 2.625" ID x 3.75" Length	1
LAN690830	5/8"-11 Serrated Flange Nut	2
REDB505	1/2"-13 x 1.25" Hex Bolt	2
REDWL55	1/2" Lock Washer	2
LANF-HN-0.500C	1/2"-13 Hex Nut	2
LANSS600MBH	Bag of Hardware	4
LAN600UBOLT	U-bolt 5/8" x 2.625" ID x 3.75" Length	2
LAN079UBOLT	U-bolt 5/8" x 5.125" ID x 6.50" Length	2
LAN619UBOLT	U-bolt 5/8" x 6.188" ID x 7.88" Length	2
LAN690830	5/8"-11 Serrated Flange Nut	8
LANSS668BH	Bag of Hardware	14
LAN600UBOLT	U-bolt 5/8" x 2.625" ID x 3.75" Length	2
LAN690830	5/8"-11 Serrated Flange Nut	4
LANFNXC1	1/2"-13 Flanged Nyloc Nut	1
LANFNHVK	1/2"-13 x 2.50" Serrated Flange Bolt	1
LANSS650FCBH	Bag of Hardware	1
LAN600UBOLT	U-bolt 5/8" x 2.625" ID x 3.75" Length	4
LAN690830	5/8"-11 Serrated Flange Nut	8
LAN3722	1/2"-13 Serrated Flange Nut	4
LANF1ERQ	1/2"-13 x 2" Carriage Bolt	4

Pictorial Parts List

 <p>LANSS6524 (1)</p>		 <p>LANSSB90GRN (2)</p>		 <p>LANF1ERQ (4)</p>	 <p>LAN3722 (12)</p>	 <p>LAN506K (4)</p>
 <p>LANSS600E (2)</p>	 <p>LANSS700I (2)</p>	 <p>LANSSB77GRN (2)</p>		 <p>LAN600UBOLT (54)</p>	 <p>LAN690830 (124)</p>	 <p>REDWL55 (4)</p>
 <p>LANSS615M (4)</p>	 <p>LANSS650FE (2)</p>	 <p>LANSS600J (2)</p>	 <p>LAN079UBOLT (8)</p>	 <p>LAN619UBOLT (8)</p>	 <p>LANSS704 (4)</p>	 <p>REDB505 (4)</p>
 <p>LANSS659 (14)</p>	 <p>LANB718 (8)</p>	 <p>LAN26000 (8)</p>	 <p>LANFNHVK (18)</p>	 <p>LANFNXC1 (14)</p>	 <p>LANFCJ9MC (1)</p>	 <p>LANF-HN-0.500C (4)</p>

Preparation

1. Attach desired header to the combine. Lock the head to the combine.
2. Raise the head off the ground and lower the safety stop on the feeder house cylinder.
3. Set the parking brake on the combine.
4. Turn off the combine engine and remove the key.

OR

1. Set the desired header on a suitable header trailer.
2. Release the header from the combine and back it away.

Stalk Stomper Disclaimer

Stalk Stomper Disclaimer

The most effective use of the Lankota Stalk Stomper® is achieved by adjusting the stomper pad so that when the corn head is at its normal cutting height, the pad of the shoe is 1" above the ground. Over compression of the spring can shorten the life of the stomper spring, increase wear on the poly liner, and may result in undue damage NOT covered by Lankota's Limited Warranty.

Stalk Stomper Height Adjustment

To adjust Lankota Stalk Stomper shoes, watch this video found on YouTube: <https://youtu.be/Ukcq7NrCgpQ>
and the Lankota website: <https://lankota.com/stalk-stompers.html>
or scan the QR code to the right with a smart phone.



Kit Installation

Refer to Figure 1

1. Attach the brackets (LANSS700I & LANSS650FE) to the bottom of the header angle bracket on each side of the feeder house opening. Use two 1/2" x 2" carriage bolts (LANF1ERQ) and 1/2" serrated flange nuts (LAN3722) found in LANSS650FCBH. Don't tighten yet.

Refer to Figure 2

2011 & older heads: Use the back center holes as shown.

2012 & new heads: Use the back outer holes as shown.

Figure 1

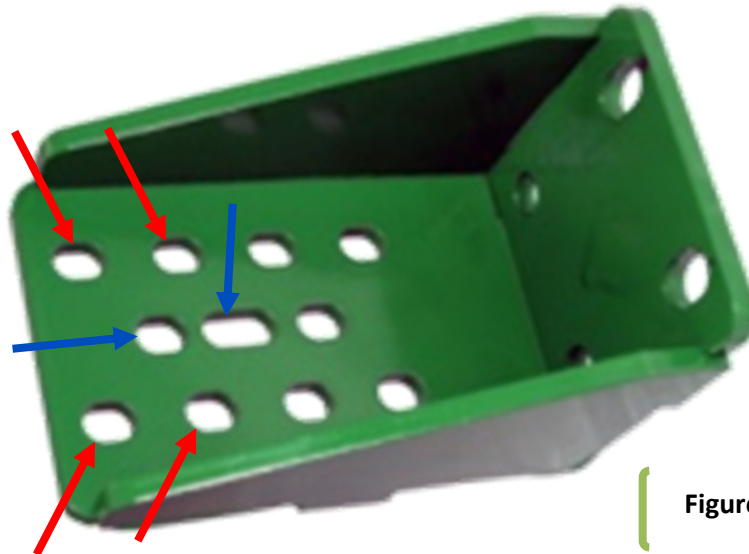


Figure 2

Kit Installation

Refer to Figures 3

2. On end of head install end mount (LANSS600E). Locate two factory holes in the bottom of factory sheet metal. Use 1/2" drill bit to increase hole to proper size. Use the hardware found in LAN600EBH.

Refer to Figures 4

3. Install LANSS615M brackets to the areas just outside the header legs where sheet metal is nonexistent. The hardware is found in the LANSS600MBH bags.
4. Attach the 90" tube (LANSSB90GRN) to the inner mounts (LANSS700I & LANSS615M). Use the LAN600UBOLT's and LAN690830 nuts in the bags of hardware.

Note: On a 700 Series head, the front will need to be drilled. Mount the bracket with the rear hole and then use the it as a guide for the front hole.



Figure 3



Figure 4



Figure 5

Kit Installation

20" Heads Follow Steps 5-8

22" Heads Follow Steps 9-11

Refer to Figures 6 - 7

5. Attach a flip-up mount (LANSS659) to the 90" toolbar aligned with Row 4 using a LANSS668BH bag of hardware.
6. Attach another bracket (LANSS615M) to the main header frame just outside of row 4. Use a 1-3/8" hole saw to cut two holes allowing for placement of large U-Bolts. Connect it to the 90" toolbar as well.
7. The 77" toolbar (LANSSB77GRN) will be too long for 20" heads. Measure from the end of the 90" toolbar to the outside of the end mount (LANSS600E) and cut 77" bar to length. Measure both sides of the head as this length may vary.
8. Install toolbar between end mount (LANSS600E) and 90" toolbar using joint plate (LANSS600J). Note that you will need to mount your flip-up mount (LANSS659) in combination with the joint plate, as shown in Figure 7, with the 5/8" x 4.5" bolt (LANB718) and washer (LAN26000).

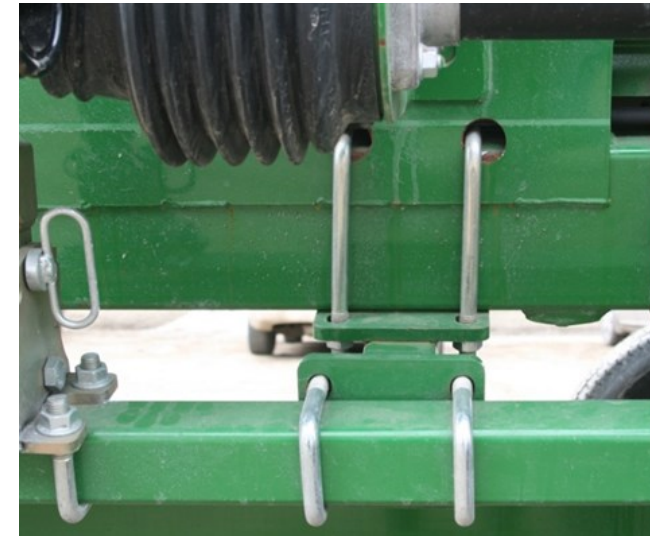


Figure 6

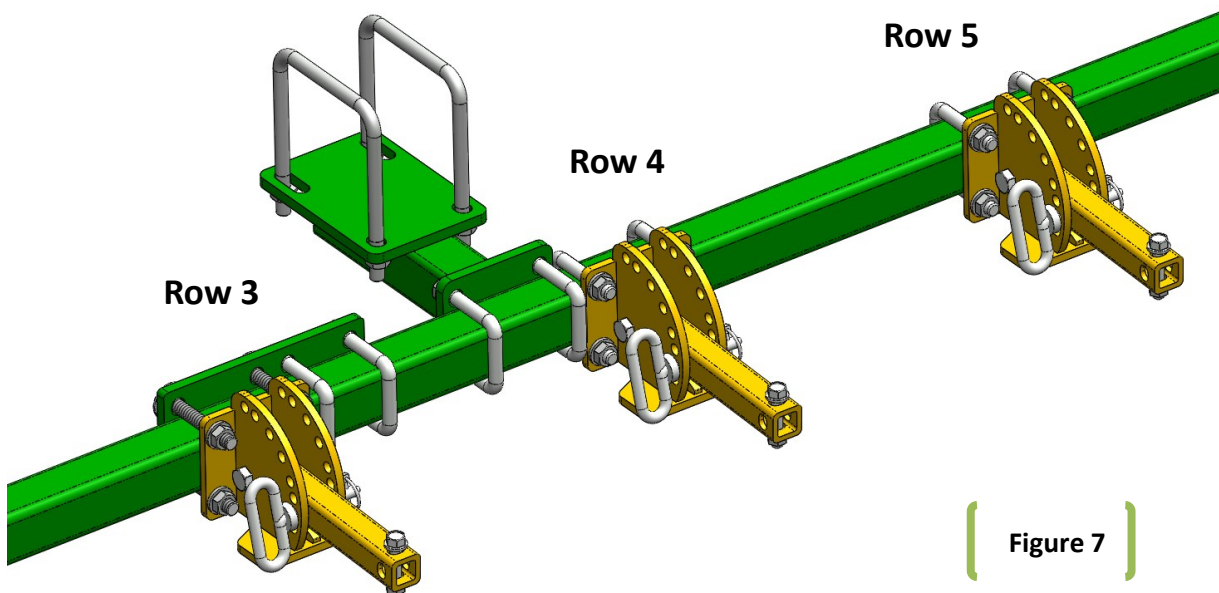


Figure 7

20" Heads Follow Steps 5-8

22" Heads Follow Steps 9-11

Refer to Figures 6 & 8

5. Attach a flip-up mount (LANSS659) to the 90" toolbar aligned with Row 4 using a LANSS668BH bag of hardware and attach a joint plate (LANSS600J) to the end of the toolbar. Replace one U-Bolt in the flip-up mount with the 5/8" x 4.5" bolts (LANB718) and washers (LAN26000) that share with the joint plate.
6. Attach another bracket (LANSS615M) to the main header frame just outside of row 4. Use a 1-3/8" hole saw to cut two holes allowing for placement of large U-Bolts. Connect it to the 90" toolbar as well.
7. Install the 77" toolbar (LANSSB77GRN) between the end mount (LANSS600E) and 90" toolbar using the joint plate (LANSS600J) and the U-bolts and flange nuts found in the bags of hardware.

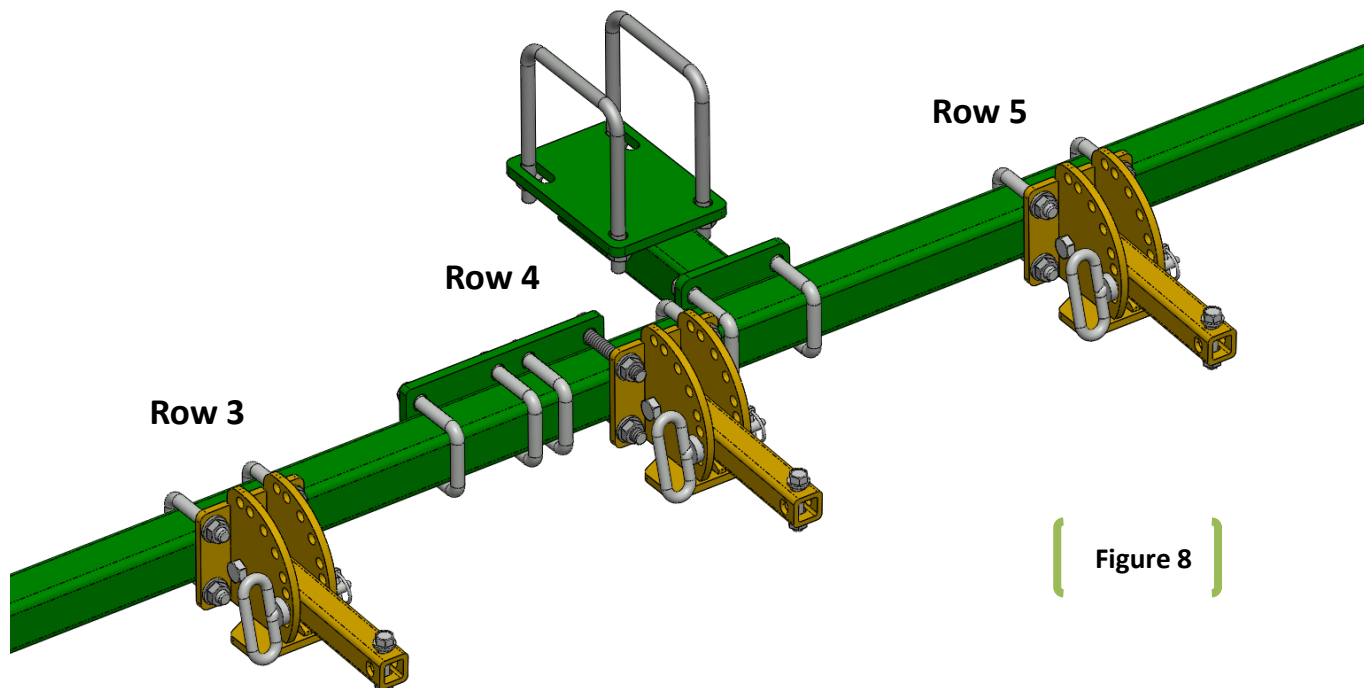


Figure 8

Kit Installation

Refer to Figure 9

8. Mount the tool bar (LANSS6532) to the front of the brackets (LANSS650FE) that were previously installed. Center the bar so that welded mounts are directly in line with corn rows. Tighten the carriage bolt nuts at this time. The U-bolts and lock nuts can be found in the LANSS650FCBH bag of hardware.
9. Tighten all the hardware in the kit. Start at the center and work towards the outside. Align all bar and mounts as you go.

NOTE: For 2011 and older CHOPPING corn heads, remove chopping curtains under feeder house. Reinstall them opposite (backwards) of how they were installed from the factory.

Figure 9



Kit Installation

Refer to Figures 11 - 13

10. Mount the flip-up mounts (LANSS659) to the tool bar so the mounts are centered in line with the rows. Use the hardware in the LANSS668BH's. Tighten all hardware.

Note: the flip-up mounts can only be mounted on the back of the tool bars.

11. Slide the Lankota Stalk Stomper® shoes onto the flip-up mounts and secure each of them using 1 flanged bolt (LANFNHVK) and 1 nyloc nut (LANFNXC1) found in the bags of hardware marked (LANSS668BH). Tighten and secure. Use the flip-up option of the mounts (LANSS659) to clear tires on trailers.
12. Under the feederhouse, slide the shoes on the tubes and retain them with the hitch pins (LANSS704).

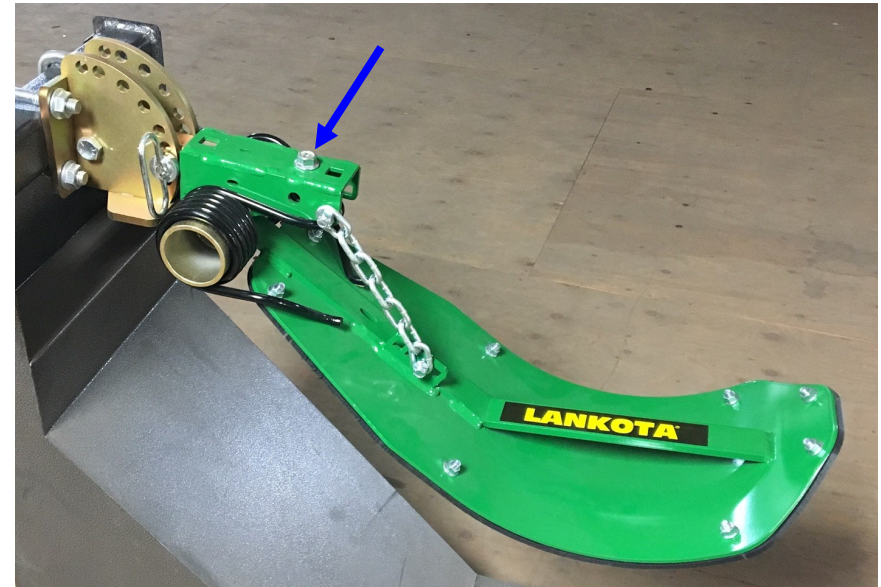


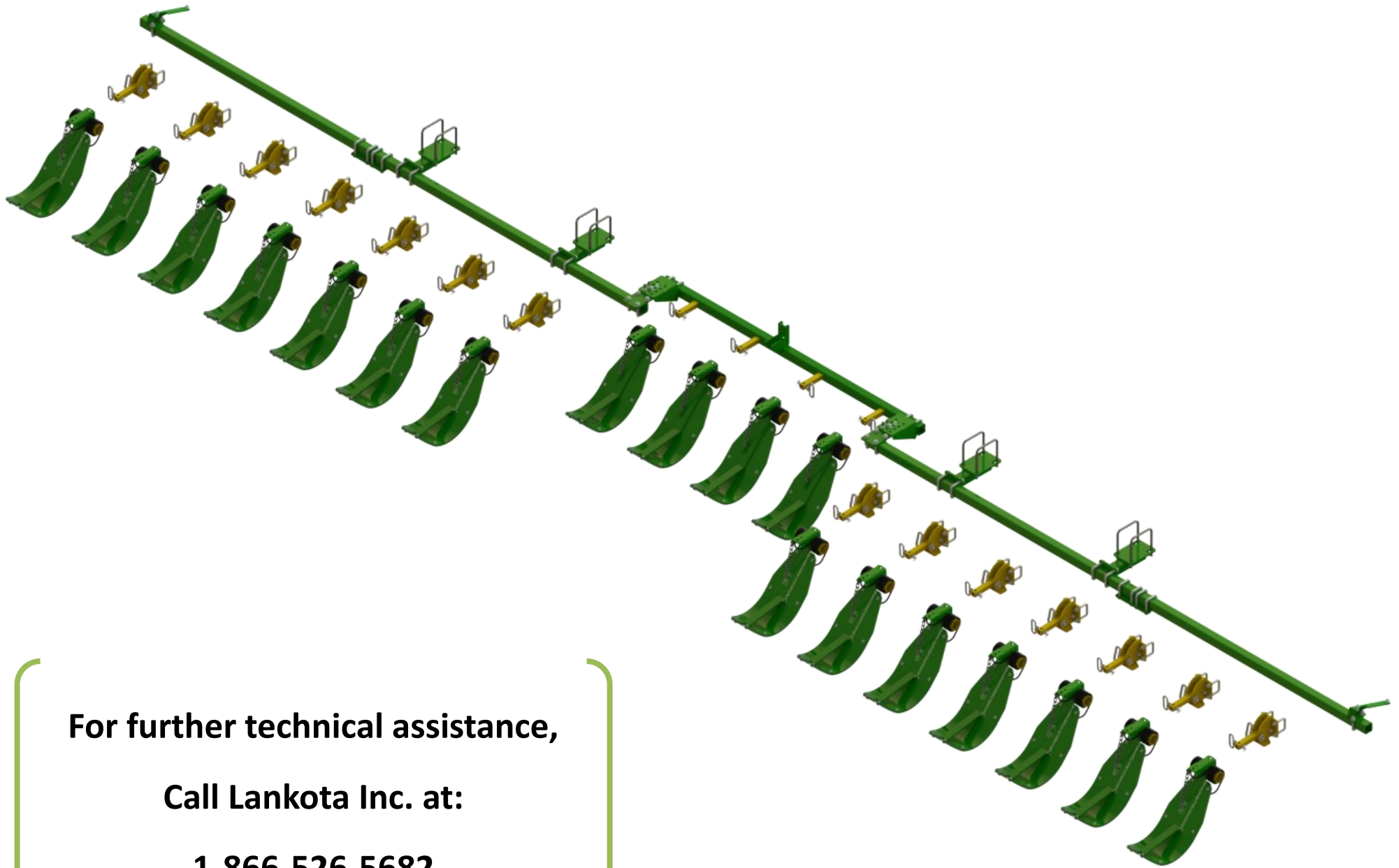
Figure 12

Figure 11



Figure 13





For further technical assistance,

Call Lankota Inc. at:

1-866-526-5682