

LANSS612R2F

Installation Instructions

Lankota GENERATION II Stalk Stomper® Mounting Kit for JD® 612F Series Corn Heads

2-Row Coverage

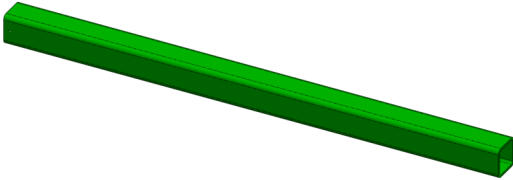
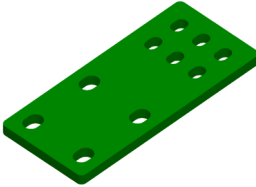
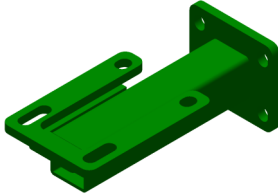
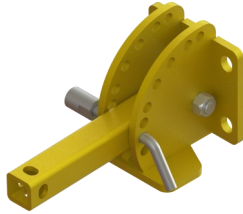


LANKOTA®

**270 West Park Avenue
Huron, SD 57350
866-526-5682**

Numerical Parts List

Part Numbers	Description	Qty
LANSSB42GRN	42" Stalk Stomper® Tool Bar	2
LANSS700I	Inside Mount Plate—Grade 50	2
LANSS700M	612F Beam Mount—Grade 50	2
LANSS759	Flip-up Stomper Mount—Grade 50	2
LANSS600R2BH	Box of Hardware	1
LANFCJ9MC	1-3/8" Hole Saw	1
LANSS600IBH	Bag of Hardware	2
LAN600UBOLT	U-bolt 5/8" x 2.625" ID x 3.75" Length	2
LAN690830	5/8"-11 Serrated Flange Nut	4
LAN3722	1/2"-13 Serrated Flange Nut	2
LAN506K	1/2"-13 x 1.50" Carriage Head Bolt	2
LANSS600MBH	Bag of Hardware	2
LAN600UBOLT	U-bolt 5/8" x 2.625" ID x 3.75" Length	2
LAN079UBOLT	U-bolt 5/8" x 5.125" ID x 6.50" Length	2
LAN619UBOLT	U-bolt 5/8" x 6.188" ID x 7.88" Length	2
LAN690830	5/8"-11 Serrated Flange Nut	8
LANSS668BH	Bag of Hardware	2
LAN600UBOLT	U-bolt 5/8" x 2.625" ID x 3.75" Length	2
LAN690830	5/8"-11 Serrated Flange Nut	4
LANFNXC1	1/2"-13 Flanged Nyloc Nut	1
LANFNHVK	1/2"-13 x 2.50" Serrated Flange Bolt	1

Pictorial Parts List

 <p>LANSSB42 (2)</p>	 <p>LANSS700I (2)</p>	 <p>LANSS700M (2)</p>	 <p>LANSS759 (2)</p>	
 <p>LAN506K (4)</p>	 <p>LAN600UBOLT (16)</p>	 <p>LAN079UBOLT (4)</p>	 <p>LAN619UBOLT (4)</p>	 <p>LAN690830 (40)</p>
 <p>LAN3722 (4)</p>	 <p>LANFNHVK (2)</p>	 <p>LANFNXC1 (2)</p>	 <p>LANFCJ9MC (1)</p>	

Preparation

1. Attach desired header to the combine. Lock the head to the combine.
2. Raise the head off the ground and lower the safety stop on the feeder house cylinder.
3. Set the parking brake on the combine.
4. Turn off the combine engine and remove the key.

OR

1. Set the desired header on a suitable header trailer.
2. Release the header from the combine and back it away.

Stalk Stomper Disclaimer

Stalk Stomper Disclaimer

The most effective use of the Lankota Stalk Stomper® is achieved by adjusting the stomper pad so that when the corn head is at its normal cutting height, the pad of the shoe is 1" above the ground. Over compression of the spring can shorten the life of the stomper spring, increase wear on the poly liner, and may result in undue damage NOT covered by Lankota's Limited Warranty.

Stalk Stomper Height Adjustment

To adjust Lankota Stalk Stomper shoes, watch this video found on YouTube: <https://youtu.be/Ukcq7NrCgpQ>
and the Lankota website: <https://lankota.com/stalk-stompers.html>
or scan the QR code to the right with a smart phone.



Kit Installation

Refer to Figure 1

1. Attach the brackets (LANSS700I) to the bottom of the header angle bracket on each side of the feeder house opening. Use two 1/2" x 1.5" carriage bolts (LAN506K) and 1/2" serrated flange nuts (LAN3722) found in LANSS600IBH and tighten.

Refer to Figure 2

2. Attach the brackets (LANSS700M) to the main header frame beam on the left and right hand side of the header as far to the outside of the head as possible. Use the hardware found in LAN600MBH. Use the hole to drill any necessary holes.

Refer to Figure 3

3. Attach the tube (LANSSB42GRN) to the mounts. Use the LAN600UBOLT's and LAN690830 nuts in the bags of hardware.

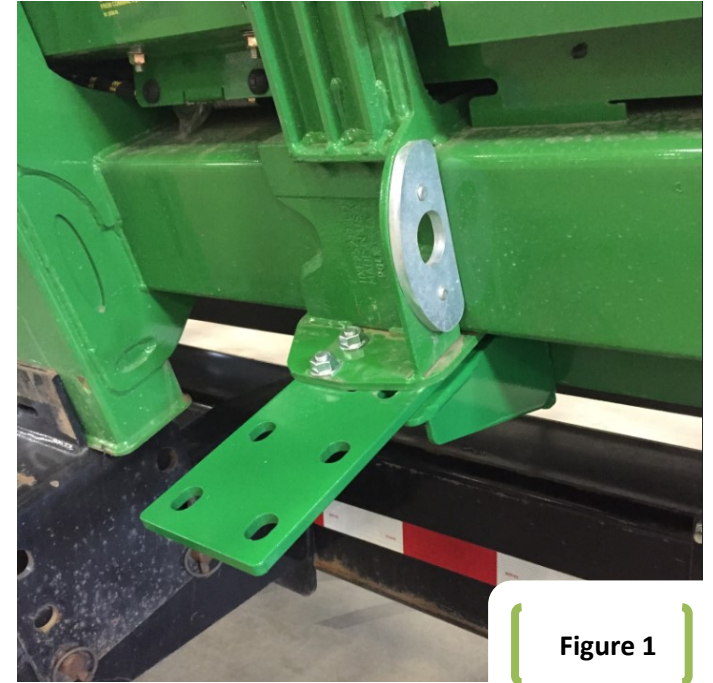


Figure 1



Figure 2

Figure 3



Kit Installation

Refer to Figures 4 & 5

4. Mount the flip-up mounts (LANSS759) to the tool bar so the mounts are centered in line with the rows. Use the hardware in the LANSS668BH's. Tighten all hardware.

Note: the flip-up mounts can only be mounted on the back of the tool bars.

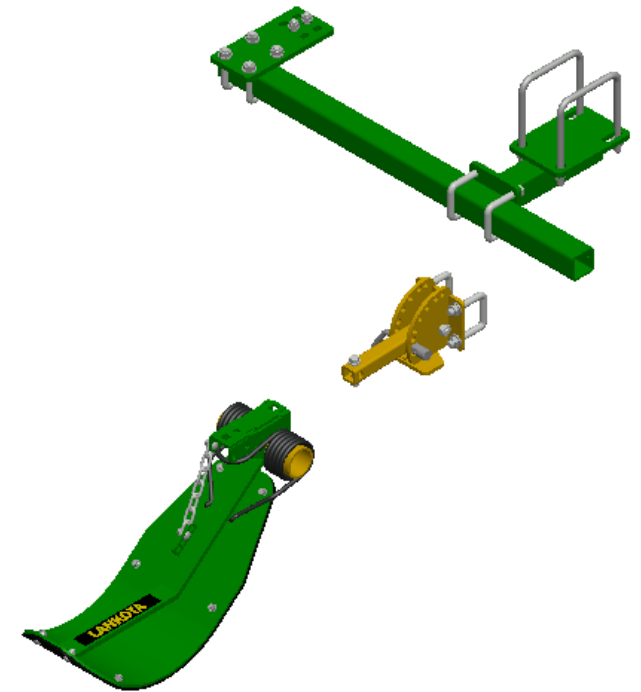
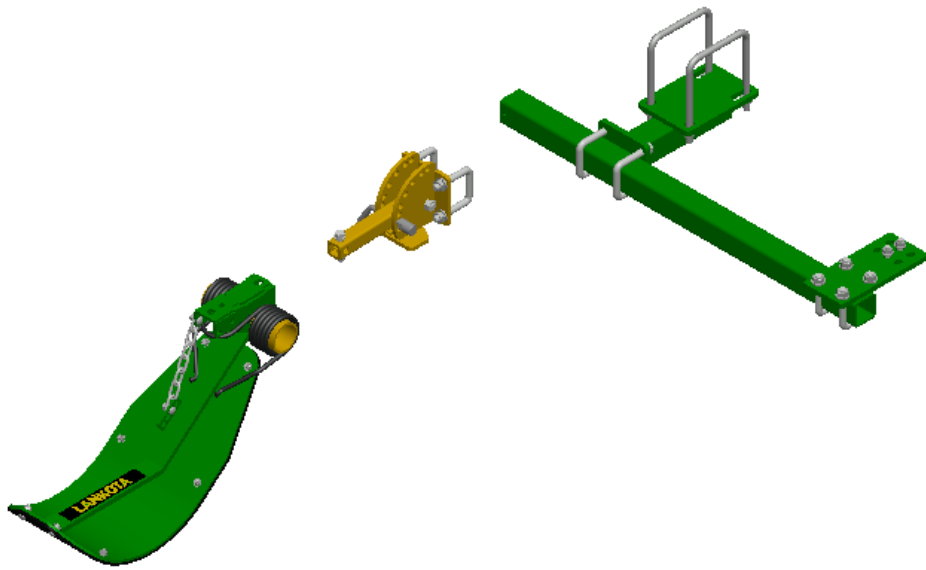
5. Slide the Lankota Stalk Stomper® shoes onto the flip-up mounts and secure each of them using 1 flanged bolt (LANFNHVK) and 1 nyloc nut (LANFNXC1) found in the bags of hardware marked (LANSS668BH). Tighten and secure. Use the flip-up option of the mounts (LANSS759) to clear tires on trailers.



Figure 5



Figure 4



For further technical assistance,

Call Lankota Inc. at:

1-866-526-5682