

LANSS608R2F

Installation Instructions

Lankota GENERATION II Stalk Stomper® for JD® 608 & 708 Series Folding Corn Heads

2-Row Coverage (Rows 3 & 6, or 2 & 7)

LANKOTA®

270 West Park Avenue

Huron, SD 57350

866-526-5682

Numerical Parts List

Part Numbers	Description	Quantity
LANSS722	Tool Bar Mount	2
LANSS759	Stalk Stomper Flip Up Mount	2
LANSS729	Header Foot	2
LANSSB21GRN	21" Stalk Stomper Tool Bar	2
LAN079UBOLT	U-bolt 5/8"x 5.125" ID x 6.50" Long	4
LAN600UBOLT	U-bolt 5/8"x 2.625" ID x 3.75" Long	8
LAN690830	5/8" Serrated Flange Nut	24
LANFNHVK	1/2"-13 x 2.50" Serrated Flange Bolt	2
LANFNXC1	1/2"-13 Flanged Nyloc Nut	2

 LANSS722 (2)	 LANSS759 (2)	 LANSS729 (2)	 LANSSB21GRN (2)	 LAN079UBOLT (4)	 LAN600UBOLT (8)
 LAN690830 (24)	 LANFNHVK (2)	 LANFNXC1 (2)			

Preparation (Coverage for Rows 3 & 6)

1. Attach desired header to the combine. Lock the head to the combine.
2. Make sure the header is unfolded completely.
3. Raise the head off the ground and lower the safety stop on the feeder house cylinder.
4. Set the parking brake on the combine.
5. Turn off the combine engine and remove the key.

1. Kit Installation

- 1.1 Remove the header feet and replace them with LANS5729.
- 1.2 When standing behind the left side of the header, measure from the left side of the main support tube and drill $3/4"$ holes as shown through the center of the top flange of the curtain bracket. Repeat on the opposite side of the head, measuring from the right hand side.



Figure 1.1

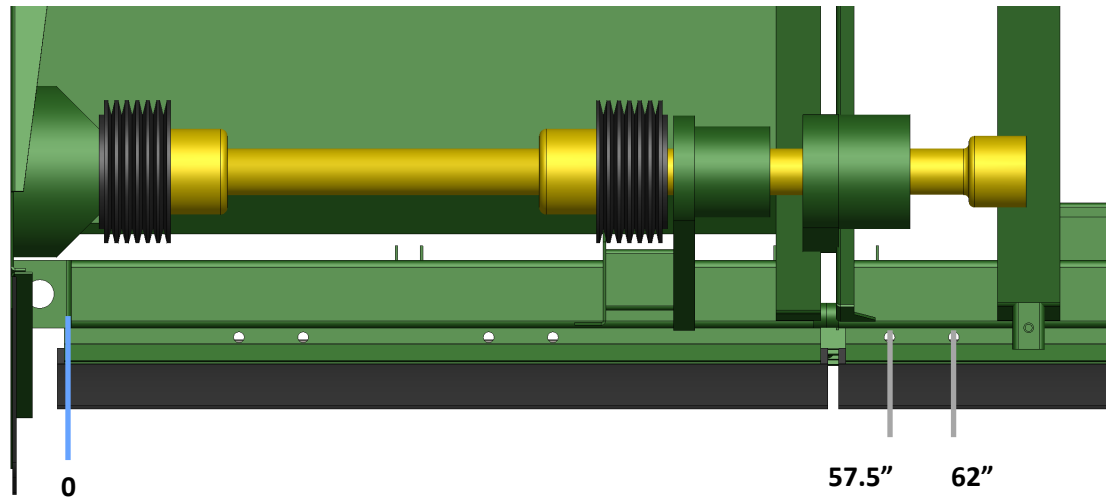


Figure 1.2

1. Kit Installation

Refer to Figure 1.6

1.6 Install LANSS722 in the set of previously drilled holes on the center (non-folding) head section with two LAN079UBOLT and 5/8" flange nuts.

Refer to Figure 1.7

1.7 Install LANSSB21GRN on LANSS722 with two LAN600UBOLT and 5/8" flange nuts. Install the flip up mount (LANSS759) on the toolbar, with two LAN600UBOLT and 5/8" flange nuts, centered with the row unit.

1.8 Cut excess length off of the toolbar past the flip up mount (shown with a red line in Figure 1.7).

Repeat Steps 1.6 - 1.8 on the opposite side of the head.

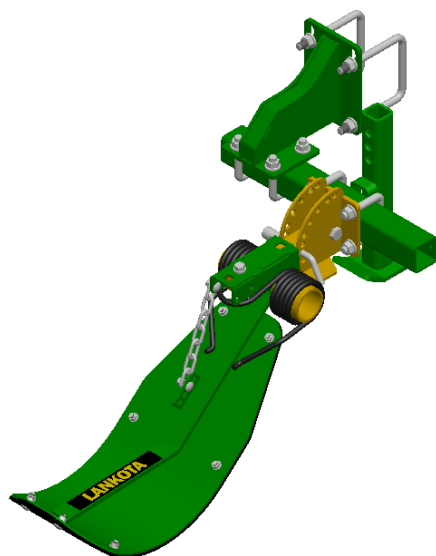


Figure 1.6



Figure 1.7

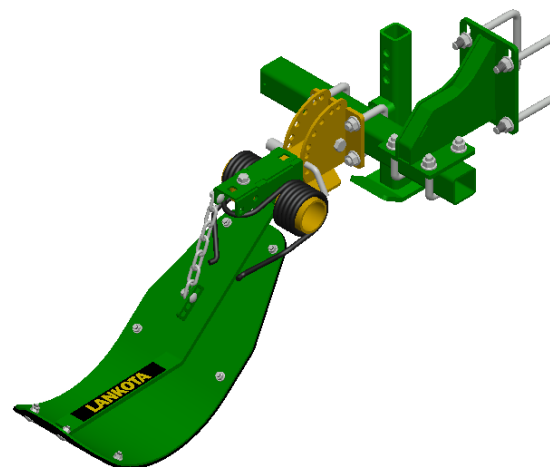
Complete Kit (Coverage for Rows 3 & 6)



For further technical assistance,

Call Lankota Inc. at:

1-866-526-5682



Preparation (Coverage for Rows 2 & 7)

1. Attach desired header to the combine. Lock the head to the combine.
2. Make sure the header is unfolded completely.
3. Raise the head off the ground and lower the safety stop on the feeder house cylinder.
4. Set the parking brake on the combine.
5. Turn off the combine engine and remove the key.

1. Kit Installation

- 1.1 Remove the header feet and replace them with LANS5729.
- 1.2 When standing behind the left side of the header, measure from the left side of the main support tube and drill $3/4$ " holes as shown through the center of the top flange of the curtain bracket. Repeat on the opposite side of the head, measuring from the right hand side.



Figure 1.1

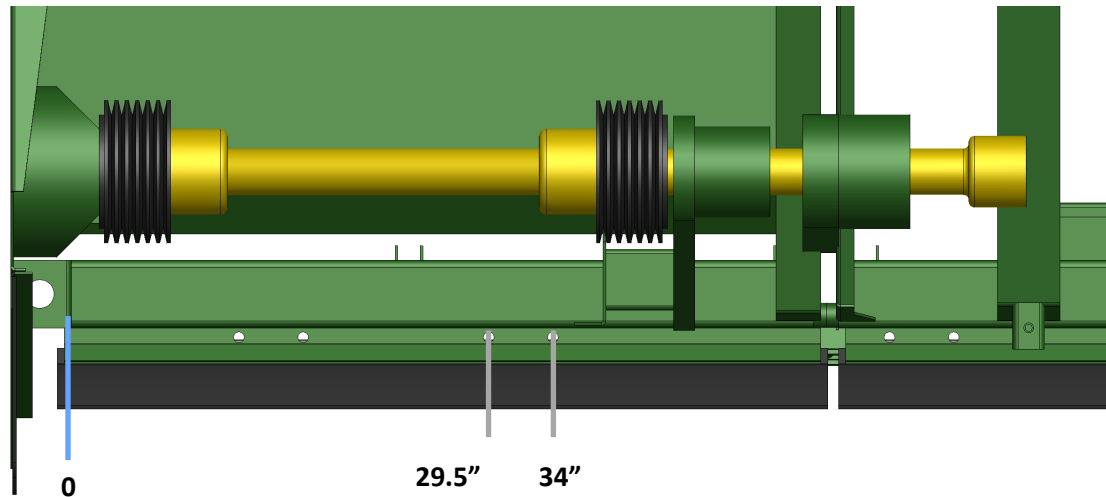


Figure 1.2

1. Kit Installation (Coverage for Rows 2 & 7)

Refer to Figure 1.6

1.6 Install LANSS722 in the set of previously drilled holes on the wing (folding) head section with two LAN079UBOLT and 5/8" flange nuts.

Refer to Figure 1.7

1.7 Install LANSSB21GRN on LANSS722 with two LAN600UBOLT and 5/8" flange nuts. Install the flip up mount (LANSS759) on the toolbar, with two LAN600UBOLT and 5/8" flange nuts, centered with the row unit.

1.8 Cut excess length off of the toolbar (shown with a red line in Figure 1.7).

Repeat Steps 1.6 - 1.8 on the opposite side of the head.

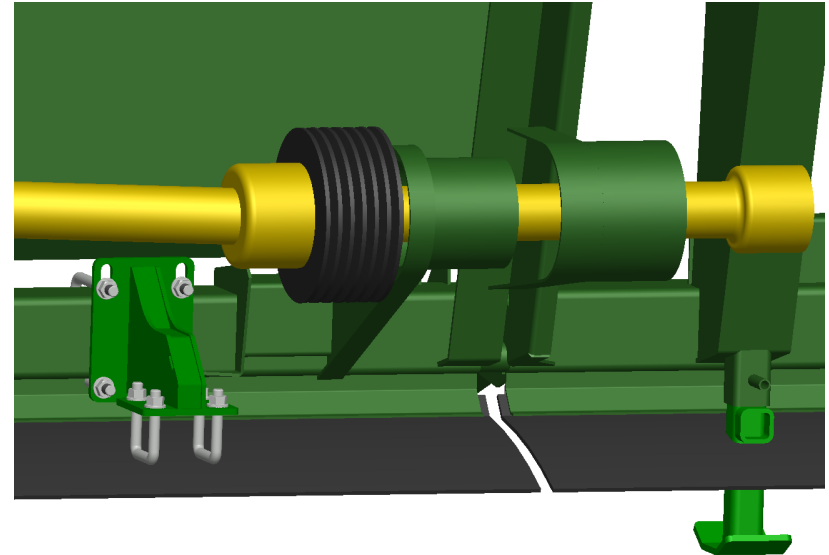


Figure 1.6

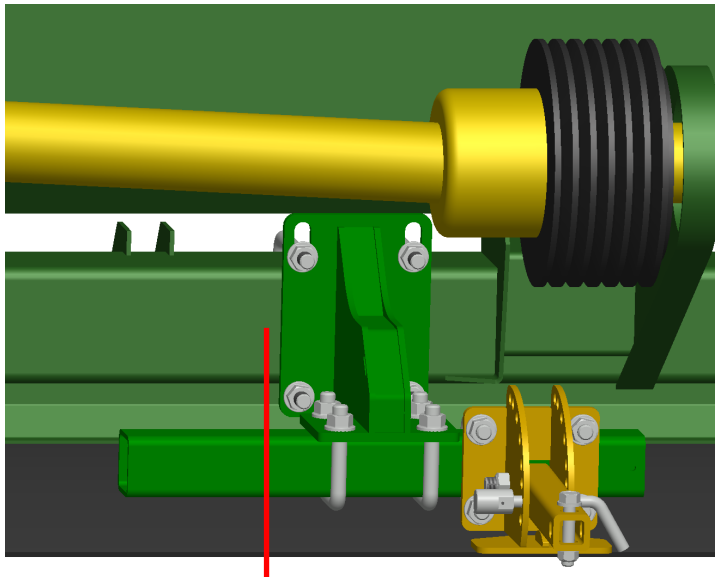
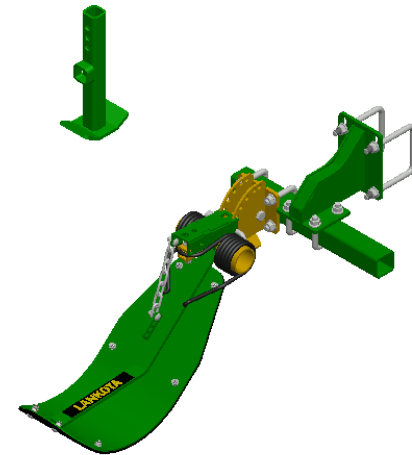
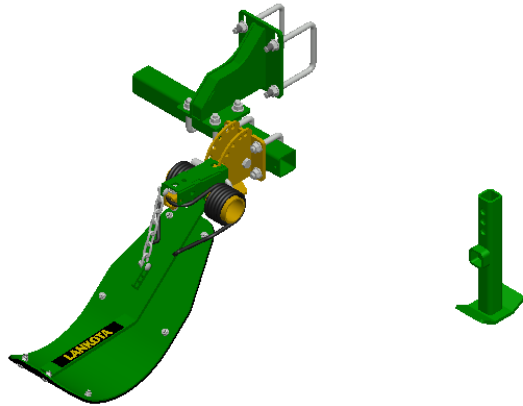


Figure 1.7

Complete Kit (Coverage for Rows 2 & 7)



For further technical assistance,

Call Lankota Inc. at:

1-866-526-5682