

LANSS3406R2/4/6

Installation Instructions

Lankota GENERATION II Stalk Stomper® Mounting Kit for CaseIH® 3400 Series Corn Heads

2/4/6-Row Coverage

LANKOTA®

270 West Park Avenue

Huron, SD 57350

866-526-5682


Numerical Parts List

Part Numbers	Description	Qty
LANSSCIH3400A	Head Toolbar Mount	4
LANSSB67BLK	67" Toolbar	2
LANSS659	Flip up stomper mount	1 per row
LANSS3400R_BH	Box Containing Hardware	1
LANSS400BH	LANSSCIH3400A Bag of Hardware	4
LAN600UBOLT	U-bolt 5/8" x 2.265" ID x 3.75" Long	2
LAN2600UBOLT	U-bolt 4/8" x 4.125" ID x 5.5" Long	2
LAN690830	5/8" Serrated Flange Nut	8
LANSS668BH	LANSS668 Bag of Hardware	1 per row
LAN600UBOLT	U-bolt 5/8" x 2.5"	2
LAN690830	5/8" Serrated Flange Nut	4
LANFNHVK	1/2"-13 x 2.5" Flanged Cap Screw	1
LANFNXC1	1/2"-13 Flanged Nyloc Nut	1
 Optional Part List		
LANSS601A-POLY	Poly skid shoe	1 per row
LANSS601A-POLYBH	8 carriage bolts and flange nuts per bag	8 per row

Pictorial Parts List

			
LANSSCIH3400A (4)	LANSSB67BLK (2)	LANSS659 (2/4/6)	LAN600UBOLT (Varies)
			
LAN690830 (Varies)	LAN2600UBOLT (8)	LANFNHVK (Varies)	LANFNXC1 (Varies)

Optional Pictorial Part List

		
LANSS601A-POLY	3/8" x 1" Carriage Bolt (8 per shoe)	3/8" Flange Lock Nut (8 per shoe)

Preparation

1. Attach desired header to the combine. Lock the head to the combine.
2. Raise the head off the ground and lower the safety stop on the feeder house cylinder.
3. Set the parking brake on the combine.
4. Turn off the combine engine and remove the key.

Stalk Stomper[®] Disclaimer

Stalk Stomper[®] Disclaimer

The most effective use of the Lankota Stalk Stomper[®] is achieved by adjusting the stomper pad so that when the corn head is at its normal cutting height, the pad of the shoe is 1" above the ground. Over compression of the spring can shorten the life of the stomper spring and may result in undue damage NOT covered by *Lankota's Limited Warranty.*

Installation

Refer to Figure 1.1A & 1.1B

1. Remove the shield between rows 1 & 2 by removing the 4 marked carriage bolts. Reinstall and tighten bolts after shield is removed.
2. Repeat between rows 2 & 3, 4 & 5 and 5 & 6.



Figure 1.1A

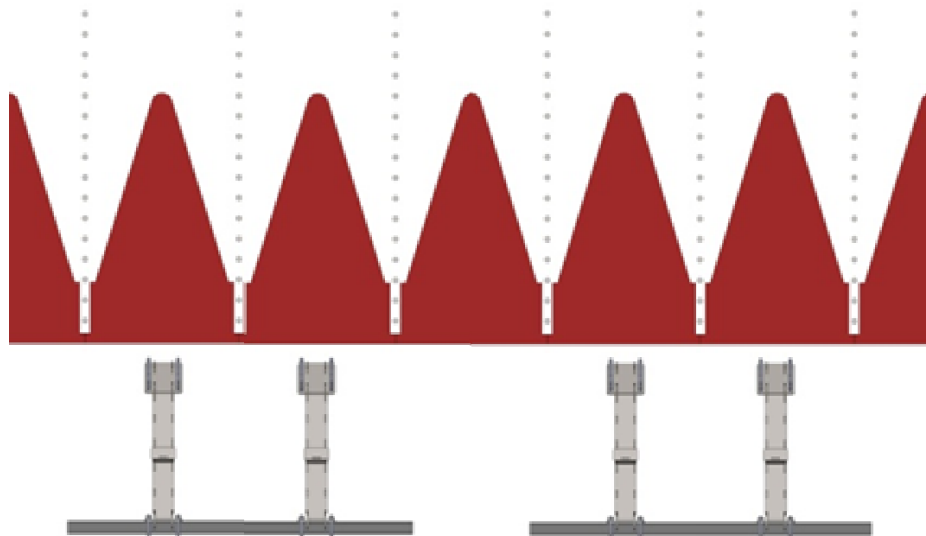


Figure 1.1B

Figure 1.2



Refer to Figure 1.2

- 3. Install the toolbar mount bracket (LANSSCIH3400A) to the head 4" x 4" box tube where the shields were removed. Do not tighten.**

Hardware:

LAN2600UBOLT	U-bolt 5/8" x 4.125"
LAN690830	5/8" Serrated Flange Nut

Refer to Figure 1.3

- 4. Attach the 67" toolbars to the mount brackets. Verify that the toolbar will cover the desired rows.**

Hardware:

LAN600UBOLT	U-bolt 5/8" x 4.125"
LAN690830	5/8" Serrated Flange Nut

- 5. Tighten all hardware.**

Figure 1.3



Refer to Figure 1.5

- 6. Install the LANSS659 row mounts centered in line with each row as shown.**

Hardware:

LAN600UBOLT U-bolt 5/8" x 2.5"

LAN690830 5/8" Serrated Flange Nut

- 7. Tighten all attaching hardware at this time.**

Figure 1.5



Optional Stalk Stomper® Poly Installation

Refer to Figure 1.7

Note: If you did not order the optional poly please skip to step 1.8 on page 9.

- 8. Attach poly wear plates to bottom of the Lankota Stalk Stomper® shoe utilizing 8 bolts and 8 nuts provided in the LANSS601A-POLYBH bag of hardware.**

Figure 1.7



For further technical assistance,

Call Lankota Inc. at:

1-866-526-5682

Refer to Figure 1.8

9. Bolt the Stalk Stomper® shoe (LANSS651) to the flip up mount (LANSS659) using 1 bolt (LANFNHVK) and 1 nyloc nut (LANFNXC1) found in the bags of hardware marked (LANSS668BH). Tighten and secure. Use the flip up option of the flip up mounts (LANSS658) to clear tires on trailers.



Figure 1.8

