

# LANSRJD9R7415

## Installation Instructions

Lankota Stalk Roller Kit for JD® (2015- Present) 9XXXR Series Tractors

**\*\* Not for tractors with tread wider than 208" \*\***

# LANKOTA®

**270 West Park Avenue  
Huron, SD 57350  
866-526-5682**

# Numerical Parts List

Part Numbers	Description	Qty
LANSR030	Tractor Left Mount	1
LANSR031	Tractor Right Mount	1
LANSR032	Mount Cross Support ( <i>Tractor without Front Weights</i> )	1
LANSR033	Mount Cross Support ( <i>Tractor with Front Weights</i> )	1
LANSR034	Mount Spacers ( <i>Tractor with Front Weights</i> )	6
LANSR035	74" Roller Assembly	2
LANSR038	Stalk Roller Left Mount Wing	1
LANSR039	Stalk Roller Right Mount Wing	1
LANSR008	Stalk Roller Wing Pin	2
LANSR009	Stalk Roller Plastic Washer	4
<b>LANSRJD8RHK</b>	<b>Hydraulic Hose kit</b>	<b>1</b>
-----	28" x 3/8" Hydraulic Hose, JIC 6F	2
-----	40" x 3/8" Hydraulic Hose, JIC 6F	2
-----	52" x 3/8" Hydraulic Hose, JIC 6F	2
-----	64" x 3/8" Hydraulic Hose, JIC 6F	2
-----	26 ft (312") x 3/8" Hydraulic Hose, JIC 6F	2
-----	1/32" Orifice Male to Female Adapter	2
-----	9/16" Male JIC to 9/16" Male ORB	2
-----	9/16" Male JIC Tee	2
-----	1/2" Female NPT Quick Coupler	2
-----	1/2" Female NPT to 1/2" Male NPT Tee	2
-----	1/2" NPT Male Coupling	2
-----	9/16" Male JIC to 1/2" Male NPT	2
-----	9/16" Male JIC to 9/16" Male ORB 90 Deg	4

# Numerical Parts List

Part Numbers	Description	Qty
LANW250100-S	Hydraulic Cylinder for Stalk Rollers w/ pins	2
LAN8RTC007	Tow Cable Stow Hook	1
LAN-JDTC105	Cable Stow Latch	1
LANSS704	Twist Lock Pin	3
LANSCA-1	1" Cylinder Stroke Control	4
LANSST-JDTB	Toolbox Mounting Bracket	1
<b>LANSRJD9R7415BH</b>	<b>Box of Hardware Includes:</b>	<b>1</b>
LANF-HHCS-M20-100	M20 x 100 Class 10.9 Hex Bolt	16
LANF1T2M	M20 x 60 Class 10.9 Hex Bolt	10
LANF1S9P	M20-2.5 CL 10.9 Hex Nut	10
LANF-FW-M20	M20 Flat Washer	20
LANFC507	1/2" x 1 3/4" Gr. 8 Hex Bolt	2
RED1F30	1/2" Top Lock Nut	2
LAN690830	5/8" Serrated Flange Nut	34
RED708K	5/8" x 2" Carriage Bolt	8
REDB707	5/8" x 1 3/4" Hex Bolt	3
REDKRJF	5/8" Top Lock Nut	1
LANF-BZBS-0.69-0.5	Bronze Bushing	1
LAN26000	5/8" Flat Washer	3
LAN600UBOLT	5/8" x 2 5/8" U-bolt	1
LAN079UBOLT	U-Bolt - 5/8"-11 x 6.50"	12
LAN506K	1/2"-13 x 1.50" Carriage Bolt	1
LANF1ERQ	1/2"-13 x 2" Carriage Bolt	1
LAN3722	1/2" Serrated Flange Nut	2
LAN22000	1/2" Flat Washer	9

# Numerical Parts List

Part Numbers	Description	Qty
<b>LANSRHRTBH</b>	<b>Bag of Hardware Includes:</b>	<b>1</b>
LAN25162	Double 1" Hose Clamp with Cushion	2
REDB204	Hex Head Cap Screw—5/16"-18 x 1.00", gr. 5	2
LANFWS52	5/16" SAE Flat Washer	2
LAN1616	Nyloc Nut - 5/16"-18, gr. 5	2
LAN44302	11" Zip Tie	12

# Pictorial Parts List

					
LANSR030 (1)	LANSR031 (1)	LANSR032 (1)	LANSR033 (1)	LANSR034 (6)	LANW250100-S (2)
					
LANSR038 (1)	LANSR039 (1)	LANSR008 (2)	LANSR009 (4)	LANSR035 (2)	
					
LAN8RTC007 (1)	LAN-JDTC105 (1)	LANSS704 (3)	LANSCA-1 (4)	RED1F30 (2)	LAN690830 (34)
					
LANF-HHCS-M20-100 (16)	LANF1T2M (10)	LANFC507 (2)	RED708K (8)	LAN44302 (12)	LANF1S9P (10)

# Pictorial Parts List

					
LANF-FW-M20 (20)	REDB707 (3)	REDKRJF (1)	LANF-BZBS-0.69-0.5 (1)	LAN26000 (3)	LAN600UBOLT (1)
					
LAN506K (1) & LANF1ERQ (1)	LAN3722 (2)	LAN22000 (9)	LAN079UBOLT (12)		LANSST-JDTB (1)
					
LAN25162 (2)	REDB204 (2)	LANFWS52 (2)	LAN1616 (2)	LAN44302 (12)	

## Disclaimer

This kit from LANKOTA adds 1700 lbs. to the front of a tractor. Never exceed manufacturer's specified load limit on the front of a tractor! This may mean that weights or a weight bracket may need to be removed from the tractor to install this kit.

**WARNING:** After completing installation, be careful around the wings the first dozen or so times they are folded/unfolded. The process of purging the air from the hoses can cause the wings to jerk up and down dangerously and unexpectedly.

# Installation

1. Remove the OEM toolbox and bracket. Attach the toolbox mounting bracket (LANSST-JDTB) to the left roller mount (LANSR030) with 1/2" x 1 1/2" carriage bolt (LAN506K), 1/2" x 2" carriage bolt (LANF1ERQ) and 1/2" serrated flange nuts (LAN3722). Use nine 1/2" washers (LAN22000) for spacers shown in Figure 2 with a red arrow. The toolbox can be re-attached later.

Tractors without front weights or weight bracket: Skip to Step 4.

2. Remove the three center frame bolts (in front of the front tire) and replace them after removing the washers under the bolt heads (Shown in Figure 2).

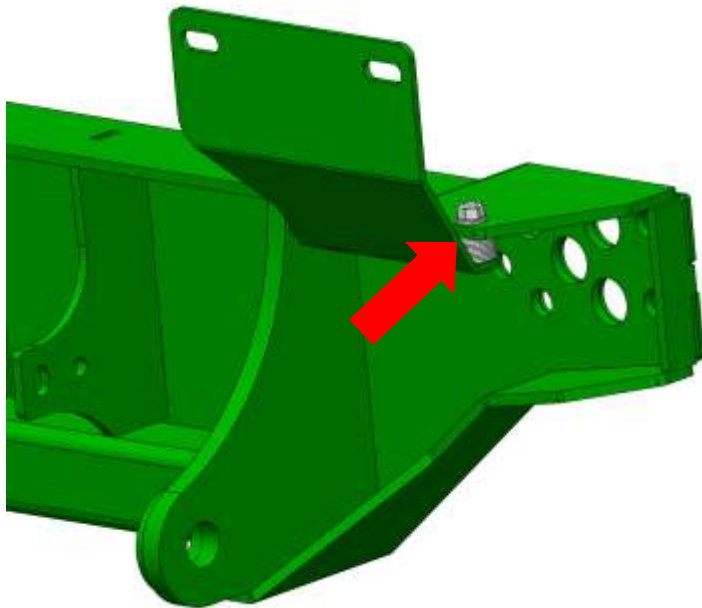


Figure 2



Figure 1



Figure 3



# Installation

## Refer to Figures 4—6

3. Remove the other five bolts (in front of the front tire), while leaving the center three bolts tight, and if present, remove the three bolts in the weight bracket (Shown in Figure 4).
4. Attach mounting bracket LANSR030 (drivers side) and LANSR031 (passenger side) through the five open holes directly in front of the front tire (Shown in Figure 5). If present, temporarily start a bolt through the front of the mount into the weight bracket. (See next page for bolt sizes.)



Figure 4



Figure 5



Figure 6

# Installation

## Refer to Figures 7—9

**For Tractors with Front Weights:** Attach the brackets with five M20 x 100 bolts, washers and nuts. Attach the front of the bracket through the tractor weight bracket using three M20 x 100 bolts while reusing the washers. Use spacers LANSR034 over each of the three bolts in the weight bracket (Shown in Figure 7 with a red arrow).

**For Tractors without Front Weights:** Attach brackets with five M20 x 60 bolts, washers and nuts.

5. Bolt the cross support between the mounts LANSR030 and LANSR031 using 1/2" x 2" carriage bolts and 1/2" serrated flange nuts.

**For Tractors with Front Weights:** Use LANSR033 (Figure 8)

**For Tractors without Front Weights:** Use LANSR032 (Figure 9)

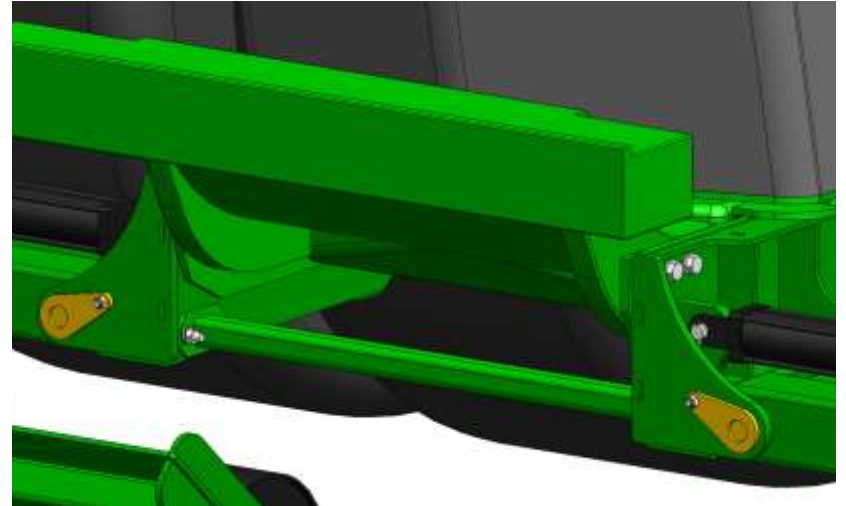


Figure 8

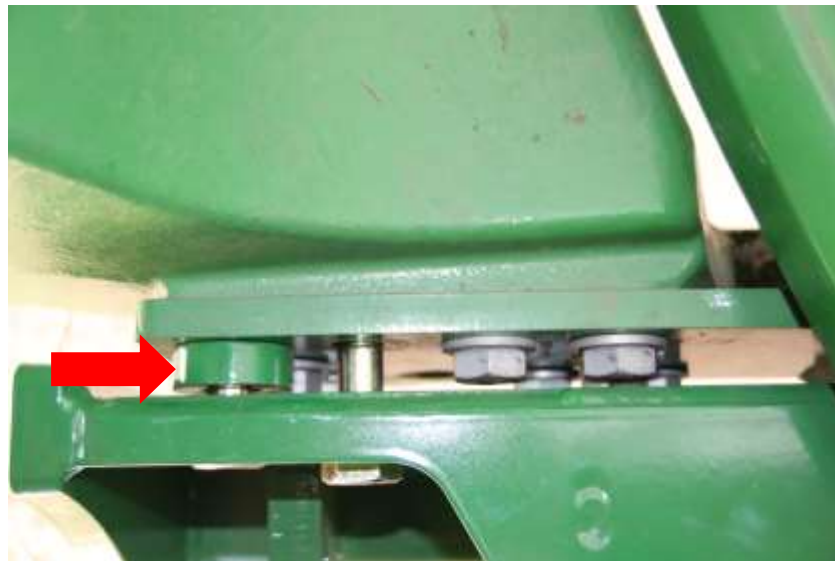


Figure 7

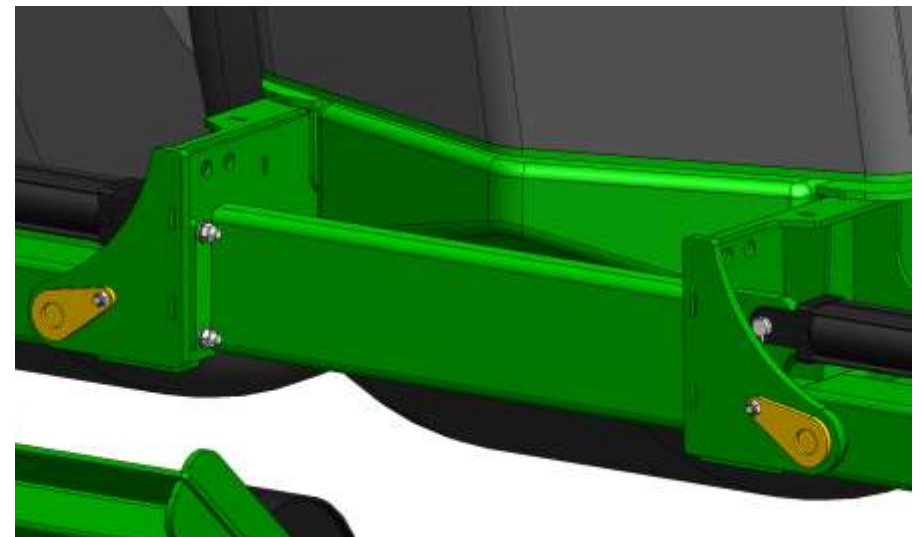


Figure 9

# Installation

## Refer to Figures 10 & 11

6. Plastic washers (LANSR009) are provided to eliminate metal to metal contact between the wing frames (LANSR038 & LANSR039) and the mount frame (LANSR030 & LANSR031). Make sure these are in place in the following steps.
7. Using the pivot pin (LANSR008) attach the wing frames to the mount frame. Retain the pivot pin with the provided 1/2" bolt (LANFC507) and lock nut (RED1F30). When in the driver's seat, LANSR038 will be on your left, and LANSR039 will be on your right.
8. Install the hydraulic cylinders (LANW250100-S) with included pins. Make sure the ports are facing toward the tractor and that the rod end is connected to the wing frames (LANSR038 & LANSR039).

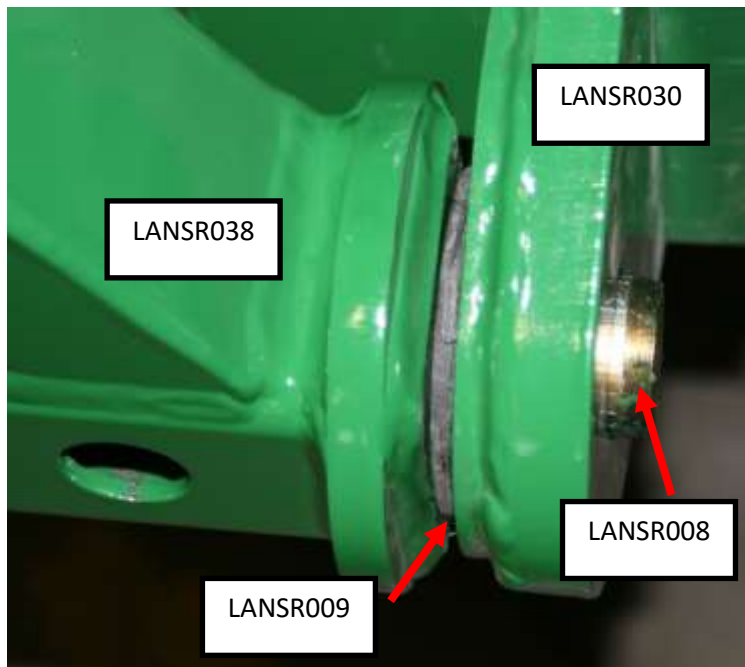


Figure 10



Figure 11



# Installation

## Refer to Figures 12—14

9. When the cylinder is completely extended, the wing frame should be parallel to the ground. There is room for minor adjustments by screwing the clevis in/out of the rod. (If the tractor is parked on a level surface, this can be verified by placing a level on the wing frame as shown in Figure 10.)
10. Using the provided 5/8" U-bolts (LAN079UBOLT) and serrated flange nuts (LAN690830), attach the three row mounts to the stalk roller wing frames (LANSR038 & LANSR039).
11. Slide the roller left or right along the wing to cover the path of the tires. Tighten all U-bolts.

**NOTE: The roller drum will be angled toward the back of the tractor.**



Figure 12



Figure 13

Figure 14



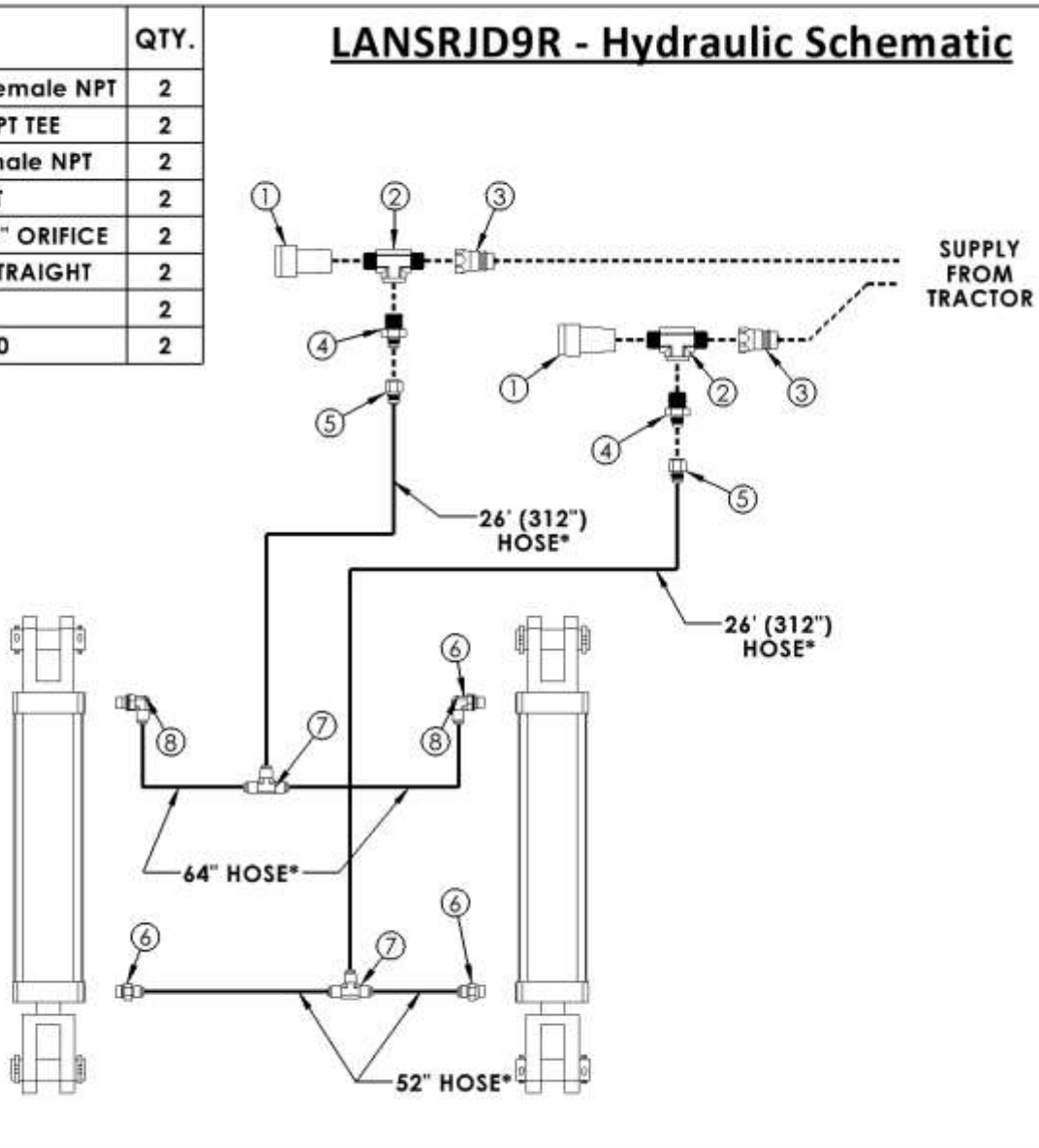
# Hydraulic Schematic

ITEM NO.	DESCRIPTION	QTY.
1	FEMALE QUICK COUPLER - 1/2" Female NPT	2
2	1/2" FEMALE NPT TO 1/2" MALE NPT TEE	2
3	MALE QUICK COUPLER - 1/2" Female NPT	2
4	9/16" MALE JIC TO 1/2" MALE NPT	2
5	9/16" JIC MALE TO FEMALE - 1/32" ORIFICE	2
6	#6 MALE JIC TO #6 MALE ORB - STRAIGHT	2
7	#6 MALE JIC TEE FITTING	2
8	#6 MALE JIC TO #4 MALE ORB - 90	2

\* 3/8" Diameter Hoses



Every hose end is crimped with a straight swivel flange fitting.



# Installation

**NOTE: Use the hydraulic schematic on the previous page as a reference for the following hydraulic installation procedures.**

Refer to Figure 15-16

13. Attach a 90 degree fitting on the base end of the cylinder and a straight fitting on the rod end of the cylinder. A 52" hose will be attached to the straight fitting. A 64" hose will be attached to the 90 degree fitting. Do this on each cylinder.

**Note: Two 90 degree fitting can be used on each cylinder to make the hose routing cleaner.**

14. Both sets of hoses will meet up and attach to the tee fittings in the middle. Make sure cylinder base hoses are together and rod end hoses are together. Also make sure that the hoses have enough freedom to move as the wing frames rotate up 90 degrees.



Figure 15



Figure 16



# Installation

## Refer to Figure 17—18

15. Attach the two 3/2" hoses to the tee fittings and tape the open ends to keep them clean and free of debris. Secure hoses with zip ties.
16. When facing the front axle from the front of the tractor, route the two hoses over the left hand side of the front axle towards the back of the tractor.



Figure 17



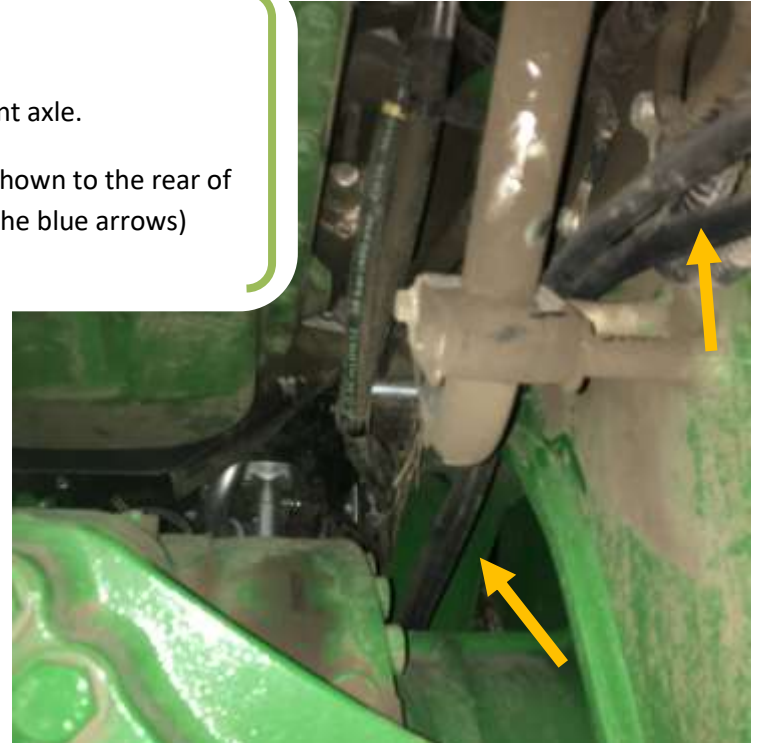
Figure 18

# Installation

Refer to Figures 19 - 25

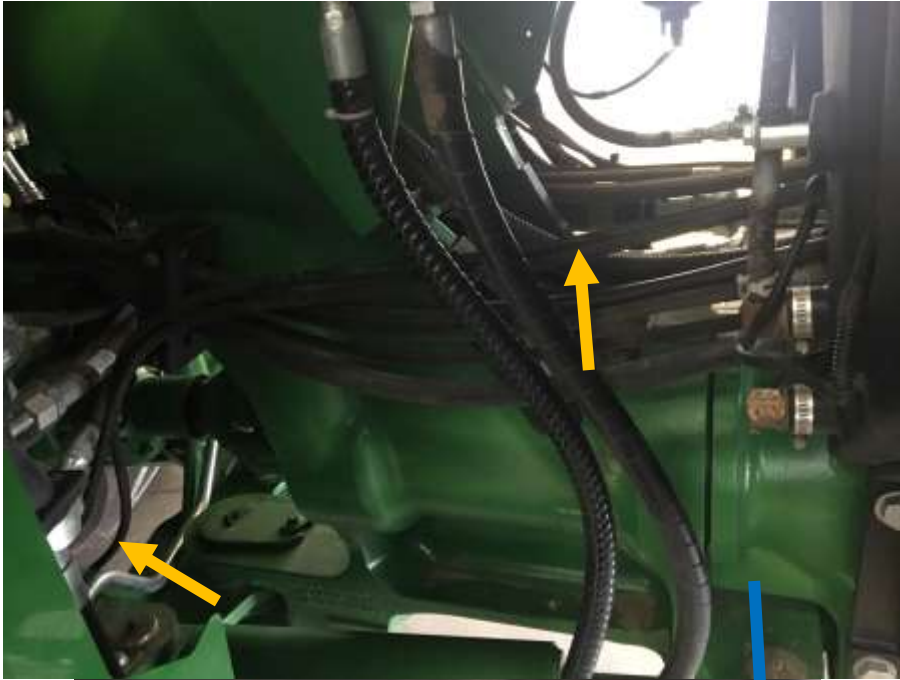
17. Move behind the front axle.

18. Route the hoses as shown to the rear of the tractor. (Follow the blue arrows)





# Installation



Secure the hoses with zip ties wherever necessary.

# Installation

## Refer to Figure 26

19. Connect the tee, adapter and pioneer hydraulic fittings together. Attach to the rear end of the 310" hoses and tighten.

**NOTE:** The tee allows this set of hydraulic remotes to be run simultaneously with another hydraulic circuit if required.

## Refer to Figure 27

20. Plug into a set of hydraulic remotes.



Figure 26



Figure 27



# Installation

## Refer to Figure 28—29

21. Two pins (LANSS704) are included to hold the wing frames UP during long term storage. The purpose is to keep the hydraulic cylinders from settling. An extra hole is provided for storage of the pin while the rollers are in use.
22. Operate the hydraulics up and down to purge the air from the lines and cylinders.
23. Re-attach the OEM toolbox to the toolbox mounting bracket (LANSST-JDTB), using the existing hardware.

## Operating Position

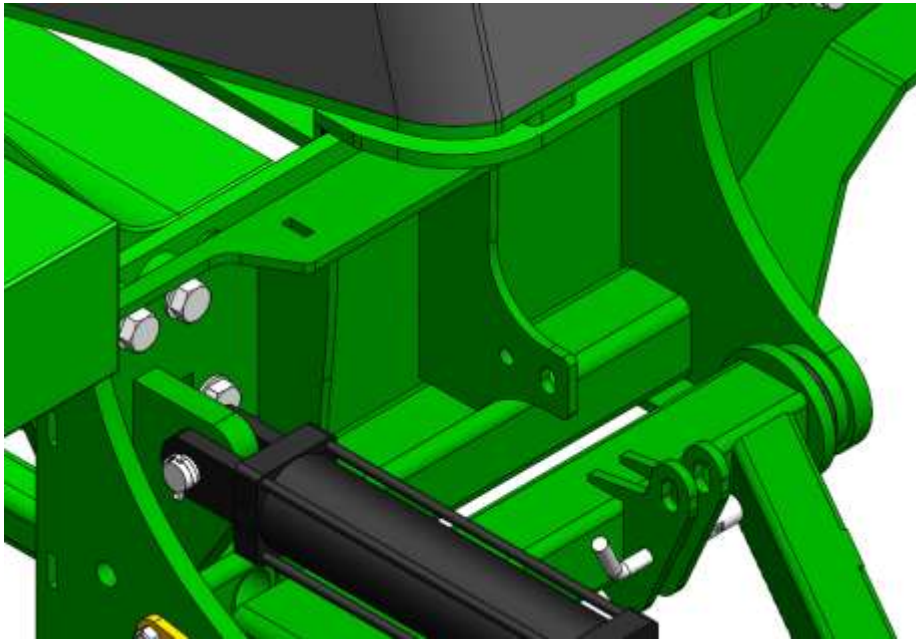


Figure 28



Figure 29

# Installation

## Refer to Figure 30—32

24. If tractor is equipped with a tow cable, the following options are available to support the cable end.

A. If equipped with weights, the original storage pin can be swapped to the inside of the weight bracket as shown in Figure 30. The cable storage hook (LAN8RTC007) and stow latch (LANJDTC105) can also be attached to the cross square tube. Connect the two with a 5/8" x 1 3/4" bolt (REDB707), bronze bushing (LANF-BZBS-0.69-0.50), 5/8" washer (LAN26000), and 5/8" top lock nut (REDKRJF). Attach the assembly to the tube with the u-bolt (LAN600UBOLT) and 5/8" serrated flange nuts (LAN690830).

B. If no front weights are present, attach the assembly to the cross member (LANSR032) with 5/8" x 1 3/4" bolts (REDB707), 5/8" washers (LAN26000), and 5/8" serrated flange nuts.



Figure 30

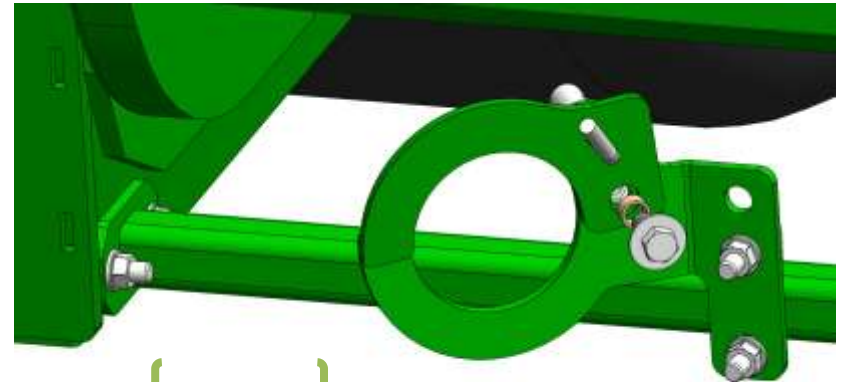


Figure 31

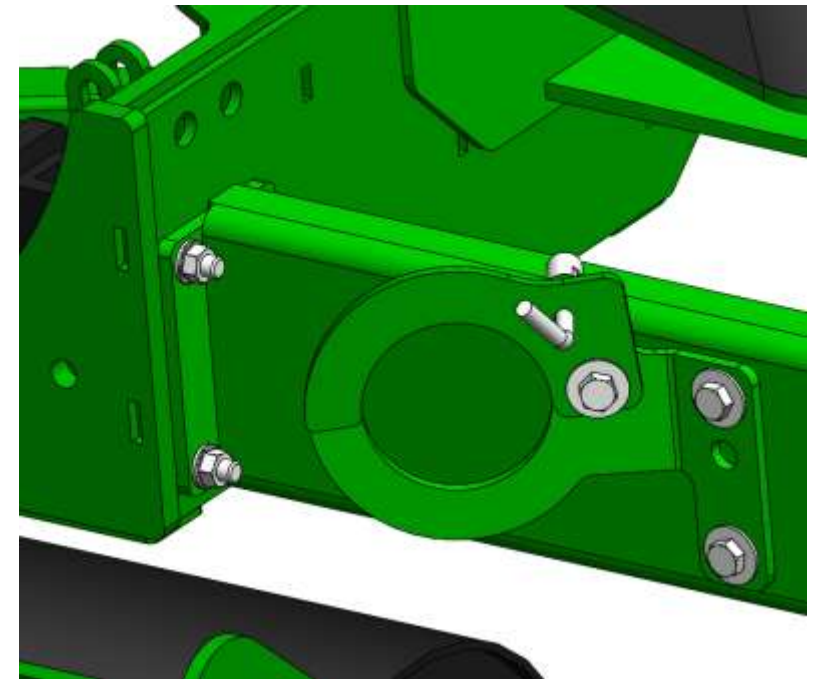


Figure 32

# Headlight Clearance Consideration

Refer to Figures A, B & C

If additional light clearance is required, install cylinder stops (LANSCA-1) as necessary (one or two) on each cylinder to hold the roller arms away from the lights.

**Note:** The cylinder stops will need to be removed in order to utilize the storage pin position (See



Figure A

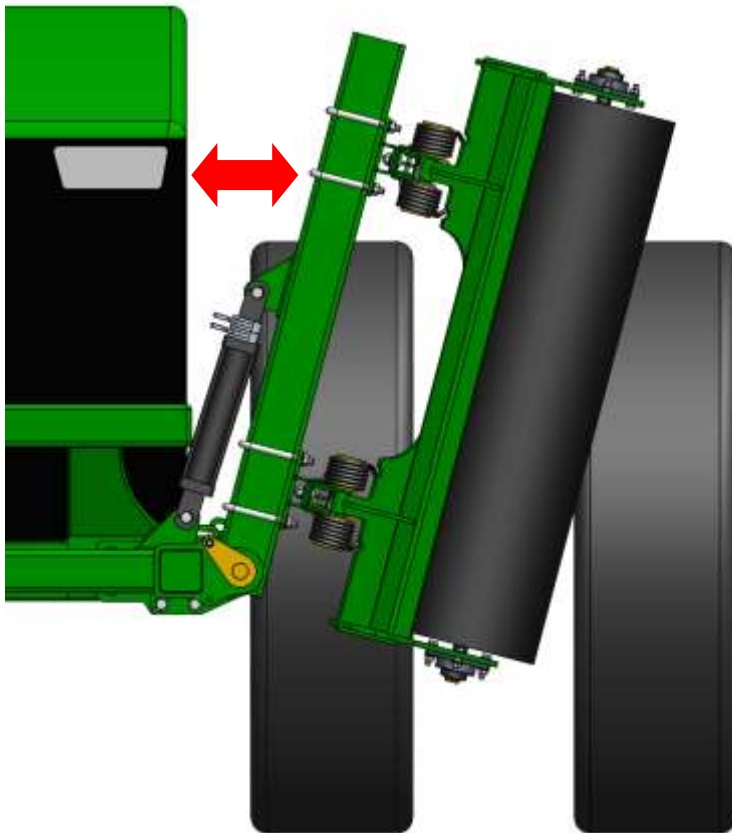


Figure B

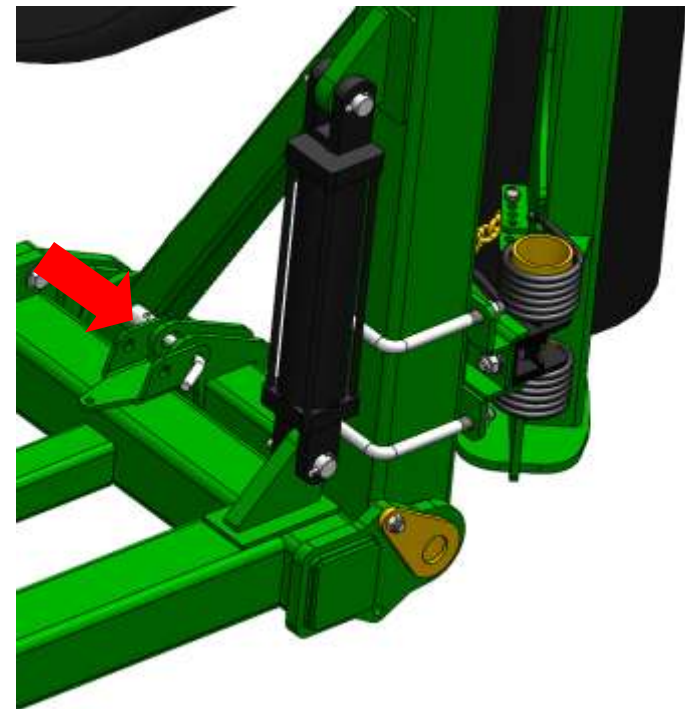


Figure C

# Stalk Roller Disclaimer

## *Stalk Roller Disclaimer*

The most effective use of the Lankota Stalk Roller is achieved by adjusting the chain on the roller so that when they are unfolded, the roller drum is just touching the ground and the spring is not compressed. Over compression of the spring can shorten the life of the roller spring and may result in undue damage NOT covered by Lankota's Limited Warranty.



For further technical assistance,  
call Lankota Inc. at:  
**1-866-526-5682**