

LANSRJD9R5222

Installation Instructions

Lankota 52" Stalk Roller Kit for JD® (2022+ MY with Weight Bracket) 9XXXR Series Tractors

**** Not for tractors with tread wider than 170" ****

LANKOTA®

**270 West Park Avenue
Huron, SD 57350
866-526-5682**

Numerical Parts List

Part Numbers	Description	Qty
LANSR003	52" Roller Assembly	2
LANSR005	Stalk Roller Mount Frame	1
LANSR006	Stalk Roller Left Mount Wing	1
LANSR007	Stalk Roller Right Mount Wing	1
LANSR008	Stalk Roller Wing Pin	2
LANSR009	Stalk Roller Plastic Washer	4
LANSR066	Stalk Roller Mount (Left) for JD 9R Tractors	1
LANSR066M	Stalk Roller Mount (Right) for JD 9R Tractors	1
LANSRJD8RHK	Hydraulic Hose kit	1
-----	28" x 3/8" Hydraulic Hose, JIC 6F	2
-----	40" x 3/8" Hydraulic Hose, JIC 6F	2
-----	52" x 3/8" Hydraulic Hose, JIC 6F	2
-----	64" x 3/8" Hydraulic Hose, JIC 6F	2
-----	26 ft (312") x 3/8" Hydraulic Hose, JIC 6F	2
-----	1/32" Orifice Male to Female Adapter	2
-----	9/16" Male JIC to 9/16" Male ORB	2
-----	9/16" Male JIC Tee	2
-----	1/2" Female NPT Quick Coupler	2
-----	1/2" Female NPT to 1/2" Male NPT Tee	2
-----	1/2" NPT Male Coupling	2
-----	9/16" Male JIC to 1/2" Male NPT	2
-----	9/16" Male JIC to 9/16" Male ORB 90 Deg	4






Numerical Parts List

Part Numbers	Description	Qty
LANF3231	1/4"-28 Grease Zerk	4
LANW250100-S	Hydraulic Cylinder for Stalk Rollers w/ pins	2
LAN8RTC007	Tow Cable Stow Hook	1
LAN-JDTC105	Cable Stow Latch	1
LANSCA-1	1" Cylinder Stroke Control	4
LANSRJD9R5222BH	Box of Hardware Includes:	1
LANFC507	1/2" x 1-3/4" Gr. 8 Hex Bolt	2
RED1F30	1/2" Top Lock Nut	2
REDB710	5/8"-11 x 2-1/2" Gr. 5 Hex Bolt	8
LANFWS57	5/8" SAE Washer	8
LAN690830	5/8" Serrated Flange Nut	34
LAN19M7800	M8-1.25 x 50 mm Bolts	1
LAN112567	Cover Plates	3
LAN120847	Hydraulic Holder Halves	6
LAN1616	5/16"-18 Nylon Insert Lock Nut	3
LANFCJ9MC	1-3/8" Bi-Metal Hole Saw	1
LANF-HHCS-M24-160	M24 x 160 Class 10.9 Hex Bolt	14
LANF0FC4	M24 Lock Washer	14
REDB707	5/8" x 1 3/4" Hex Bolt	1
REDKRJF	5/8" Top Lock Nut	1
LAN26000	5/8" Flat Washer	2
LANF-BZBS-0.69-0.5	Bronze Bushing	1
LAN600UBOLT	5/8" x 2-5/8" U-bolt	1
LAN2600UBOLT	5/8" x 4" U-bolt	1
LAN079UBOLT	UBOLT - 5/8"-11 x 6.50"	12
LANSS704	Stalk Stomper Twist Pin	3

Numerical Parts List

Part Numbers	Description	Qty
LANSRHRTBH	Bag of Hardware Includes:	1
LAN25162	Double 1" Hose Clamp with Cushion	2
REDB204	Hex Head Cap Screw—5/16"-18 x 1.00", gr. 5	2
LANFWS52	5/16" SAE Flat Washer	2
LAN1616	Nyloc Nut - 5/16"-18, gr. 5	2
LAN44302	11" Zip Tie	12

Pictorial Parts List

					
LANSR003 (2)	LANSR005 (1)	LANSR006 (1)	LANSR007 (1)	LANSR008 (2)	LANSR009 (4)
					
LANSR066 (1)	LANSR066M (1)	LANW250100-S (2)	LAN8RTC007 (1)	LAN-JDTC105 (1)	LANSKA-1 (4)
					
LANFC507 (2)	RED1F30 (2)	LANSS704 (3)	REDB710 (8)	LANFWS57 (8)	LAN690830 (34)
					
LAN079UBOLT (12)	REDB707 (1)	REDKRJF (1)	LANF-BZBS-0.69-0.5 (1)	LAN26000 (2)	LAN600UBOLT (1)

Pictorial Parts List

					
LANF-HHCS-M24-160 (14)	LANF0FC4 (14)	LAN112567 (3)	LAN120847 (6)	LAN1616 (5)	LAN19M7800 (1)
					
LAN2600UBOLT (1)	LAN25162 (2)	REDB204 (2)	LANFWS52 (2)	LAN44302 (12)	

Disclaimer

This kit from LANKOTA adds 1300 lbs. to the front of a tractor. Never exceed manufacturer's specified load limit on the front of a tractor! This may mean that weights or a weight bracket may need to be removed from the tractor to install this kit.

WARNING: After completing installation, be careful around the wings the first dozen or so times they are folded/unfolded. The process of purging the air from the hoses can cause the wings to jerk up and down dangerously and unexpectedly.

Installation

Refer to Figure 1

IMPORTANT: The wing frames of the stalk roller kit fold up vertically on either side of the suitcase weights at the front of the tractor. The weights should be centered on the weight bracket and be no more than 27" wide to avoid collision with the hydraulic cylinders. If your weights are wider than this, you may need to remove a few of them. Once the kit is installed, verify that you have proper clearance.

1. Support the weights and weight bracket to allow you to remove one side of the bolts at a time without allowing the weight bracket to move.
2. Remove the **FIVE OF THE SEVEN** 24mm OEM bolts on one side of the weight bracket. Leave in the two bolts circled in Figure 1.



Figure 1

Installation

Refer to Figures 2 & 3

3. Using the provided M24 x 160mm Class 10.9 Hex Head Bolts (LANF-HHCS-M24-160) and M24 Lock Washers (LANF0FC4), attach one Stalk Roller Mount (LANSR066 on the left side & LANSR066M on the right side) on the front face of the weight bracket.
4. Repeat this process on the other side so that both mounts are attached and the weight bracket is securely attached to the tractor.

Figure 2

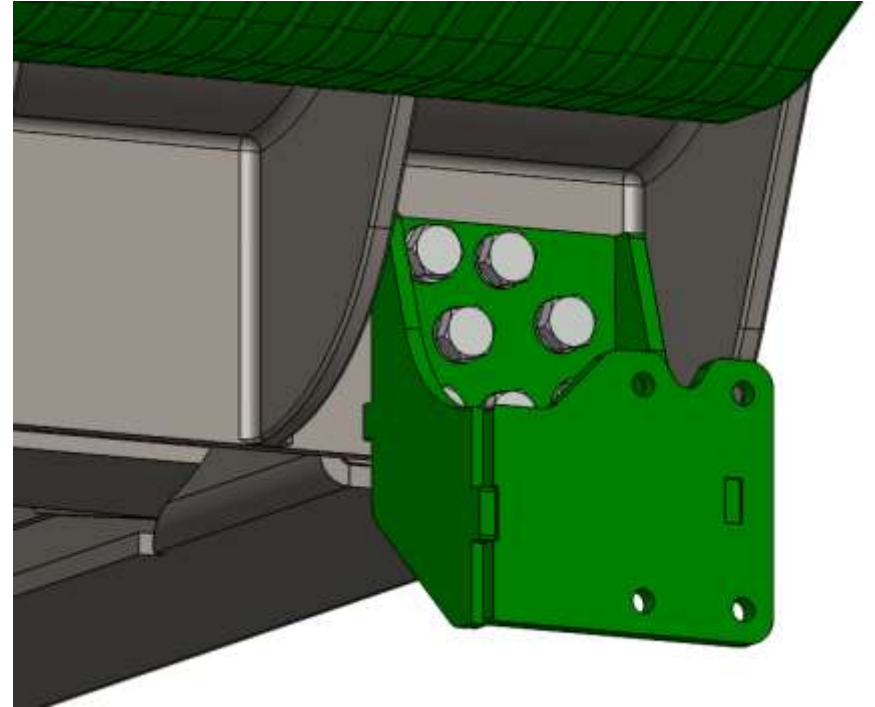
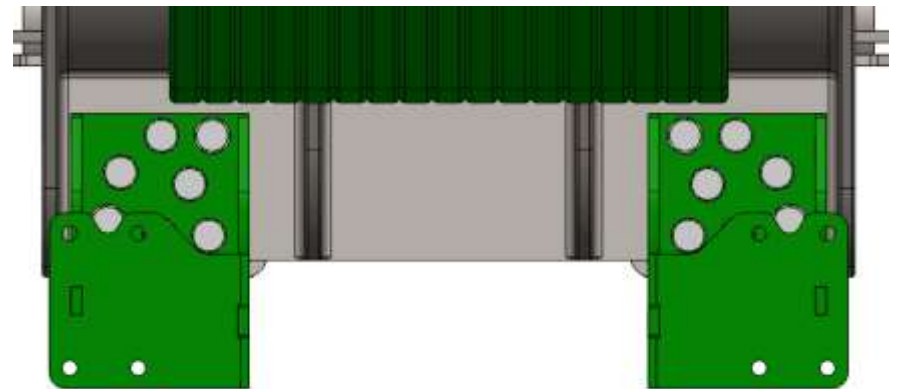


Figure 3

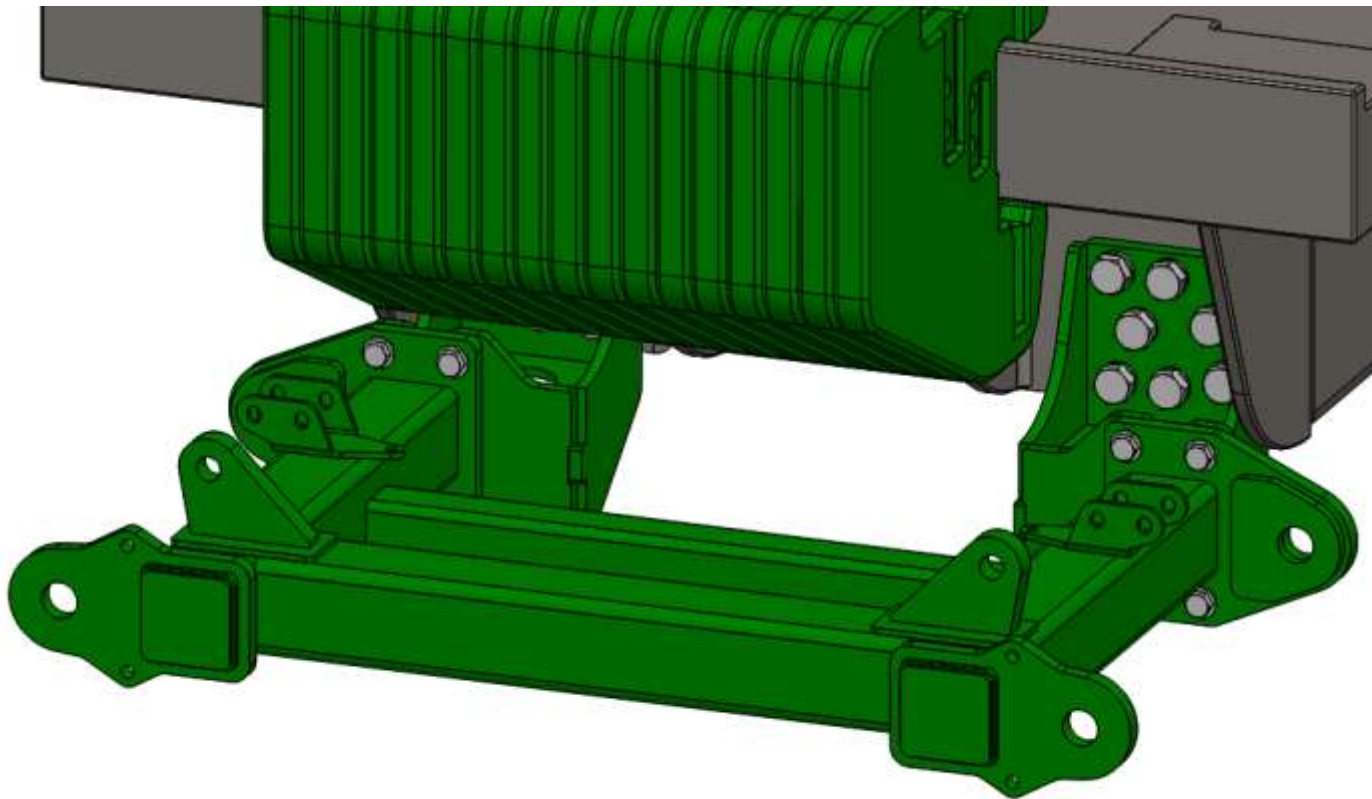


Installation

Refer to Figure 4

5. Attach the Stalk Roller Mount Frame (LANSR005) to the Stalk Roller Mount (LANSR066 & LANSR066M) using the provided 5/8"-11 x 2-1/2" Grade 5 Hex Head Bolts (REDB710), 5/8" SAE Flat Washers (LANFWS57), and 5/8"-11 Serrated Flange Nuts (LAN690830). ***Make sure the washers are on the bolt head side of the plate!***

Figure 4



Installation

Refer to Figures 5 & 6

6. Plastic washers (LANSR009) are provided to eliminate metal to metal contact between the wing frames (LANSR006 & LANSR007) and the mount frame (LANSR005). Make sure these are in place in the following steps.
7. Using the pivot pin (LANSR008) attach the wing frames to the mount frame. Retain the pivot pin with the provided 1/2" bolt (LANFC507) and lock nut (RED1F30). When in the driver's seat, LANSR006 will be on your left, and LANSR007 will be on your right.
8. Install the hydraulic cylinders (LANW250100-S) with included pins. Make sure the ports are facing toward the tractor and that the rod end is connected to the wing frames (LANSR006 & LANSR007).

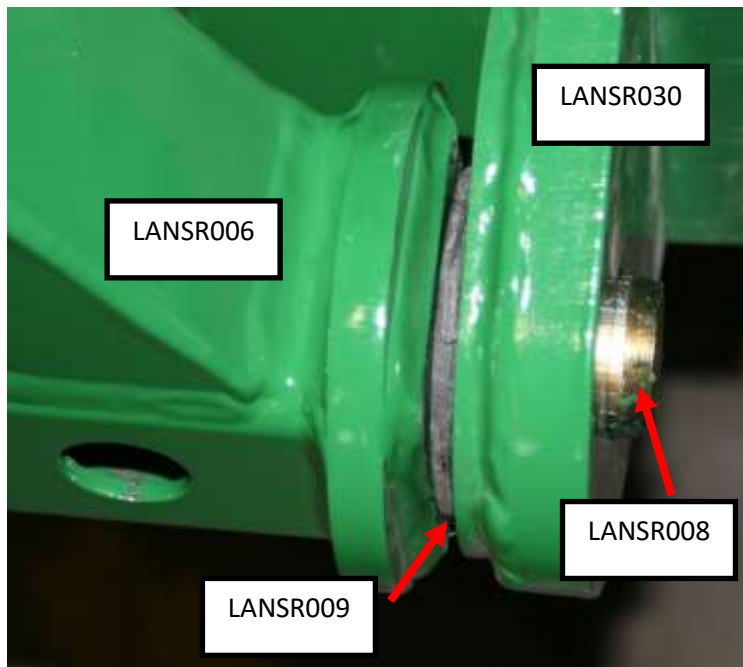


Figure 5



Figure 6

Installation

Refer to Figures 7-9

9. When the cylinder is completely extended, the wing frame should be parallel to the ground. There is room for minor adjustments by screwing the clevis in/out of the rod. (If the tractor is parked on a level surface, this can be verified by placing a level on the wing frame as shown in Figure 7.)
10. Using the provided 5/8" U-bolts (LAN079UBOLT) and serrated flange nuts (LAN690830), attach the 52" roller assembly (LANSR003) to the stalk roller wing frames (LANSR006 & LANSR007).
11. Slide the roller left or right along the wing to cover the path of the tires. Tighten all U-bolts.

NOTE: The roller drum will be angled toward the back of the tractor.



Figure 7



Figure 8



Figure 9

Hydraulic Schematic

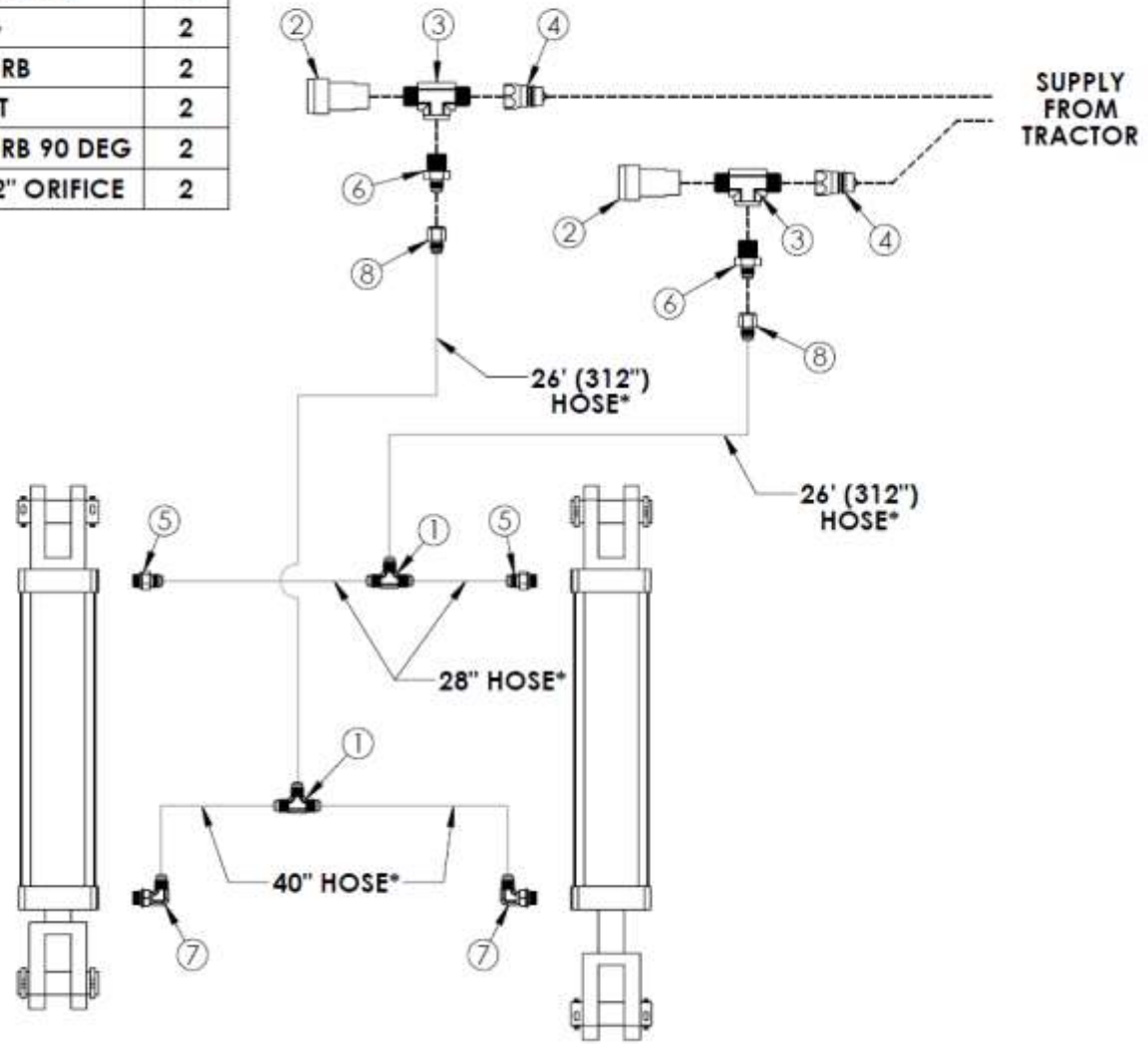
ITEM NO.	DESCRIPTION	QTY.
1	9/16" MALE JIC TEE	2
2	1/2" FEMALE NPT QUICK COUPLER	2
3	1/2" FEMALE NPT TO 1/2" MALE NPT TEE	2
4	1/2" NPT MALE NIPPLE COUPLING	2
5	9/16" MALE JIC TO 9/16" MALE ORB	2
6	9/16" MALE JIC TO 1/2" MALE NPT	2
7	9/16" MALE JIC TO 9/16" MALE ORB 90 DEG	2
8	9/16" JIC MALE TO FEMALE - 1/32" ORIFICE	2

* 3/8" Diameter Hoses



Every hose end is crimped with a straight swivel flange fitting.

LANSRJD8R - Hydraulic Schematic



Installation

NOTE: Use the hydraulic schematic on the previous page as a reference for the following hydraulic installation procedures.

Refer to Figure 10-11

12. Attach a straight fitting on the base end of the cylinder and a 90 degree fitting on the rod end of the cylinder. A 28" hose will be attached to the straight fitting. A 40" hose will be attached to the 90 degree fitting. Do this on each cylinder.
13. Both sets of hoses will meet up and attach to the tee fittings in the middle. Make sure cylinder base hoses are together and rod end hoses are together. Also make sure that the hoses have enough freedom to move as the wing frames rotate up 90 degrees. Attach the two 312" hoses to the tee fittings and route them under the front end of the tractor.



Figure 10



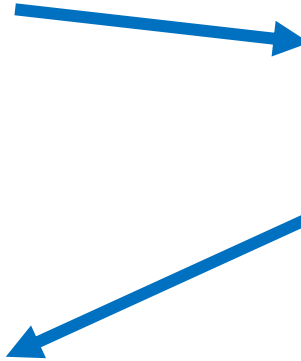
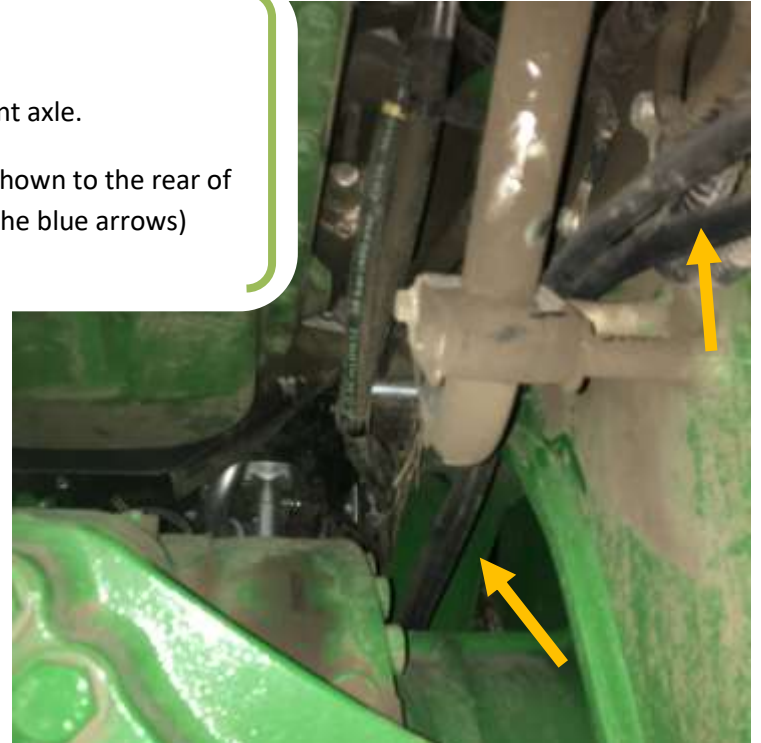
Figure 11

Installation

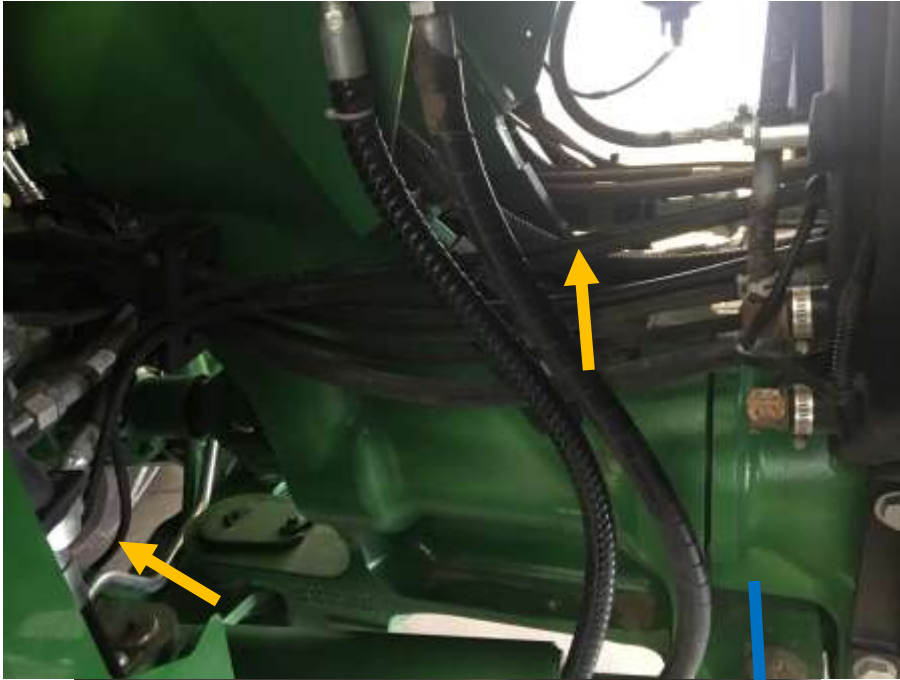
Refer to Figures 12 - 18

14. Move behind the front axle.

15. Route the hoses as shown to the rear of the tractor. (Follow the blue arrows)



Installation



Secure the hoses with zip ties wherever necessary.

Installation

Refer to Figure 19

16. Connect the tee, adapter and pioneer hydraulic fittings together. Attach to the rear end of the 310" hoses and tighten. **NOTE: The tee allows this set of hydraulic remotes to be run simultaneously with another hydraulic circuit if required.**

Refer to Figure 20

17. Plug into a set of hydraulic remotes.



Figure 19



Figure 20

Installation

Refer to Figure 21-22

18. Two pins (LANSS704) are included to hold the wing frames UP during long term storage. The purpose is to keep the hydraulic cylinders from settling. An extra hole is provided for storage of the pin while the rollers are in use.

Storage Position



Figure 21

Operating Position



Figure 22

Installation

Refer to Figure 23-24

19. If equipped with a tow cable kit, use the cable stow hook (LAN8RTC007) and stow latch (LANJDTC105) to hold up the end of the cable. Connect the two with a 5/8" x 1 3/4" bolt (REDB707), bronze bushing (LANF-BZBS-0.69-0.50), 5/8" washer (LAN26000), and 5/8" top lock nut (REDKRJF).
20. Depending on the cable length, use the 5/8" x 4" U-bolt (LAN2600UBOLT) on the front center tube, or the 5/8" x 2 5/8" U-bolt on the rear center tube.

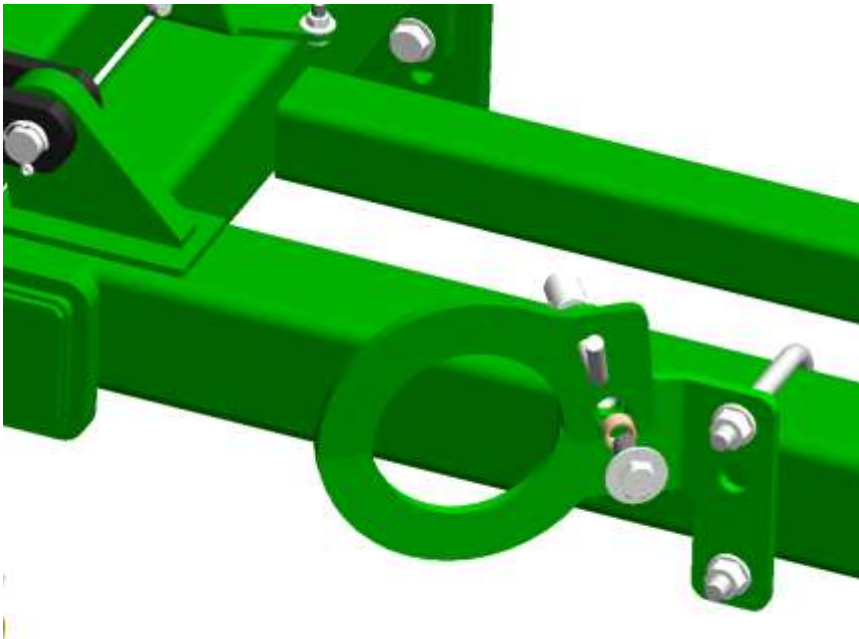


Figure 23



Figure 24

Headlight Clearance Consideration

Refer to Figures A, B & C

If additional light clearance is required, install cylinder stops (LANSCA-1) as necessary (one or two) on each cylinder to hold the roller arms away from the lights.

Note: The cylinder stops will need to be removed in order to utilize the storage pin position (See Figure C).

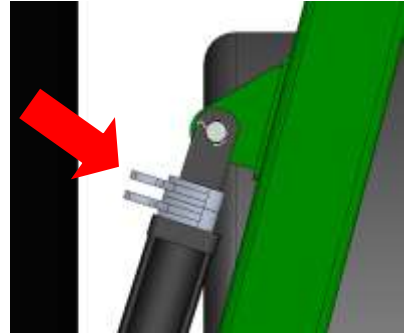


Figure A

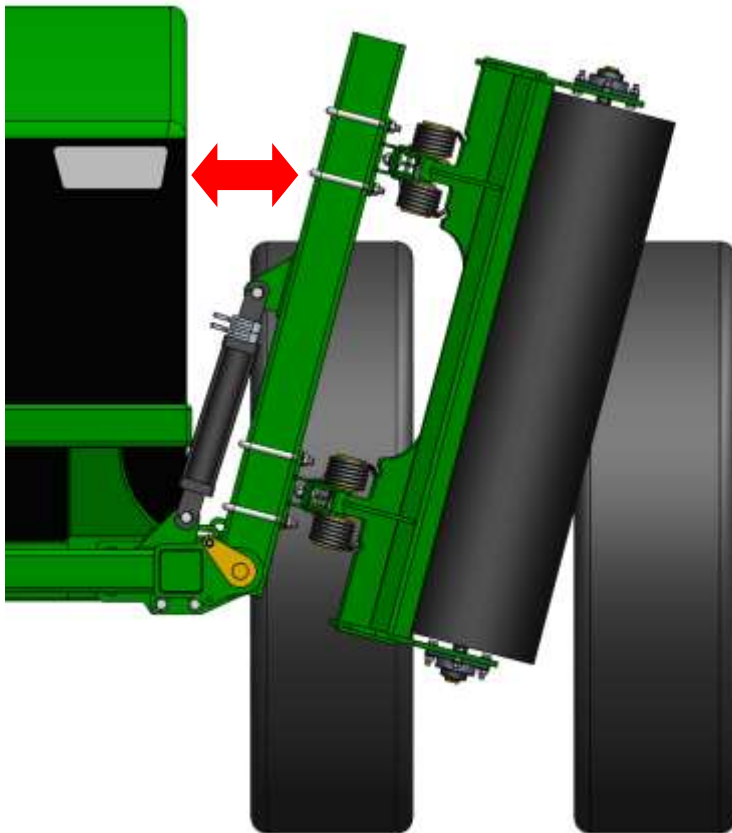


Figure B

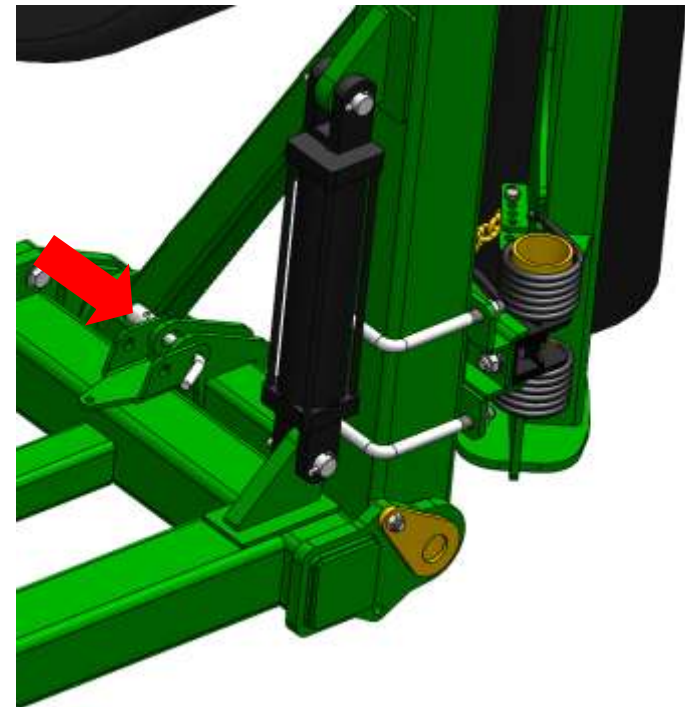


Figure C

Stalk Roller Disclaimer

Stalk Roller Disclaimer

The most effective use of the Lankota Stalk Roller is achieved by adjusting the chain on the roller so that when they are unfolded, the roller drum is just touching the ground and the spring is not compressed. Over compression of the spring can shorten the life of the roller spring and may result in undue damage **NOT** covered by Lankota's Limited Warranty.



For further technical assistance,
call Lankota Inc. at:
1-866-526-5682