

# LANSRJD8RX

## Installation Instructions

Lankota Stalk Roller Kit for JD® 8RX Series Four Tracked Tractors

# LANKOTA®

**NOTE:** This kit requires the removal of the factory weight bracket and weights on the front of the 8RX tractor. An optional weight bracket kit (LANSR046K) can be purchased from Lankota that will allow you to add up to 1000 lbs. back with the stalk roller kit installed.

**270 West Park Avenue  
Huron, SD 57350  
866-526-5682**

# Numerical Parts List

Part Numbers	Description	Qty
LANSR003	FWA Stalk Roller Assembly	2
LANSR005	FWA Stalk Roller Mount Frame	1
LANSR006	FWA Stalk Roller Wing Frame	1
LANSR007	FWA Stalk Roller Wing Frame	1
LANSR008	FWA Stalk Roller Wing Pin	2
LANSR009	FWA Stalk Roller Plastic Washer	4
LANSR045	Stalk Roller Mount for JD 8RX Tractors	1
LANW250100-S	Hydraulic Cylinder for Stalk Rollers	2
LANF1T2M	Hex Head Cap Screw - M20-2.5 x 60mm, gr. 10.9	8
LANFMLW0	Lock Washer - M20	8
REDWU58	Flat Washer—3/4"	8
LANSR012	FWA Hydraulic Hose Bolt (20mm thread)	2
LANSR013	FWA Hydraulic Hose Bolt (16mm thread)	1
LANSS704	Stalk Stomper Pin Assembly - Bent Pin	2
LANSCA-1	1" Cylinder Stroke Control	4
<b>LANSRJD8RHK</b>	<b>Hydraulic Hose kit for JD8R Stalk Rollers</b>	<b>1</b>
-----	28" Hydraulic Hose - 3/8"	2
-----	40" Hydraulic Hose - 3/8"	2
-----	26 ft (312") Hydraulic Hose - 3/8"	2
-----	9/16" Male JIC to 9/16" Male ORB	2
-----	9/16" Male JIC Tee	2
-----	1/2" Female NPT Quick Coupler	2
-----	1/2" Female NPT to 1/2" Male NPT Tee	2
-----	1/2" NPT Male Coupling	2
-----	9/16" Male JIC to 1/2" Male NPT	2
-----	9/16" Male JIC to 9/16" Male ORB 90 Deg	4

# Numerical Parts List

Part Numbers	Description	Qty
<b>LANSRJD8RBH</b>	<b>Box of Hardware Includes:</b>	<b>1</b>
LANFC507	Hex Head Cap Screw - 1/2"-13 x 1.75", gr. 8	2
RED1F30	Top Lock Nut - 1/2"-13, gr. 5	2
LAN20180	Hex Head Cap Screw - M20-2.5 x 190mm, gr. 10.9	8
LANFRCRF	Hex Head Cap Screw - M20-2.5 x 220mm, gr. 10.9	8
LANFWS57	SAE Flat Washer - 5/8"	8
REDB712	Hex Head Cap Screw - 5/8"-11 x 3.00", gr. 5	8
REDB710	Hex Head Cap Screw - 5/8"-11 x 2.50", gr. 5	8
LAN690830	Serrated Flange Nut - 5/8"-11, gr. 5	24
LAN079UBOLT	UBOLT - 5/8"-11 x 6.50"	4
LAN19M7800	Flange Bolt - M8-1.5 x 50mm, gr. 10.9	1
LAN112567	Cover Plate	3
LAN120847	Hydraulic Hose Holder Half	6
LANF3231	Grease Zerk - 1/4"-28	4
LANFMLW0	Lock Washer - M20	8
LAN1616	Nyloc Nut - 3/16"-18, gr. 5	3
LANFCJ9MC	1-3/8" Hole Saw	1
<b>LANSRHRTBH</b>	<b>Bag of Hardware Includes:</b>	<b>1</b>
LAN25162	Double 1" Hose Clamp with Cushion	2
REDB204	Hex Head Cap Screw—5/16"-18 x 1.00", gr. 5	2
LANFWS52	5/16" SAE Flat Washer	2
LAN1616	Nyloc Nut - 5/16"-18, gr. 5	2
LAN44302	11" Zip Tie	12

## Numerical Parts List—Optional Weight Bracket Kit (LANSR046K)

<b>Part Numbers</b>	<b>Description</b>	<b>Qty</b>
LANSR046	Stalk Roller Weight Bracket for JD 8RX Tractors	1
LANB718	Hex Head Cap Screw - 5/8"-11 x 4.50", gr. 5	4
LANFWS57	SAE Flat Washer - 5/8"	4
LAN690830	Serrated Flange Nut - 5/8"-11, gr. 5	4


# Pictorial Parts List

					
LANSR003 (2)	LANSR045 (1)	LANSR005 (1)	LANSR006 (1)	LANSR007 (1)	LANSR008 (2)
					
LANSR009 (4)	LAN079UBOLT (8)	LANW250100-S (2)	LANF3231 (4)	LANSR012 (2)	LANSR013 (1)
					
LANSS704 (2)	LANSCA-1 (4)	REDB710 (8)	RED1F30 (2)	LAN20180 (8)	LANFWS57 (8)
					
REDB712 (8)	LAN690830 (24)	LAN19M7800 (1)	LAN112567 (3)	LAN120847 (6)	LANFC507 (2)

## Pictorial Parts List (continued)

					
LANFMLW0 (16)	LAN1616 (3)	LANFCJ9MC (1)	LANFRCRF (8)	LANF1T2M (8)	REDWU58 (8)
					
LAN25162 (2)	REDB204 (2)	LANFWS52 (2)	LAN1616 (2)	LAN44302 (12)	

## Optional Weight Bracket Kit (LANSR046K)

			
LANSR046 (1)	LANB718 (4)	LANFWS57 (4)	LAN690830 (4)

## Disclaimer

This kit from LANKOTA adds 1300 lbs. to the front of a tractor. Never exceed manufacturer's specified load limit on the front of a tractor! This may mean that weights or a weight bracket may need to be removed from the tractor to install this kit.

**WARNING:** After completing installation, be careful around the wings the first dozen or so times they are folded/unfolded. The process of purging the air from the hoses can cause the wings to jerk up and down dangerously and unexpectedly.

# Installation

Refer to Figure 1.1

1.1 Remove the factory weights or weight bracket that is on the front side of the tractor frame.

1.2 Install the stalk roller mount (LANSR045) on the front of the tractor with the supplied M20 bolts (LANF1T2M), lock washers (LANFMLW0) and 3/4" Flat Washers (REDWU58).

**IF YOU PURCHASED THE OPTIONAL LANKOTA WEIGHT BRACKET KIT (LANSR046K)**

1.3 Fasten the Lankota weight bracket (LANSR046) to the top of the stalk roller mount with the provided 5/8" bolts (LANB718), SAE Flat Washers (LANFWS57) and the serrated flange nuts (LA690830).

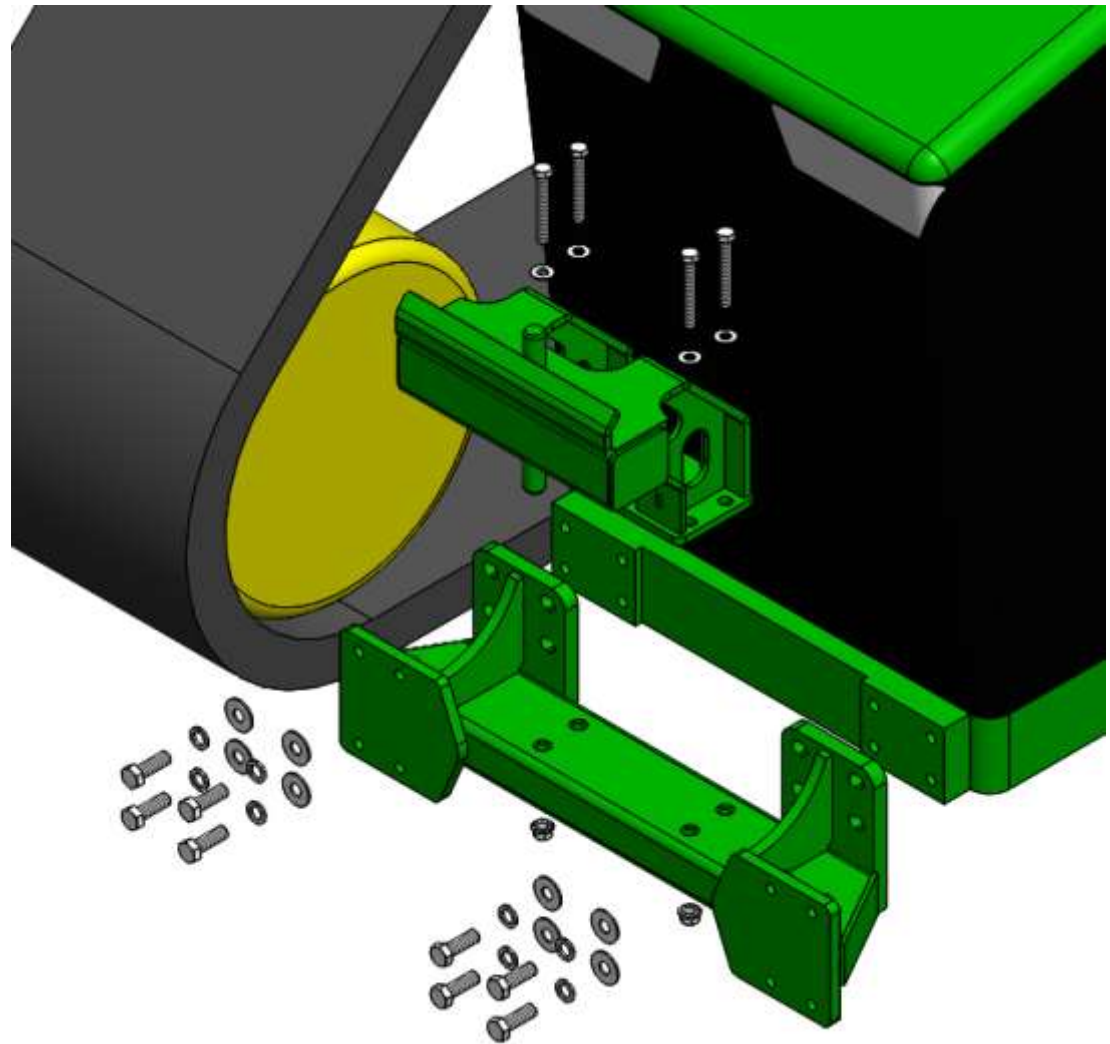


Figure 1.1



# Installation

Refer to Figure 2.1

2.2 Using the 5/8" bolts (REDB710), washers (LANFWS57), and serrated lock nuts (LAN690830) attach the mount frame (LANSR005) to the stalk roller mount (LANSR045). Tighten all hardware. *Make sure the washers are on the bolt head side of the plate!*

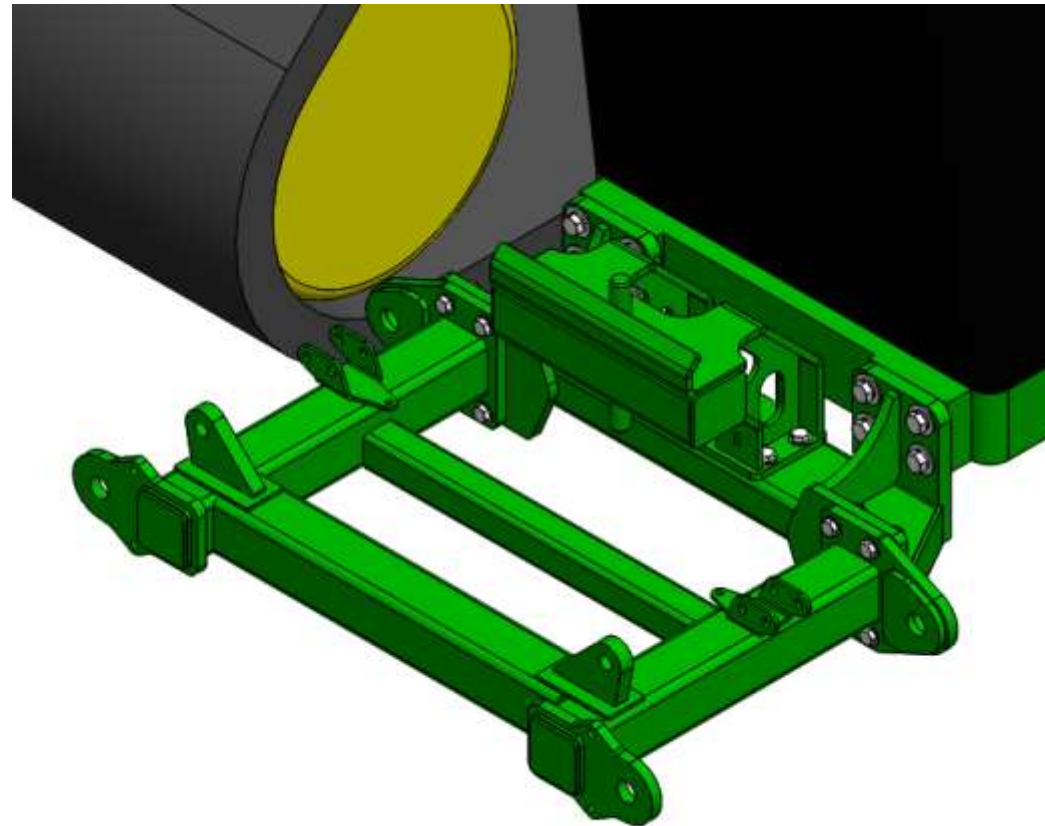


Figure 2.1

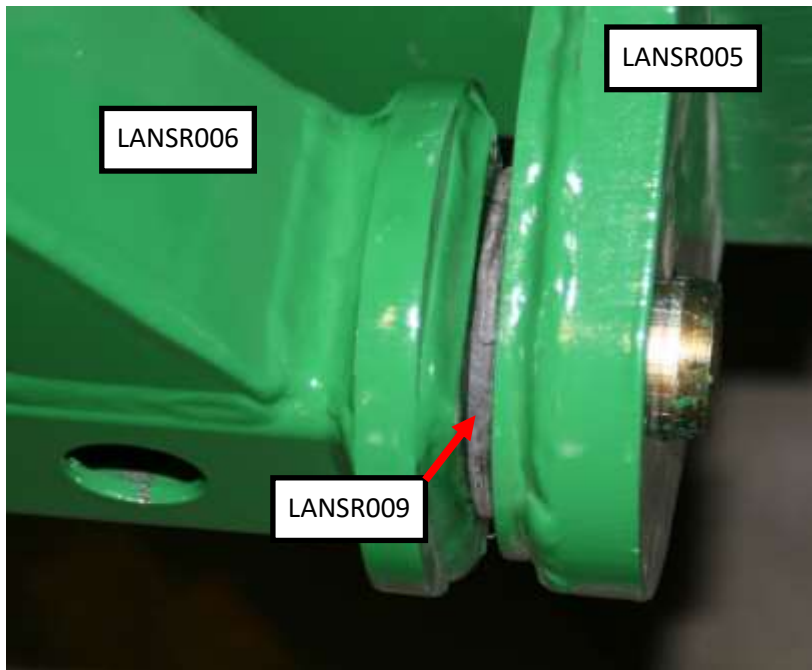
# Installation

*Refer to Figure 3.1*

**3.1 Plastic washers (LANSR009) are provided to eliminate metal to metal contact between the wing frames (LANSR006 & LANSR007) and the mount frame (LANSR005). Make sure these are in place in the following steps.**

*Refer to Figure 3.2*

**3.2 Using the pivot pin (LANSR008) attach the wing frames to the mount frame. Retain the pivot pin with the provided 1/2" bolt (LANFC507) and lock nut (RED1F30). When in the driver's seat, LANSR006 will be on your left, and LANSR007 will be on your right.**



*Figure 3.1*



*Figure 3.2*

# Installation

*Refer to Figure 4.1*

4.1 Using the provided 5/8" U-bolts (LAN079UBOLT) and serrated flange nuts (LAN690830), attach the row mounts to the stalk roller wing frames (LANSR006 & LANSR007). Make sure to position the drums so they are centered between the duals.

**NOTE: The roller drum will be angled toward the back of the tractor.**

*Figure 4.1*



# Installation

*Refer to Figure 5.1*

**5.1** Install the hydraulic cylinders (LANW250100-S) with included pins. Make sure the ports are facing toward the tractor and that the rod end is connected to the wing frames (LANSR006 & LANSR007).

*Refer to Figure 5.2*

**5.2** When the cylinder is completely extended, the wing frame should be parallel to the ground. There is room for minor adjustments by screwing the clevis in/out of the rod.



*Figure 5.1*

*Figure 5.2*



# Hydraulic Schematic

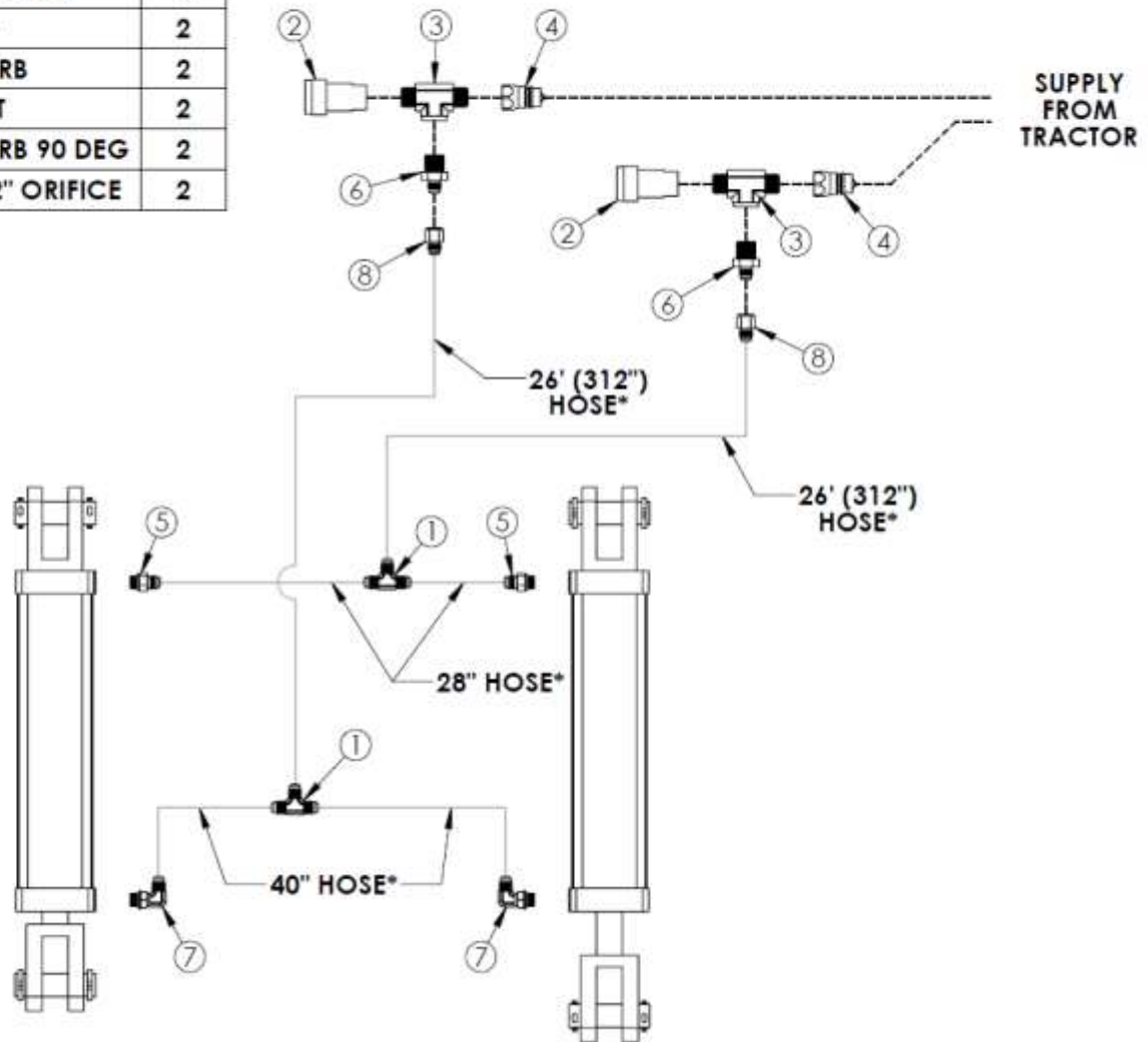
ITEM NO.	DESCRIPTION	QTY.
1	9/16" MALE JIC TEE	2
2	1/2" FEMALE NPT QUICK COUPLER	2
3	1/2" FEMALE NPT TO 1/2" MALE NPT TEE	2
4	1/2" NPT MALE NIPPLE COUPLING	2
5	9/16" MALE JIC TO 9/16" MALE ORB	2
6	9/16" MALE JIC TO 1/2" MALE NPT	2
7	9/16" MALE JIC TO 9/16" MALE ORB 90 DEG	2
8	9/16" JIC MALE TO FEMALE - 1/32" ORIFICE	2

\* 3/8" Diameter Hoses



Every hose end is crimped with a straight swivel flange fitting.

## LANSRJD8R - Hydraulic Schematic



# Installation

**NOTE:** Use the hydraulic schematic on the previous page as a reference for the following hydraulic installation procedures.

Refer to Figure 6.1

6.1 Attach a straight fitting on the base end of the cylinder and a 90 degree fitting on the rod end of the cylinder. A 28" hose will be attached to the straight fitting. A 40" hose will be attached to the 90 degree fitting. Do this on each cylinder.

Refer to Figure 6.2

6.2 Both sets of hoses will meet up and attach to the tee fittings in the middle. Make sure cylinder base hoses are together and rod end hoses are together. Also make sure that the hoses have enough freedom to move as the wing frames rotate up 90 degrees. Attach the two 312" hoses to the tee fittings and route them under the front end of the tractor.



Figure 6.1



Figure 6.2

# Installation

Refer to Figure 7.1 and 7.2

7.1 Remove the plastic cover under the front of the tractor. Using the supplied 1 3/8" hole saw (LANFCJ9MC), drill two holes in the front of the cover. Then route the 3/2" hoses through these holes and re-mount the plastic cover. These hoses will come through the frame, along the right side of the tractor (as you sit in the cab).



Figure 7.1

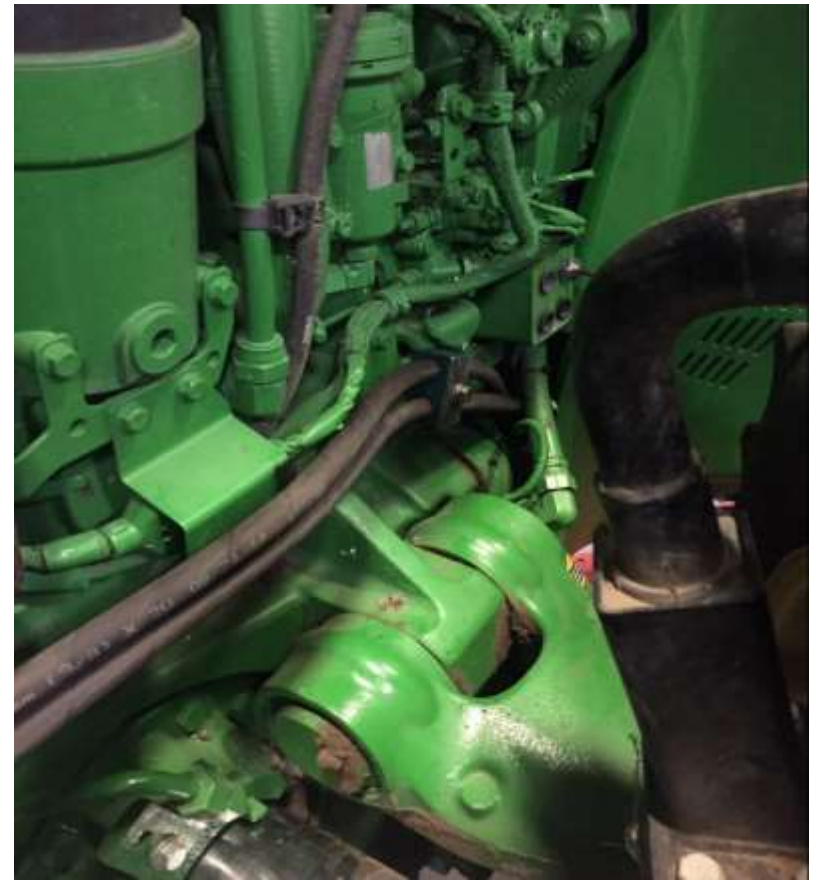


Figure 7.2

# Installation

Refer to *Figure 8.1* and *8.2*

8.1 Run the hoses along the side of the tractor. Where applicable, attach to the tractor frame using the included bolts (LANSR012 & LANSR013), hose holders (LAN120847 & LAN112567), and lock nut (LAN1616).

**NOTE:** Make sure the hoses will not be crushed when the front wheels are turned all the way to the right.



*Figure 8.1*



*Figure 8.2*



# Installation

Refer to Figure 9.1 and 9.2

9.1 Route the hoses out the back of the tractor. Attach the hose to the NPT tee fitting and quick couplers as shown in the schematic. They can now be plugged into one of the auxiliary ports at the back of the tractor.

**NOTE: Do a quick check to make sure all fittings are tight, all hoses are restrained properly and none of them are dangling below the tractor.**



Figure 9.1



Figure 9.2

# Installation

Refer to Figure 10.1 and 10.2

10.1 Two pins (LANSS704) are included to hold the wing frames UP during long term storage. The purpose is to keep the hydraulic cylinders from settling. An extra hole is provided for storage of the pin while the rollers are in use.

Storage Position



Figure 10.1

Operating Position



Figure 10.2

# Headlight Clearance Consideration

Refer to Figures A, B & C

If additional light clearance is required, install cylinder stops (LANSCA-1) as necessary (one or two) on each cylinder to hold the roller arms away from the lights.

**Note: The cylinder stops will need to be removed in order to utilize the storage pin position (See Figure C).**

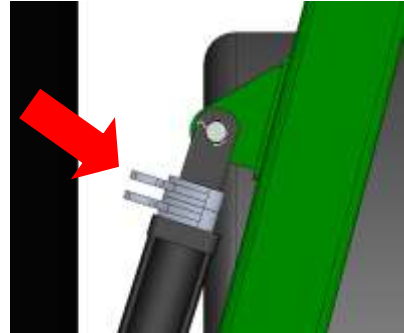


Figure A

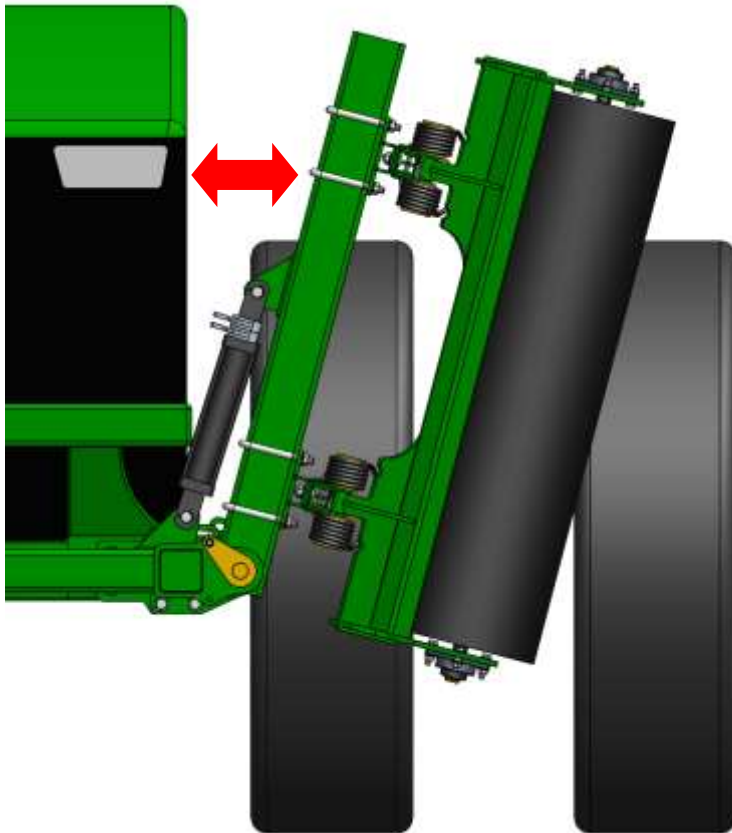


Figure B

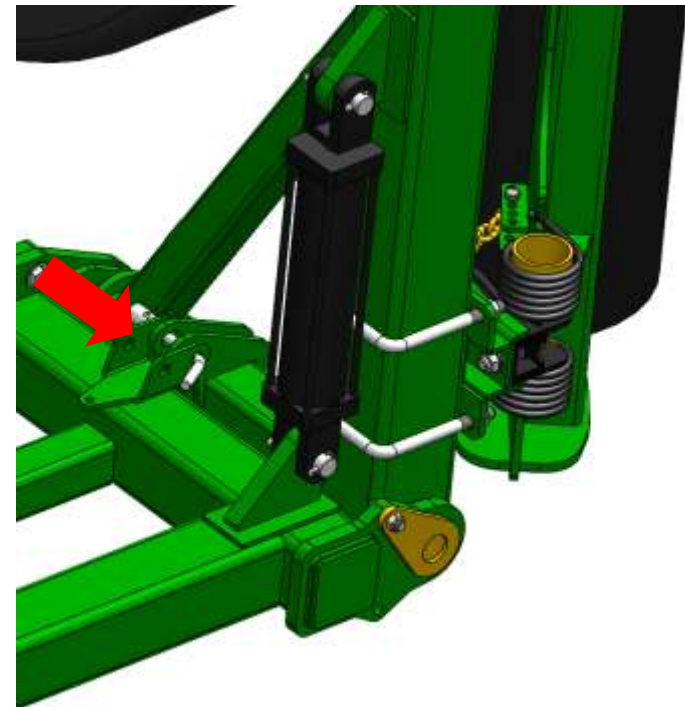


Figure C

# Stalk Roller Disclaimer

## *Stalk Roller Disclaimer*

The most effective use of the Lankota Stalk Roller is achieved by adjusting the chain on the roller so that when they are unfolded, the roller drum is just touching the ground and the spring is not compressed. Over compression of the spring can shorten the life of the roller spring and may result in undue damage NOT covered by Lankota's Limited Warranty.



For further technical assistance,

call Lankota Inc. at:

**1-866-526-5682**