

LANSR24609

Installation Instructions

Lankota Stalk Roller Kit for Fendt 1162 Track Tractors

LANKOTA®

270 West Park Avenue

Huron, SD 57350

866-526-5682

Numerical Parts List

Part Numbers	Description	Qty
LANSRFNT01	Fendt 1162 Stalk Roller Mount	1
LANSRFNT01M	Fendt 1162 Stalk Roller Mount	1
LANSRFNT02	Fendt 1162 Stalk Roller Tool Box Bracket	1
LANSRFNT03	Fendt 1162 Stalk Roller Center Support Bracket	2
LANSRFNT04	Fendt 1162 Stalk Roller Center Bracket	2
LANSRFNT05	Fendt 1162 Tow Cable Mount Bracket	1
LANSR003BLK	FWA Stalk Roller Assembly	2
LANSR006BLK	FWA Stalk Roller Wing Frame	1
LANSR007BLK	FWA Stalk Roller Wing Frame	1
LANSR008	FWA Stalk Roller Wing Pin	2
LANW250100-S	Hydraulic Cylinder for Stalk Rollers	2
LANSCA-1	1" Cylinder Stroke Control	4
LANSS600J	Joint Plate	1

Numerical Parts List (Continued)

LANSR24609BH

LAN079UBOLT
 LAN600UBOLT
 LAN1616
 LAN3718
 LAN690830
 LAN1137030
 LANB718
 LANF0FC4
 LANF1T2S
 LANFC507
 LANFWS52
 LANFWS55
 LANFWS57
 LANSR009
 RED1F30
 RED305K
 REDB204
 REDB508
 REDKRJF
 LANS5704

Box of Hardware

U-Bolt 5/8" - 11 x 6.5" 8
 U-Bol 5/8" - 11 x 3.75" 8
 Nyloc Nut - 5/16" - 18 Gr.5 4
 Serr. Flange nut 3/8" - 16 Gr.5 4
 Serr. Flange nut 5/8" - 11 Gr.5 32
 Nyloc Nut 1/2" - 13 Gr.5 8
 HHCS - 5/8" - 11 x 4.5" Gr. 5 6
 Lock washer - M24 8
 HHCS - M24 - 3 x 60 Gr. 10.9 8
 HHCS - 1/2" - 13 x 1.75" Gr. 8 2
 SAE Flat Washer - 5/16" 8
 SAE Flat Washer - 1/2" 18
 SAE Flat Washer - 5/8" 12
 FWA Stalk Roller Plastic Washer 4
 Top Lock Nut 1/2" - 13, Gr.5 2
 Carr. Bolt - 3/8" - 16 x 1.25" 4
 HHCS - 5/16" - 18 x 1, Gr.5 4
 HHCS - 1/2" - 13 x 2, Gr.5 8
 Top Lock Nut - 5/8" - 11, Gr.5 6
 Stalk Roller Pin Assembly - Bent Pin 2

Numerical Parts List (Continued)

Part Numbers	Description	Qty
LANSRJD8RHK	Stalk Roller Hose Kit	1
-----	26' (312") x 3/8" Hydraulic Hose, JIC 6F	2
-----	28" x 3/8" Hydraulic Hose, JIC 6F	2
-----	40" x 3/8" Hydraulic Hose, JIC 6F	2
-----	52" x 3/8" Hydraulic Hose, JIC 6F	2
-----	64" x 3/8" Hydraulic Hose, JIC 6F	2
-----	1/32" Orifice Male to Female Adapter	2
6400-06-06	9/16" Male JIC to 9/16" Male ORB	2
2603-06-06-06	9/16" Male JIC Tee	2
DINB12-F-08N	1/2" Female NPT Quick Coupler	2
5601-08-08-08	1/2" Female NPT to 1/2" Male NPT Tee	2
DINB12-MS-08N	1/2" NPT Male Coupling	2
2404-06-08	9/16" Male JIC to 1/2" Male NPT	2
6801-06-06	9/16" Male JIC to 9/16" Male ORB 90 Deg	4
LANSRHRTBH	Bag of Hardware Includes:	1
LAN25162	Double 1" Hose Clamp with Cushion	2
REDB204	Hex Head Cap Screw—5/16"-18 x 1.00", gr. 5	2
LANFWS52	5/16" SAE Flat Washer	2
LAN1616	Nyloc Nut - 5/16"-18, gr. 5	2
LAN44302	11" Zip Tie	12

Pictorial Parts List

					
LANSRFNT01 (1)		LANSRFNT01M (1)		LANSRFNT02 (1)	
					
LANSRFNT03 (2)	LANSRFNT04 (2)	LANSRFNT05 (1)	LANSR003BLK (2)	LANSR006BLK (1)	LANSR007BLK (1)
					
LANSR008 (2)	LANW250100-S (2)	LANSCA-1 (4)	LANSS600J (1)	LAN079UBOLT (8)	LAN600UBOLT (8)
					
LAN1616 (4)	LAN3718 (4)	LAN690830 (32)	LAN1137030 (8)	LANB718 (6)	LANF0FC4 (8)

Pictorial Parts List (Continued)

 LANF1T25 (8)	 LANFC507 (2)	 LANFWS52 (8)	 LANFWS55 (18)
 LANFWS57 (12)	 LANSR009 (4)	 RED1F30 (2)	 RED305K (4)
 REDB204 (4)	 REDB508 (8)	 REDKRJF (6)	 LANSS704 (2)

Disclaimer

This kit from LANKOTA adds 1300 lbs. to the front of a tractor. Never exceed manufacturer's specified load limit on the front of a tractor! This may mean that weights may need to be removed from the tractor to install this kit.

WARNING: After completing installation, be careful around the wings the first dozen or so times they are folded/unfolded. The process of purging the air from the hoses can cause the wings to jerk up and down dangerously and unexpectedly.

Kit Installation

Refer to Figures 1, 2, & 3

1. Remove factory tool box, tool box mount bracket, and tow cable mount from frame rails. Retain hardware for tool box to factory mount, you will use them later.



Figure 1



Figure 2

Figure 3



Kit Installation

Refer to Figure 4

2. Attach the stalk roller mounts (LANSRFNT01 & LANSRFNT01M) to both sides of the tractor. Use (4) M24 x 60mm hex bolts (LANF1T2S) & M24 lock washers (LANF0FC4) on each side.
3. Do not tighten, only snug them.

Refer to Figures 5 & 6

4. Remove center weight bolts on both sides. Install center bracket's (LANSRFNT04) re-using factory metric bolt.
5. Install center support bracket (LANSRFNT03) using (3) 5/8" x 4 1/2" bolts (LANB718) with flat washers (LANFWS57) on both sides & 5/8" top lock nuts (REDKRJF).
6. Repeat on opposite side.
7. Loosely install U-bolts (LAN600UBOLT) using 5/8" serrated flange nuts (LAN690830) connecting center support bracket (LANSRFNT03) to Fendt center bracket (LANSRFNT04).

Figure 4



Figure 5

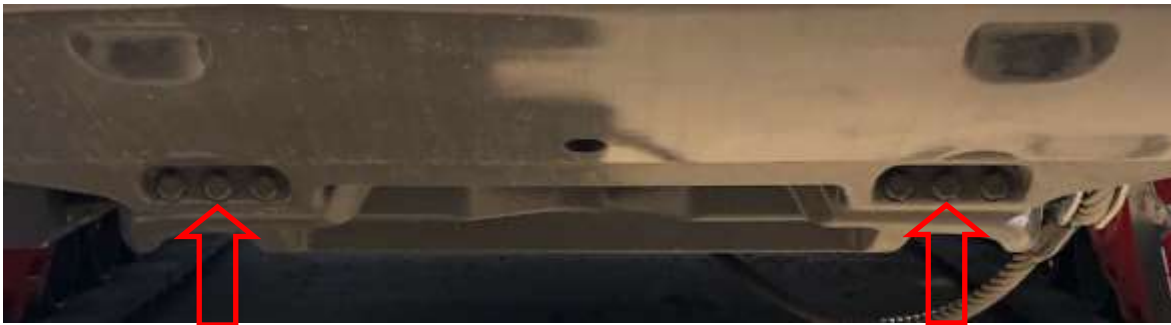


Figure 6



Kit Installation

Refer to Figure 7

8. Install joint plate (LANSS600J) on bottom of center support brackets (LANSRFNT03) using (4) U bolts (LAN600UBOLT) and 5/8" serrated nuts (LAN690830).
9. Tighten U bolts to ensure box tubes are in line from one to another.

Refer to Figure 8

10. With mounts loosely installed, make sure side mounts (LANSRFNT01 & LANSRFNT01M) are level to ground and tighten all hardware. (Place level on flat surface on top of mounts as indicated by red arrow.)

Figure 8



Figure 7



Kit Installation

Refer to Figures 9, 10, & 11

11. Once side mounts, center support brackets & hardware are all tight; install stalk roller tool box bracket (LANSRFNT02) to side mount (LANSRFNT01M) using (4) carriage bolts (RED305K) and (4) serrated nuts (LAN3718).
12. Install factory tool box mount using (4) 5/16" x 1" bolts (REDB204), flat washers (LANFWS52) and Nyloc nuts (LAN1616).
13. Re-use factory hardware to mount tool box to factory mount.



Figure 9

Figure 10



Figure 11



Kit Installation

Refer to Figures 12

14. Next, take Tow Cable Mount Bracket (LANSRFNT05) and install on top of side mount (LANSRFNT01) using (4) 1/2" x 2" bolts (REDB508) flat washers (LANFWS55) and 1/2" Nyloc nuts (LAN1137030).
15. Take Factory Tow Cable Mount and install onto Fendt Tow Cable bracket (LANSRFNT05) using (4) 1/2" x 2" bolts (REDB508), flat washers (LANFWS55), AND 1/2" Nyloc nuts (LAN1137030).

Figure 12



Kit Installation

Refer to Figures 13 & 14

16. Attach the stalk roller wings (LANSR006BLK & LANSR007BLK) to the mounts with the pivot pin (LANSR008) and two plastic washers (LANSR009) each.
17. Secure the pins in place with 1/2" x 1.75" hex bolts, 1/2" SAE washers and 1/2" top lock nuts.
18. Grease the wings.



Figure 14

Figure 13

Kit Installation

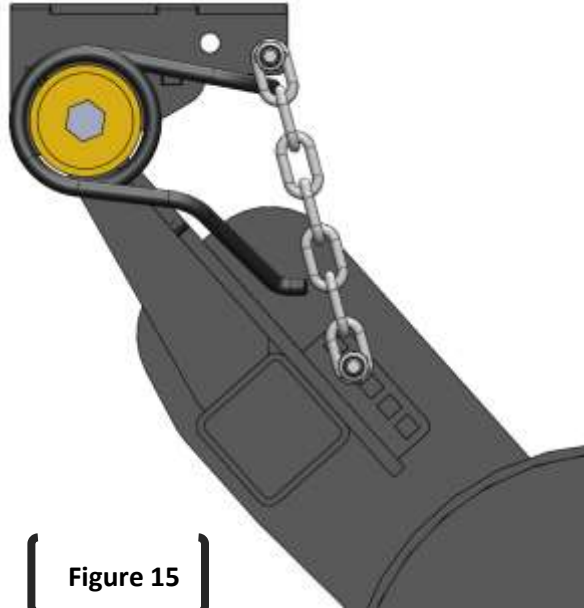


Figure 15

Refer to Figures 15 & 16

19. Install the cylinders (LANW250100-S) using the pins that come with them.
20. Ensure that both ends have a port that is facing toward the rear of the tractor, the rod end is attached to the wings and the clevis bolt is oriented upward.
21. When the cylinder is completely extended, the wing frame should be parallel to the ground. Adjust it by screwing the clevis in/out of the rod.
22. If the chains on the roller assemblies are not in the 2nd hole from the top, it is likely they will need to be moved. This can be done now or later when the kit is completed. Simply relieve the chain of tension and move carriage bolt.



Figure 16

Kit Installation

Refer to Figures 17 & 18

23. Hang the roller assemblies from the wings using the U-bolts and remaining flange nuts in the LANSSTFMBH boxes.
24. Slide the roller in or out to cover the track.
25. Make sure that the inner end of the roller is in-line with or outside the hinge pin as shown. (The further out it is the better it will unfold.)



Figure 17

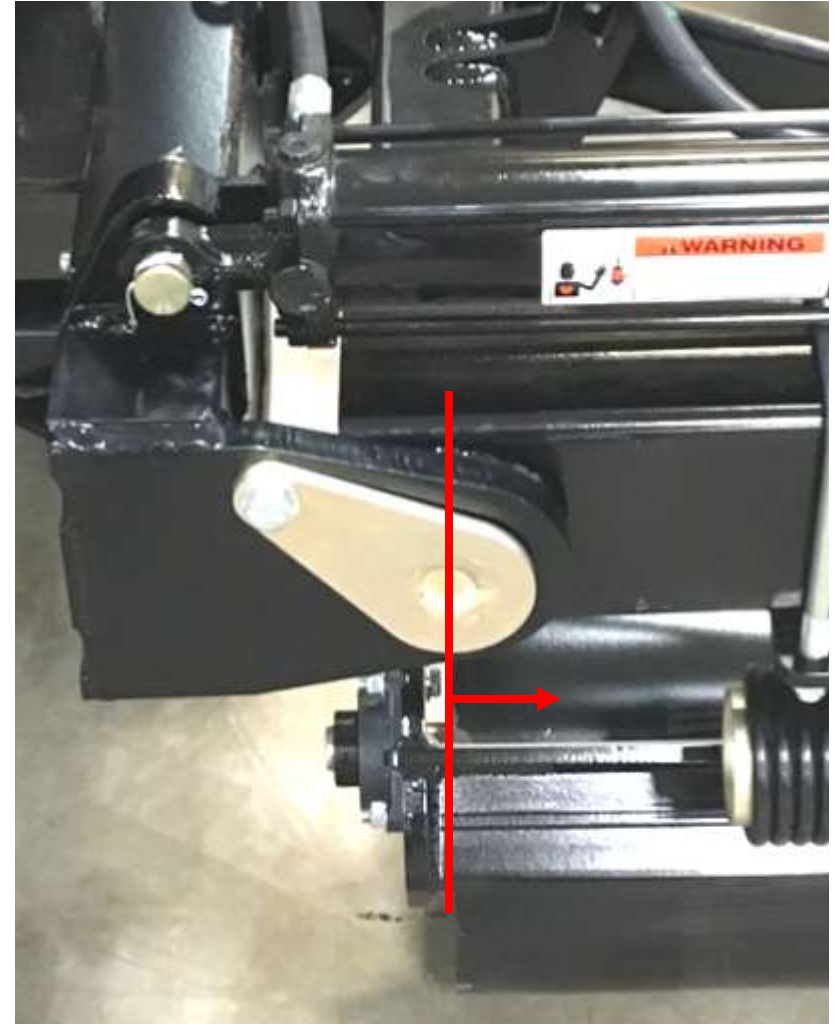


Figure 18

Hydraulic Installation

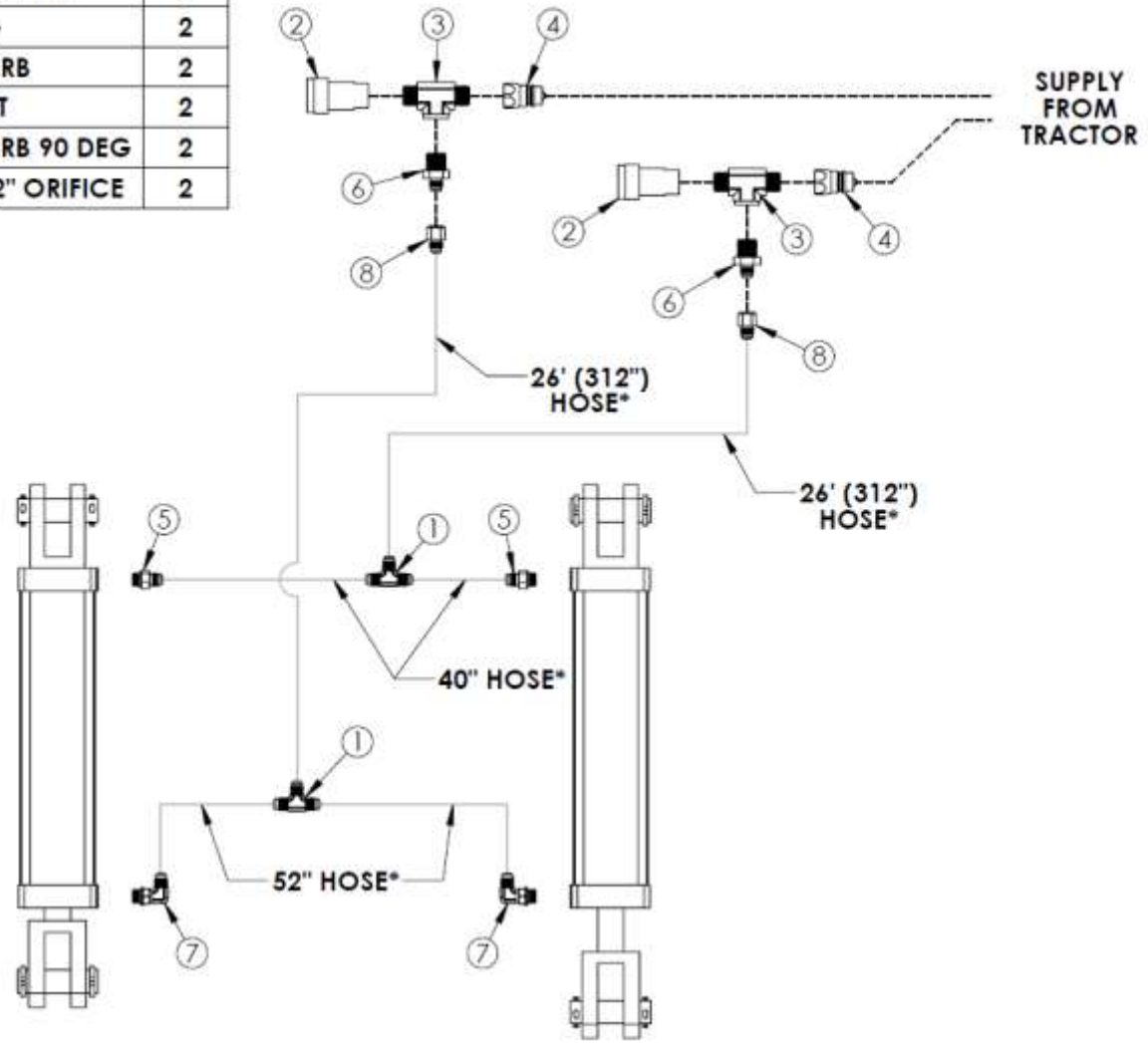
ITEM NO.	DESCRIPTION	QTY.
1	9/16" MALE JIC TEE	2
2	1/2" FEMALE NPT QUICK COUPLER	2
3	1/2" FEMALE NPT TO 1/2" MALE NPT TEE	2
4	1/2" NPT MALE NIPPLE COUPLING	2
5	9/16" MALE JIC TO 9/16" MALE ORB	2
6	9/16" MALE JIC TO 1/2" MALE NPT	2
7	9/16" MALE JIC TO 9/16" MALE ORB 90 DEG	2
8	9/16" JIC MALE TO FEMALE - 1/32" ORIFICE	2

* 3/8" Diameter Hoses



Every hose end is crimped with a straight swivel flange fitting.

LANSRCATMT8 - Hydraulic Schematic



Hydraulic Installation



Refer to Figures 19 - 27

26. Install the hydraulic fittings, found in the hose kit, into the cylinders as shown.
27. Use the 40" and 52" hoses to plumb the cylinders together.
28. Connect the 26' hoses and run them through the tractor as displayed in the figures.
29. Two orifices are included and should be used to slow down the hydraulic fluid, if needed.
30. Constrain the hoses with the provided zip ties.



Hydraulic Installation



Storage

Refer to Figures 21 & 22

31. 1/2" bent pins (LANSS704) are included in this kit to hold each wing up when storing to prevent the cylinders from settling.
32. To use the pins, push and twist 90 degrees.
33. Use the 1/2" hole in the brackets to store the pins when in use.

Figure 21
Stored

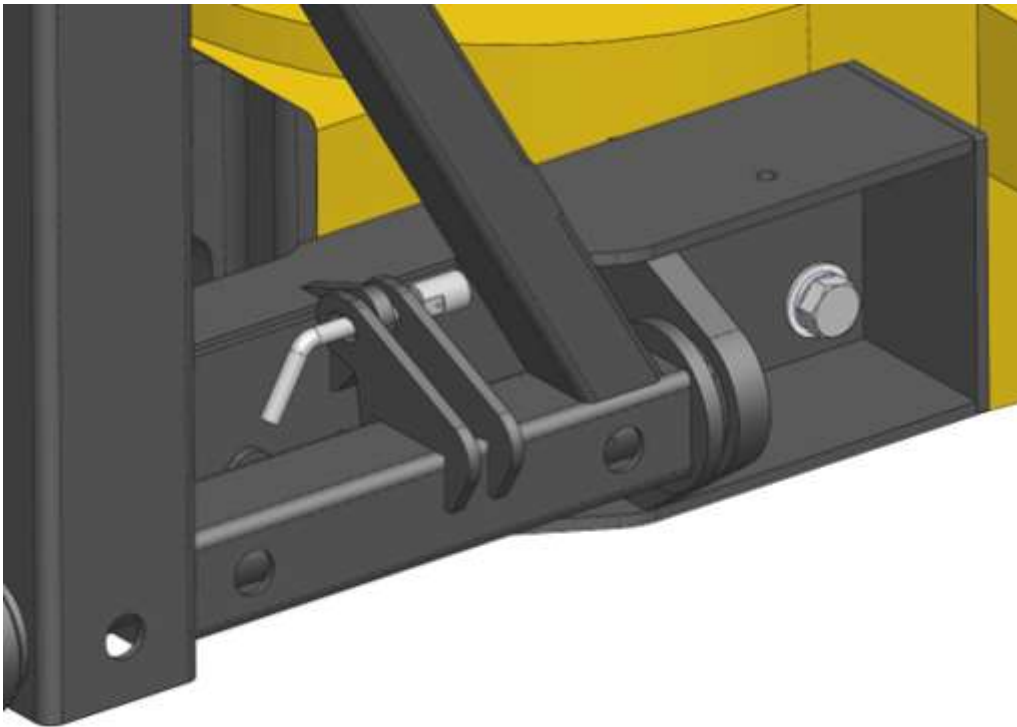
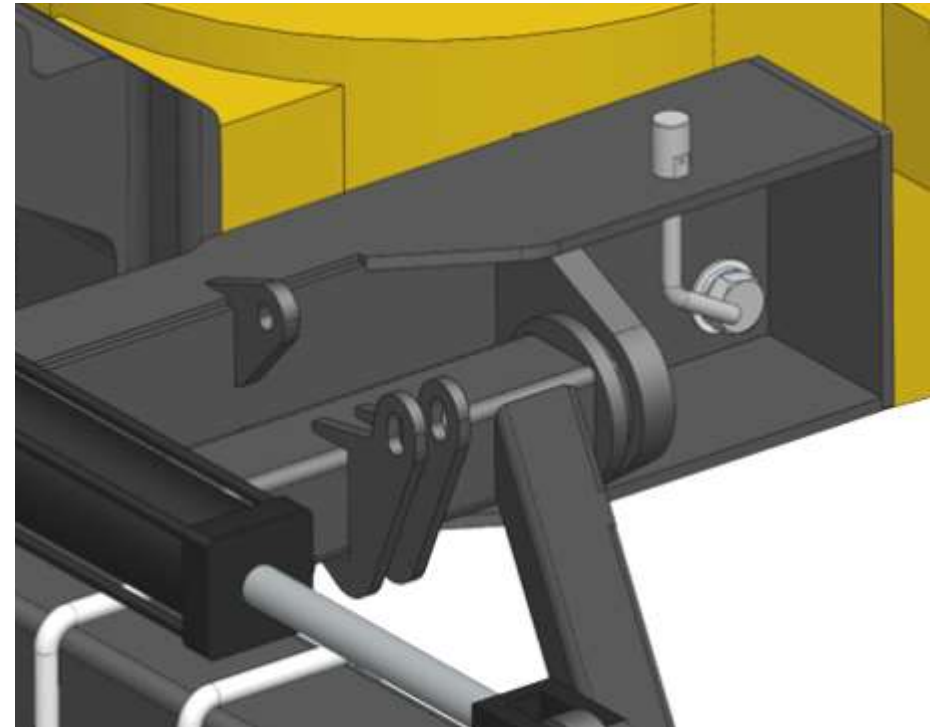


Figure 22
In Use



Headlight Clearance Consideration

Refer to Figures A, B & C

If additional light clearance is required, install cylinder stops (LANSCA-1) as necessary (one or two) on each cylinder to hold the roller arms away from the lights.

Note: The cylinder stops will need to be removed in order to utilize the storage pin position (See Figure C).



Figure A

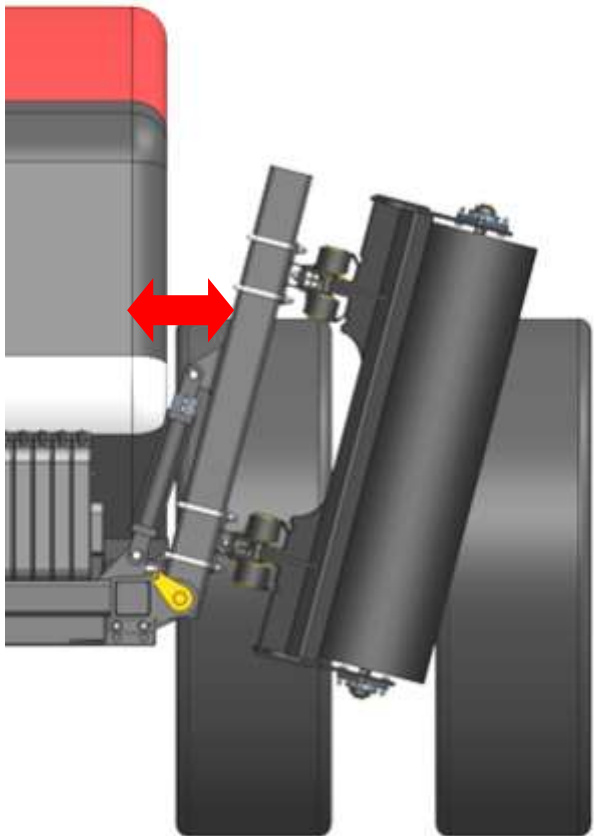


Figure B

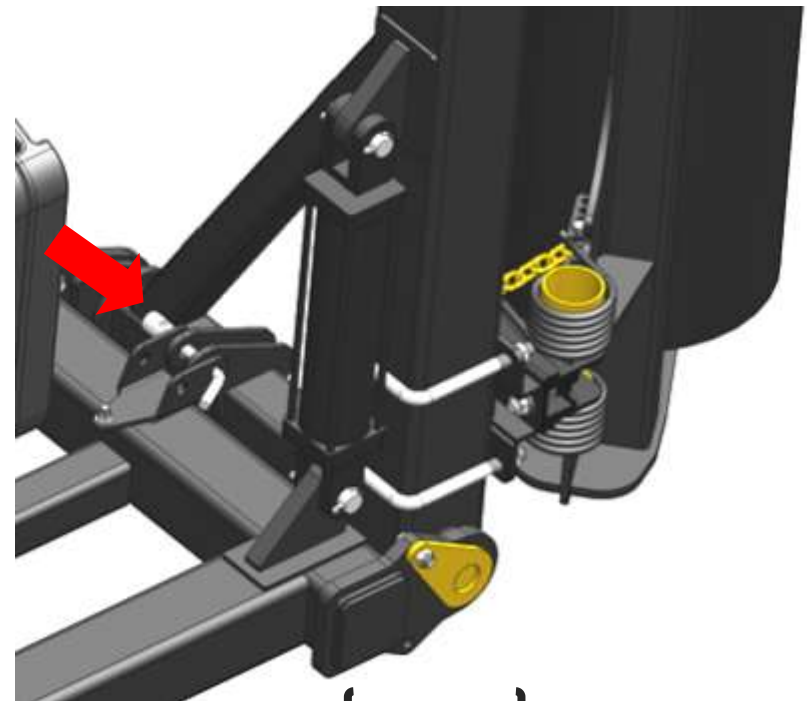


Figure C



For further technical assistance,

Call Lankota Inc. at:

1-866-526-5682