

LANRE311410

Installation Instructions

Tow Cable Kit for 2015+ John Deere® 9RX Quad Track & 9R Series 4-Wheel Drive Tractors

With and Without Front Weights

With and Without Front HydraCushion® Suspension

LANKOTA®

270 West Park Avenue

Huron, SD 57350

866-526-5682

Numerical Parts List

Part Numbers	Description	Qty
LANJDTC102	Pin for JD Tow Cable	1
LANJDTC110A	Tow Cable with Spring & Washer	1
LANJDTC130	Cable Guide for 2015+ R-Series	1
LANTOWCABLESHACKLE1.625	1-5/8" Shackle	1
LANRE311683	7/16" x 2.5" Lynch Pin	1
LANF257T	Double Split Shaft Collar	1
LANTC1771	Tow Cable Universal JD Stow Arm, Base	1
LANTC1773	Tow Cable Universal JD Stow Arm, Extension	1
LANTCR320856	Tow Cable Storage Pin	1
LANTCT160263	Cable Retaining Washer	1
RED21940	7/16" x 1.5" Lynch Pin	1
LAN8RTC007	JD Weight Cable Hook	1
LANJDTC105	Cable Retaining Latch	1
LANSS704	Twist Lock Pin	1
LAN8RTC010	Cable Stow Nut Plate	1
LANTC194	Pin Retainer Plate, 2022+	1
LANTC195	Pin, 1.875", 2022+	1

Numerical Parts List (Cont.)

Part Numbers	Description	Qty
LANFB810	3/4" x 2.5" Bolt	3
REDKRJG	3/4" Top Lock Nut	4
LANFWS58	3/4" SAE Flat Washer	7
LANFB910	7/8" x 2.5" Gr 5 Bolt	6
LANFHFNKT	7/8" Center Lock Nut	6
LAN19M7824	M16 x 60 Flange Hex Bolt	6
REDWU58	3/4" Flat Washer	6
LANF-BZBS-0.69-0.50	Bronze Bushing	1
REDB707	5/8" x 1.75" Hex Bolt	1
LAN26000	5/8" Flat Washer	2
REDKRJF	5/8" Top Lock Nut	1
REDB710	5/8" x 2.5" Hex Bolt	1
LAN201027	M8 x 25mm Hex Bolt	2
LANFRWNF	M8 Lock Washer	2
LAN600UBOLT	U-Bolt, 5/8" x 2.625" ID x 3.75"	1
LAN690830	5/8" Serrated Flange Nut	2

Pictorial Parts List

				
LANJDTC130 (1)	LANJDTC102 (1)	LANF257T (1)	LAN8RTC007 (1)	LANTC194 (1)
				
LANTC1771 (1)	LANTC1773 (1)	LANJDTC110A (1)	LANJDTC105 (1)	LANTC195 (1)
				
LANTOWCABLESHACKLE1.625 (1)	LANRE311683 (1)	LANSS704 (1)	LAN8RTC010 (1)	LAN600UBOLT (1)
				
LANTCR320856 (1)	RED21940 (1)	LANTCT160263 (1)		LAN690830 (2)

Pictorial Parts List (Cont.)

				
LAN19M7824 (6)	LANFB910 (6)	LANFHFNKT (6)	REDB707 (1)	LANFB810 (3)
				
	LANF-BZBS-0.69-0.50 (1)	LAN26000 (2)	LANFWS58 (7)	REDKRJG (4)
				
REDKRJF (1)	REDWU58 (6)	REDB710 (1)	LAN201027 (2)	LANFRWNF (2)

Kit Installation

WITH or WITHOUT Front Weight Bracket:

Refer to Figures 1 & 2

1. Attach cable guide (LANJDTC130) to the underside of the tractor frame with (6) 7/8" x 2.5" bolts (LANFB910) and lock nuts (LANFHFNKT).
2. **For tractors with HydraCushion Suspension**, remove the necessary (3) bolts from each side and hang the cable guide (LANJDTC130) with the (6) provided replacement M16 x 60 flange bolts (LAN19M7824) and (6) 3/4" flat washers (REDWU58).
3. Pull tow cable (LANJDTC110A) from the front, through the cable guide and back to the front of the draw bar.

Determine which of the (3) following cable mounting methods applies to your tractor. Use only ONE method.



Figure 1



Figure 2

Kit Installation—2021 & Older, Drawbar Pin

Refer to Figures 3—5

4. Remove front draw bar pin by lifting up on the spring-loaded retainer and moving to the side. The draw bar pin can be stored in the other hole if desired.
5. Put pin (LANJDTC102) through cable yoke and slide up into hole and secure with lynch pin (LANRE311683).

Note: If additional cable length is needed later when stowing the other cable end, leave the drawbar pin in the drawbar and use one of the other available drawbar holes towards the front of the tractor to attach the cable yoke.



Figure 3



Figure 4



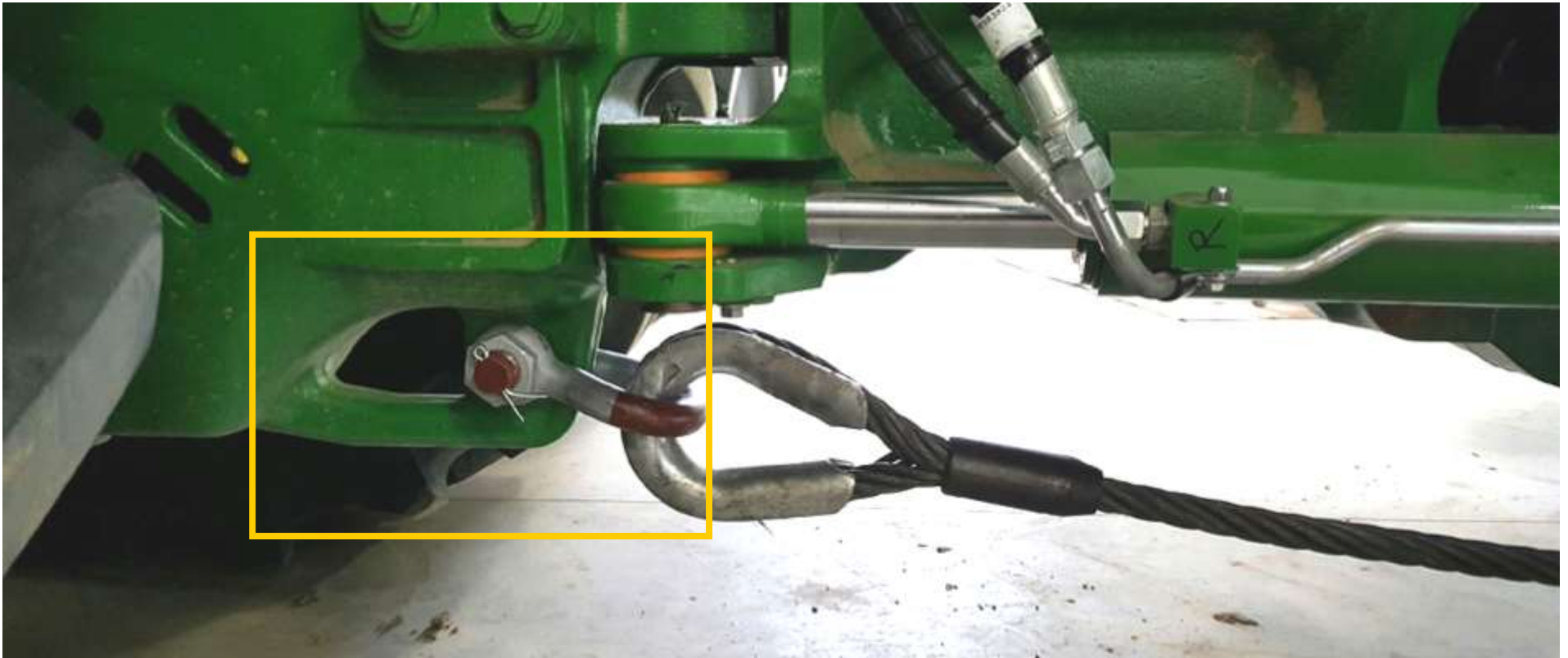
Figure 5

Kit Installation—2021 & Older, Shackle Mount

Refer to Figure 6

6. Put cable yolk through the shackle clevis and pin to the tractor frame.
7. Fasten with nut and retain with provided cotter pin.

Figure 6



Kit Installation—2022 & Newer, Pin Mount

Refer to Figures 7 & 8

8. Put cable yolk in the cast frame opening and insert the pin (LANTC195) through the tractor and cable.
9. Retain the pin with the supplied plate (LANTC194) and M8 hardware (LAN201027 and LANFRWNF).

Figure 7



Figure 8



Kit Installation

Refer to Figures 9 & 10

10. Turn tractor so that it is at full lock to the right or left. Pull forward on cable until there is about a six inch valley in the middle of the cable.
11. Slide the washer and spring up tight against the cable guide and secure in place with lock collar (LANF257T) provided and tighten. This will keep the cable from dragging on the ground when turning.



Figure 10

Figure 9



For further technical assistance,

Call Lankota Inc. at:

1-866-526-5682

Kit Installation



Figure 11

For a Tractor WITHOUT Front Weight Bracket:

Refer to Figures 11—13

12. Mount the cable stow base (LANTC1771) to the right side of the tractor frame with (3) 3/4" x 2.5" bolts (LANFB810), top lock nuts (REDKRJG) and (6) flat washers (LANFWS58).
13. Mount the stow arm (LANTC1773) on the previously installed base with the 5/8" U-bolt and flange nuts.
14. Attach the tow pin (LANTCR320856) with a 3/4" washer and lock nut to the arm.
15. Hang the front cable yolk from the stow pin, slide on the storage washer (LANTCT160263) and secure with lynch pin (RED21940).

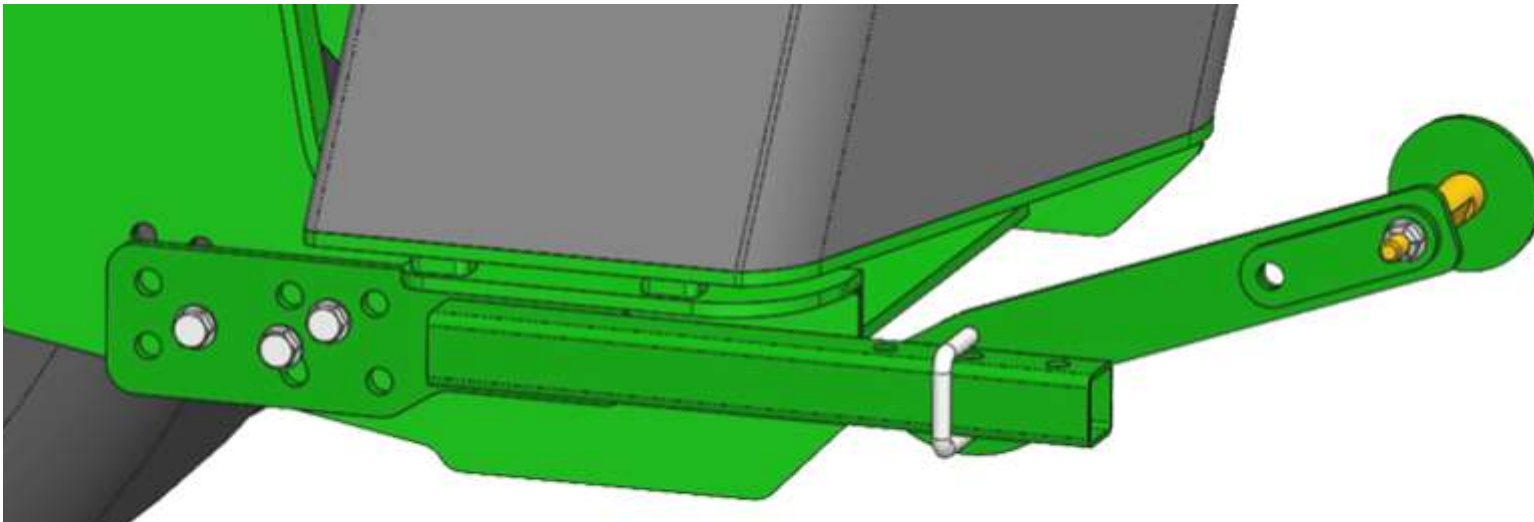


Figure 12



Figure 13

Kit Installation

For a Tractor WITH a Front Weight Bracket:

Refer to Figures 14—16

16. Attach the tow pin (LANTCR320856) with a 3/4" washer and lock nut.
 - If your tractor **HAS A WEIGHT BRACKET**, mount it directly to your factory weight bracket. (Figure 14)
 - **OR** bolt the LAN8RTC007 to the weights by using the factory bolt and the 5/8" x 2-1/2" bolt with the bolt plate (LAN8RTC010) inside the weights (shown with a red arrow). Add the hook (LANJDTC105) with the bronze bushing and 5/8" x 1-3/4" bolt, 5/8" washer, and 5/8" lock nut. Secure the cable with the LANSS704 pin. (Figure 15 & 16)

Figure 14



Figure 15



Figure 16