

LANCTW0235

Installation Instructions

Lankota Trailer Wiring Kit for John Deere X9 Combines

LANKOTA[®]

**270 West Park Avenue
Huron, SD 57350
866-526-5682**

Parts

Part Number	Description	Qty
LANCTW115	Combine to Trailer Plug Harness	1
LANCNK10110072EX	Combine Trailer Wiring Extension	1
LANCTW025	Combine Hitch Wiring Bracket	1
LAN506K	1/2"-13 x 1-1/2" Carriage Head Bolt	2
LANFNXC1	1/2"-13 Flanged Nylon Lock Nut	2
LANF0B1Z	#10-24 X 3/4" Phillips Pan Head Machine Screw	4
LANF0DNU	#10-24 Nylon Lock Nut	4
REDVTG5	24" Cable Tie	4

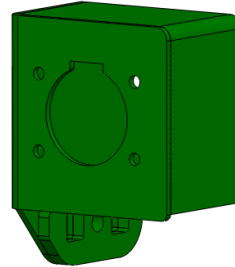
Parts



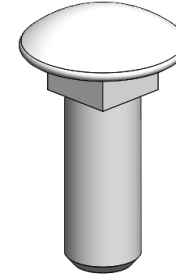
LANCTW115 (1)



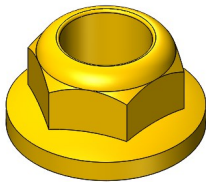
LANCNK10110072EX (1)



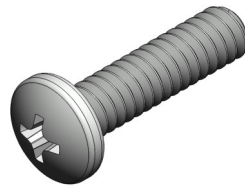
LANCTW025 (1)



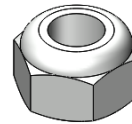
LAN506K (2)



LANFNXC1 (2)



LANFOB1Z (4)



LANFODNU (4)



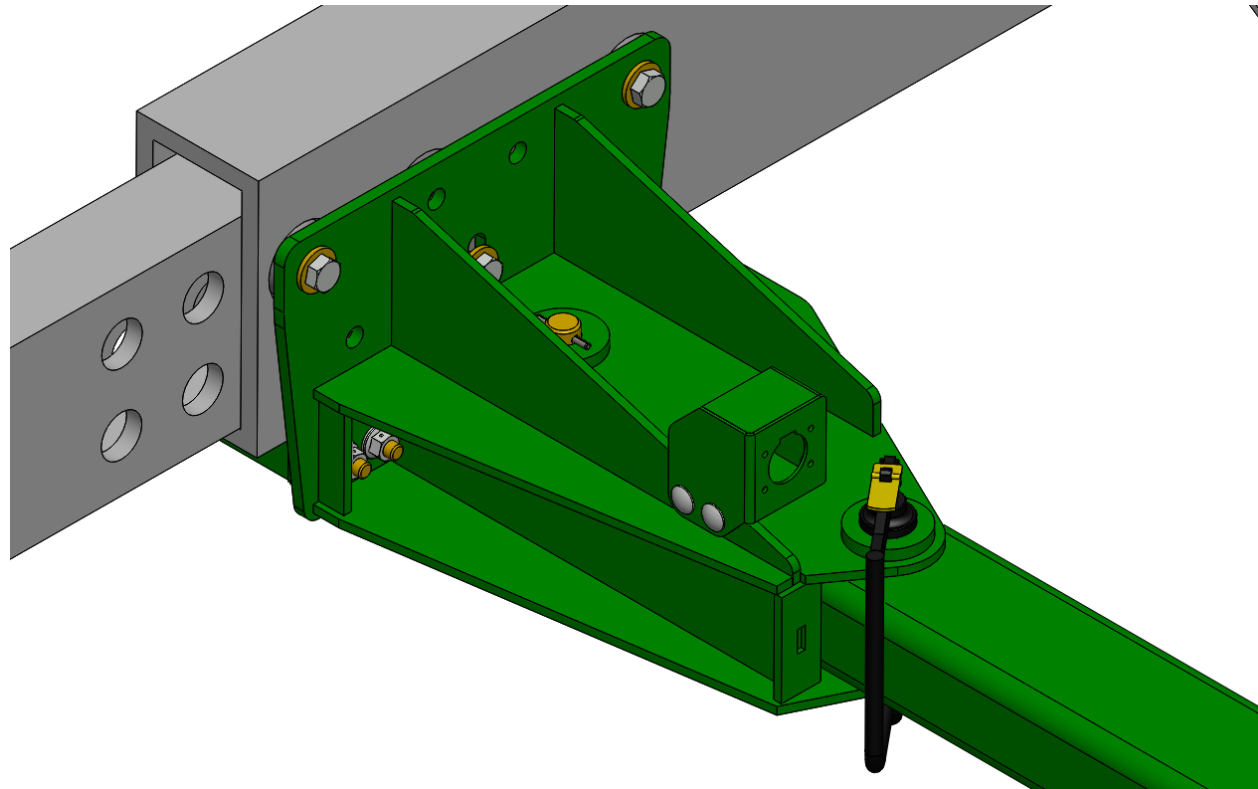
REDVTG5 (4)

Installation

Refer to Figure 1

1. Attach the Combine Hitch Wiring Bracket (LANCTW025) to the base of the hitch using the provided 1/2"-13 x 1-1/2" Carriage Bolts and 1/2"-13 Flanged Nylon Lock Nuts (LAN506K & LANFNXC1)

Figure 1



Installation

Refer to Figures 2 & 3

2. Attach the Combine to Trailer Plug Harness (LANCTW115) to the Combine Hitch Wiring Bracket using the provided #10-24 x 3/4" Phillips Pan Head Machine Screws and #10-24 Nylon Lock Nuts (LANFOB1Z & LANFODNU).
3. Plug the other end of the harness into the combine plug near the center of the rear axle.

Figure 2

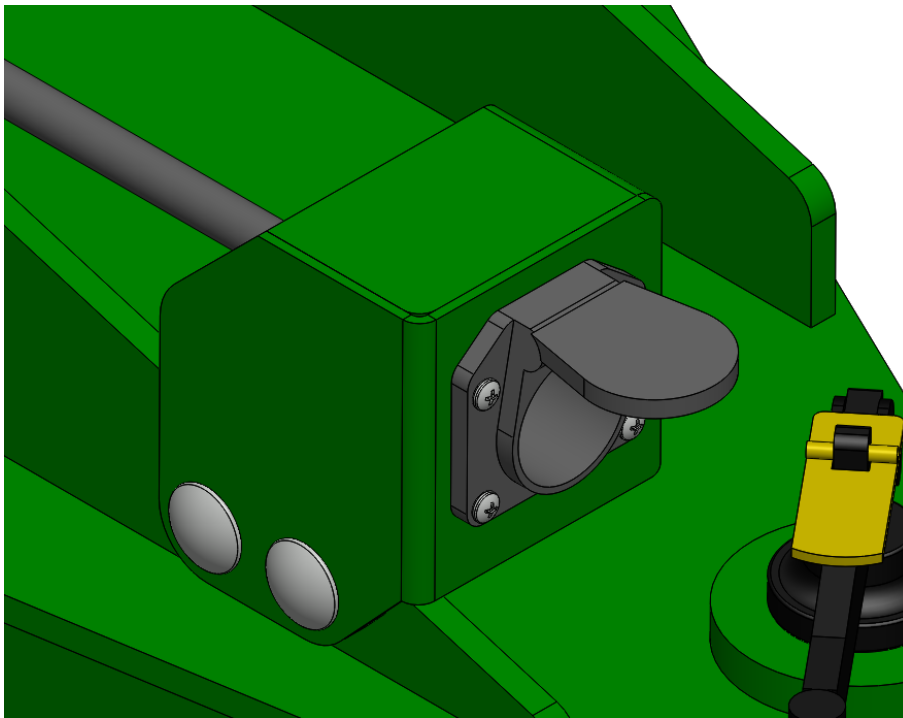


Figure 3

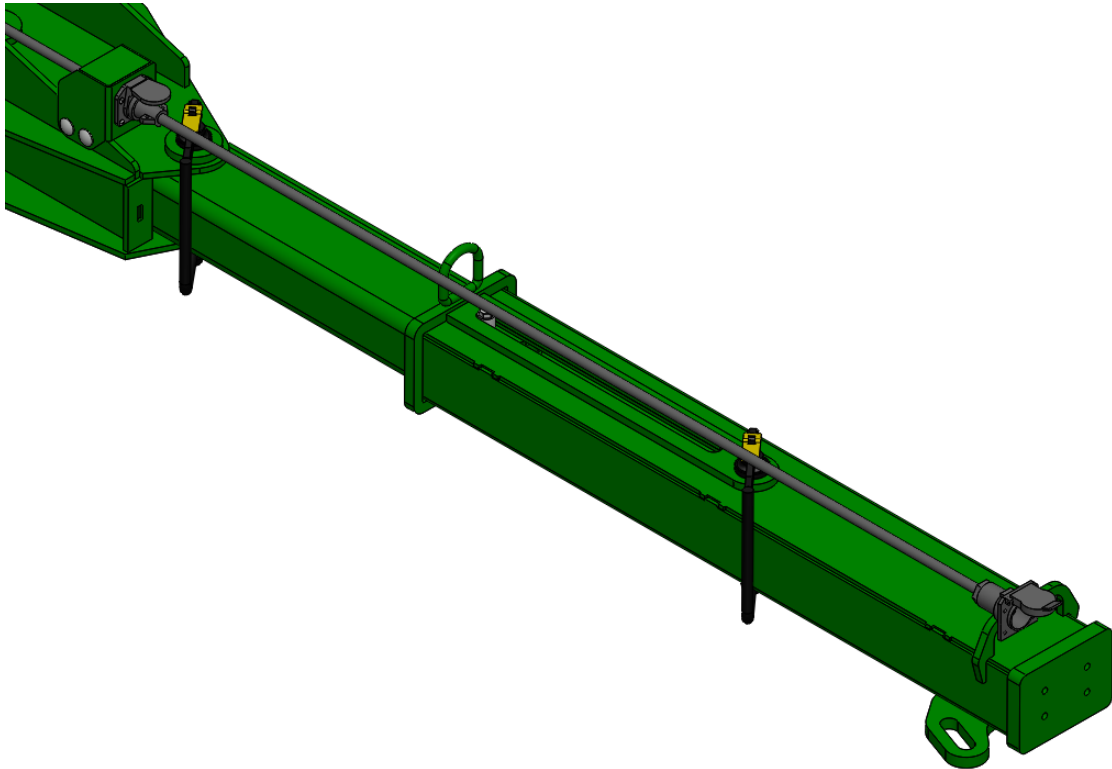


Installation

Refer to Figure 4

4. Plug the Combine Trailer Wiring Extension (LANCNK10110072EX) into the Combine to Trailer Plug Harness and run it to the end of the hitch. The harness can be secured by running through the pin handles and welded on D ring.

Figure 4



For further technical assistance,

Call Lankota Inc. at:

1-866-526-5682