

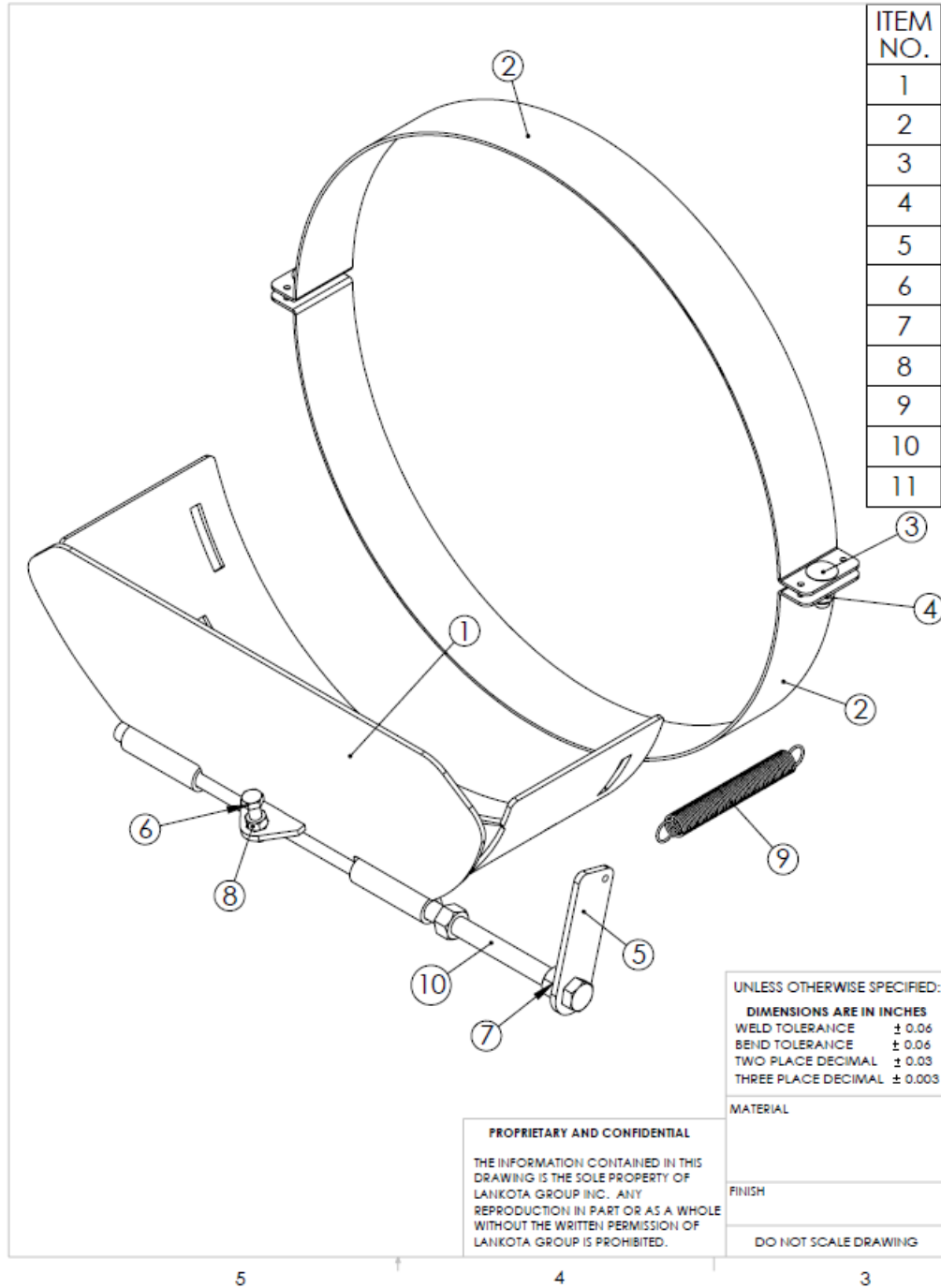
# LANAUGHURGS

## Installation Instructions

Lankota Grain Saver Door for High Unload Rate John Deere Combines

# LANKOTA<sup>®</sup>

**270 West Park Avenue  
Huron, SD 57350  
866-526-5682**



ITEM NO.	PART NUMBER	DESCRIPTION	QTY.
1	LANGS20	GRAIN SAVER DOOR ASSEMBLY	1
2	LANAUG295	HUR SPRING RETAINER HALF-BAND	2
3	LAN18A	3/8"-16 x 1" Carriage Bolt	2
4	LAN1618000	3/8"-16 Nylon Lock Nut	2
5	LANGS24	GRAIN SAVER SPRING ARM	1
6	LAN3B16A16	HHCS - .312-18 X 1.25, GR. 5	1
7	LANF-HN-0.500C	HEX NUT - .5-13, GR. 5	1
8	LANF-HN-0.313C	HEX NUT - .312-18, GR. 5	1
9	LANH217334	SPRING - GRAIN SAVER DOOR	1
10	LANF011G	HHCS - .5-13 X 4.5, GR. 5	1
11	REDWL55	LOCK WASHER - .5	1

UNLESS OTHERWISE SPECIFIED:	DRAWN BY	CHRIS OFFER
DIMENSIONS ARE IN INCHES	CREATED	10/29/2015 4:18:35 PM
WELD TOLERANCE ± 0.06	LAST SAVED	7/25/2016 4:15:59 PM
BEND TOLERANCE ± 0.06	MFG APPR.	
TWO PLACE DECIMAL ± 0.03	G.A.	
THREE PLACE DECIMAL ± 0.003	COMMENTS:	

MATERIAL
FINISH
DO NOT SCALE DRAWING

PROPRIETARY AND CONFIDENTIAL  
 THE INFORMATION CONTAINED IN THIS DRAWING IS THE SOLE PROPERTY OF LANKOTA GROUP INC. ANY REPRODUCTION IN PART OR AS A WHOLE WITHOUT THE WRITTEN PERMISSION OF LANKOTA GROUP IS PROHIBITED.

<b><u>LANKOTA GROUP</u></b>		
TITLE: <b>JD HUR Grain Saver Door</b>		
SIZE	DWG. NO.	REV
<b>A</b>	<b>LANAUGHURGS</b>	
SCALE: 1:4	WEIGHT:	SHEET 1 OF 1

# Numerical Parts List

<b>Part Numbers</b>	<b>Description</b>	<b>Quantity</b>
LANGS20	Grain Saver Door Weldment	1
LANAUG295	HUR Spring Retainer Half-Band	2
LANGS24	Grain Saver Spring Arm	1
LANH217334	Spring - Grain Saver Door	1
<b>LANAUGHURGSBH</b>	<b>Bags of Hardware</b>	<b>1</b>
Each Bag Includes:		
LAN18A	3/8"-16 X 1" Carriage Bolt	2
LAN1618000	3/8"-16 Nylon Lock Nut	2
LAN3B16A16	5/16"-18 x 1.25", Gr. 5 Hex Head Cap Screw	1
LANF-HN-0.313C	5/16"-18 Gr. 5 Hex Nut	1
LANF011G	1/2"-13 X 4.50", Gr. 5 Hex Head Cap Screw	1
LANF-HN-0.500C	1/2"-13, Gr. 5 Hex Nut	1
REDWL55	1/2" Lock Washer	1

**NOTE:** One extra spring is included for replacement if necessary

# Pictorial Parts List

					
LANGS20 (1)	LANAUG295 (2)	LANGS24 (1)	LAN217334 (1)	LAN18A (2)	LAN1618000 (2)
					
LANF011G (1)	LANF-HN-0.500C (1)	LAN3B16A16 (1)	LANF-HN-0.313C (1)	REDWL55	

# Installation

Refer to Figure 1

1. Remove the plastic spout and factory grain saver door from the existing auger tube.
2. Retain all hardware for re-use later in the installation

Figure 1



# Installation

Refer to Figure 2 & 3

3. Install the Grain Saver Weldment (LANAUGHURGS) onto the end of the auger tube as shown below using existing hardware. The two bolts toward the end of the auger should be tightened while four others remain loose for spout installation.
4. Install the plastic spout and snug up all bolts.

Figure 2

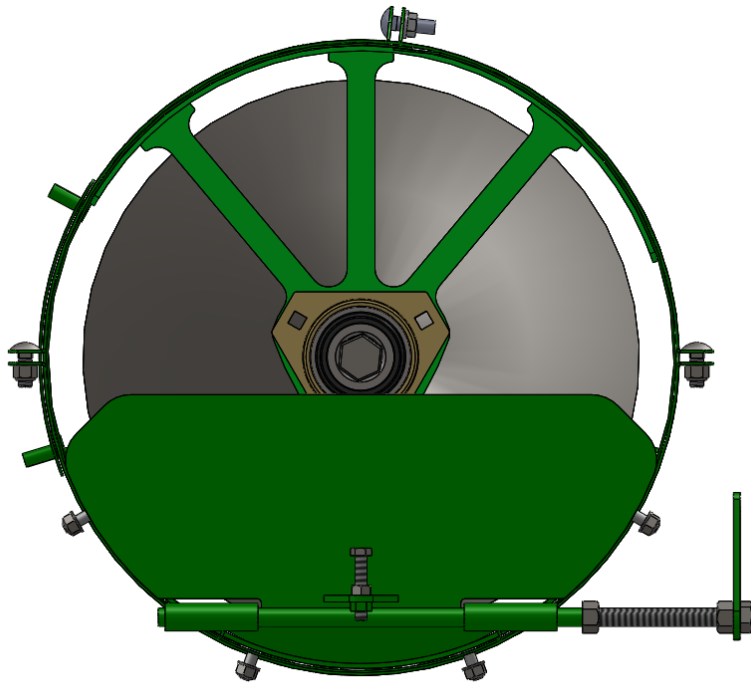
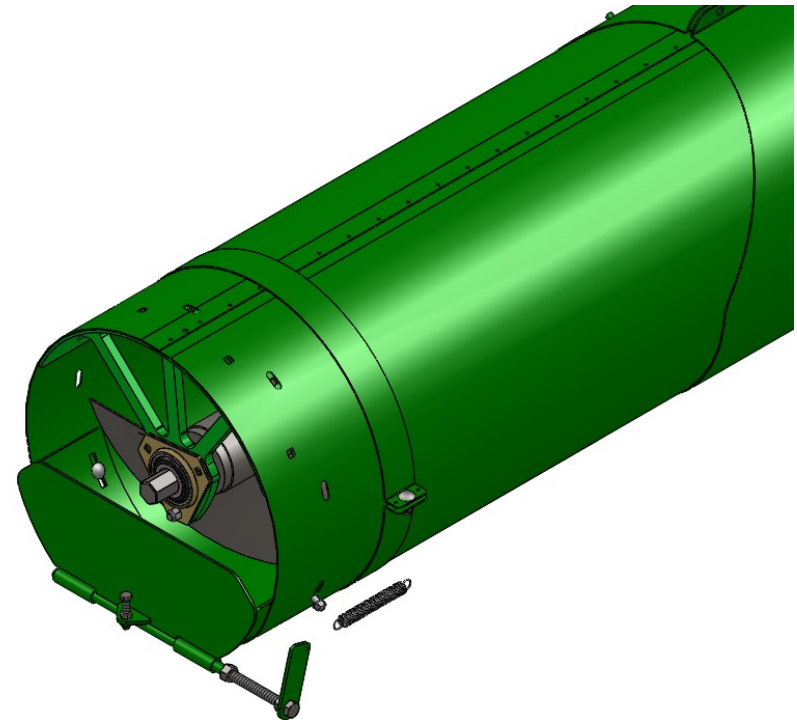


Figure 3



# Installation

Refer to Figures 4 & 5

5. On the side of the grain saver door with the weld nut, draw a vertical line 5" from the end of the spout. (Figure 4).
6. Along the line, measure up 2 - 5/8" from the contour line (shown in RED in Figure 5) of the spout and make a mark.
7. Drill a 5/8" hole in the spout where the two lines cross and install the grain saver spring arm.

Figure 4



Figure 5



# Installation

Refer to Figures 6 & 7

8. The drilled hole should line up with the nut welded to the grain saver door. Using the REDWL55, LANF-HN-0.500C and LANF011G install the grain saver door arm (LANGS24).
9. A good starting point for the band is 3" behind the plastic spout (Figure 6).
10. Adjust LANGS24 (grain saver spring arm) so the spring length when installed is roughly 9" (the grain saver spring arm should tilt back 10-15 degrees - see Figure 7). Tighten all fasteners for operation.

Figure 6



Figure 7

