

LANTB21410

Installation Instructions

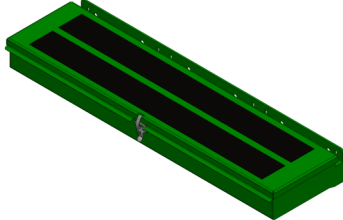
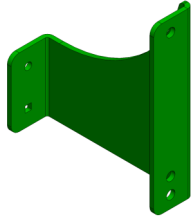

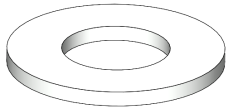

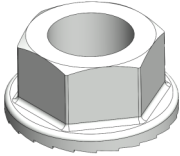

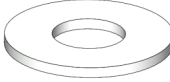

Lankota Toolbox for JD W235, W260 Windrowers

LANKOTA®

270 West Park Avenue
Huron, SD 57350
866-526-5682

Numerical Parts List

Part Numbers	Description	Qty
LANTB18207BX	Platform Toolbox	1
LANTB020	Toolbox Mount Bracket	2
LANTB021	Toolbox Mounting Strap	2
LANFWS55	1/2" SAE Washer	4
LANFB522	1/2" x 5.5" Hex Bolt	4
LAN3722	1/2" Serrated Flange Nut	4
LAN18A	3/8" x 1" Carriage Bolt	4
LAN18000	3/8" Flat Washer	4
REDODTT	3/8" Top Lock Nut	4

				
LANTB18207BX (1)	LANTB020 (2)	LANTB021 (2)	LANFWS55 (4)	LANFB522 (4)
				
LAN3722 (4)	LAN18A (4)	LAN18000 (4)	REDODTT (4)	

Kit Installation

Refer to Figures 1 & 2

1. Pre-assemble the two mounting brackets (LANTB020) to the back of the toolbox on each end with a 3/8" x 1" carriage bolt (LAN18A), 3/8" washer (LAN18000) and 3/8" top lock nut (RED0DTT) through the top flange.
2. On passenger side of the windrower, place the two mounting straps (LANTB021) on the back side of the tube with two 1/2" washers (LANFWS55) and 1/2" x 5 1/2" hex bolts (LANFB522) on each pointing outward.
3. Place the toolbox and mount assembly over the four 1/2" x 5 1/2" bolts and secure with four 1/2" serrated flange nuts (LAN3722). **Hand tighten only at this time.**

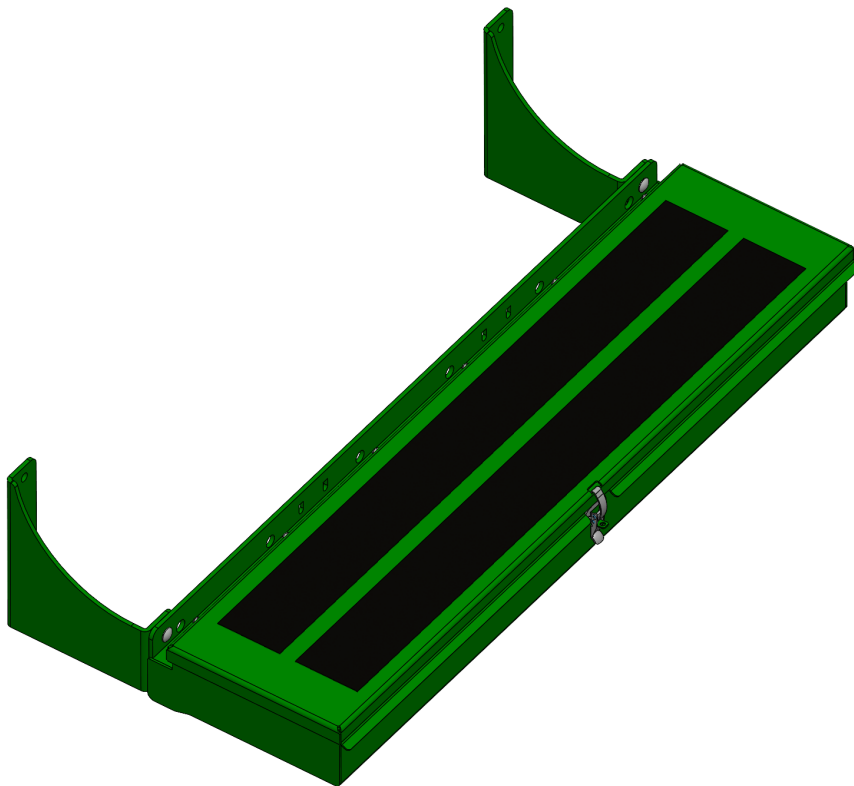


Figure 1



Figure 2

Kit Installation

Refer to Figures 3 & 4

4. Open and close the main side access door and small bay door on the right to verify clearances. **Note: The toolbox mounting arms can be moved from side to side to line up with any of the six carriage bolt slots, but it is recommended to use the widest mounting holes as can be achieved.**
5. If everything looks okay, mark and drill through the back of the toolbox with a 7/16" bit at the locations shown in Figure 4.
6. Bolt through both the lower square mounting bracket holes with a 3/8" x 1" carriage bolt (LAN18A), with a 3/8" washer (LAN18000) and 3/8" lock nut (RED0DTT) inside the toolbox.
7. Tighten all hardware.



Figure 3

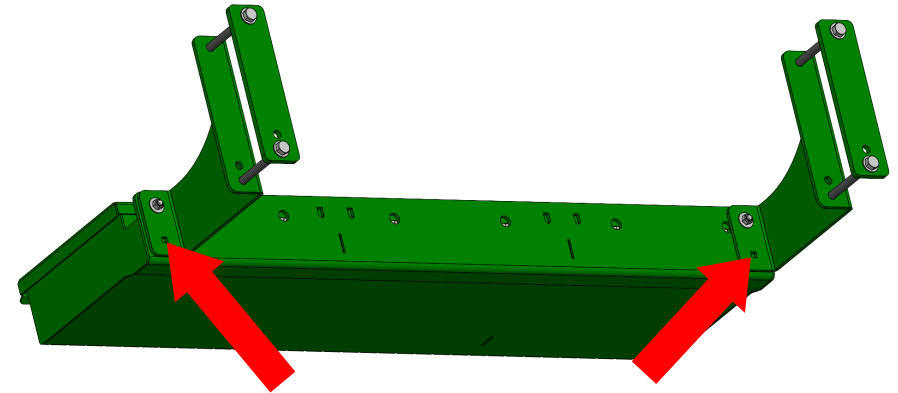


Figure 4



For further technical assistance,

Call Lankota Inc. at:

1-866-526-5682