

LANRE315780

Installation Instructions

Tow Cable Kit for John Deere® 9x30 Series 4-Wheel Drive Tractors

LANKOTA®

270 West Park Avenue
Huron, SD 57350
866-526-5682

Numerical Parts List

Part Numbers	Description	Qty
LANJDTC102	Pin for JD Tow Cable	1
LANJDTC110A	Tow Cable with Spring & Bushing	1
LANRE311683	7/16" x 2.5" Lynch Pin	1
LANF257T	Double Split Shaft Collar	1
LANJDTC106	Cable Guide for 9x30 Series	1
LANJDTC107	Cable Guide Spacer	4
LANTC1771	Tow Cable Universal JD Stow Arm, Base	1
LANTC1772	Tow Cable Universal JD Stow Arm, Extension	1
LANTCR320856	Tow Cable Storage Pin	1
LANTCT160263	Tow Cable Storage Washer	1
RED21940	7/16" x 1.5" Lynch Pin	1
LANFB816	3/4" x 4" Hex Bolt	2
LANFWS58	3/4" SAE Flat Washer	5
REDKRJG	3/4" Top Lock Nut	3
LANFB910	7/8" x 2.5" Hex Bolt	10
LANFWS59	7/8" SAE Flat Washer	20
REDKRJ9	7/8" Top Lock Nut	10

Pictorial Parts List

				
LANJDTC102 (1)	LANJDTC110A (1)	LANF257T (1)	LANRE311683 (1)	
				
LANJDTC106 (1)	LANJDTC107 (4)	LANTCR320856 (1)	LANTCT160263 (1)	RED21940 (1)
				
LANFWS58 (5)	REDKRJG (3)	LANFWS59(20)	REDKRJ9 (10)	LANFB910 (10)
				
LANTC1771 (1)	LANTC1772 (1)	LANFB816 (2)		

Kit Installation

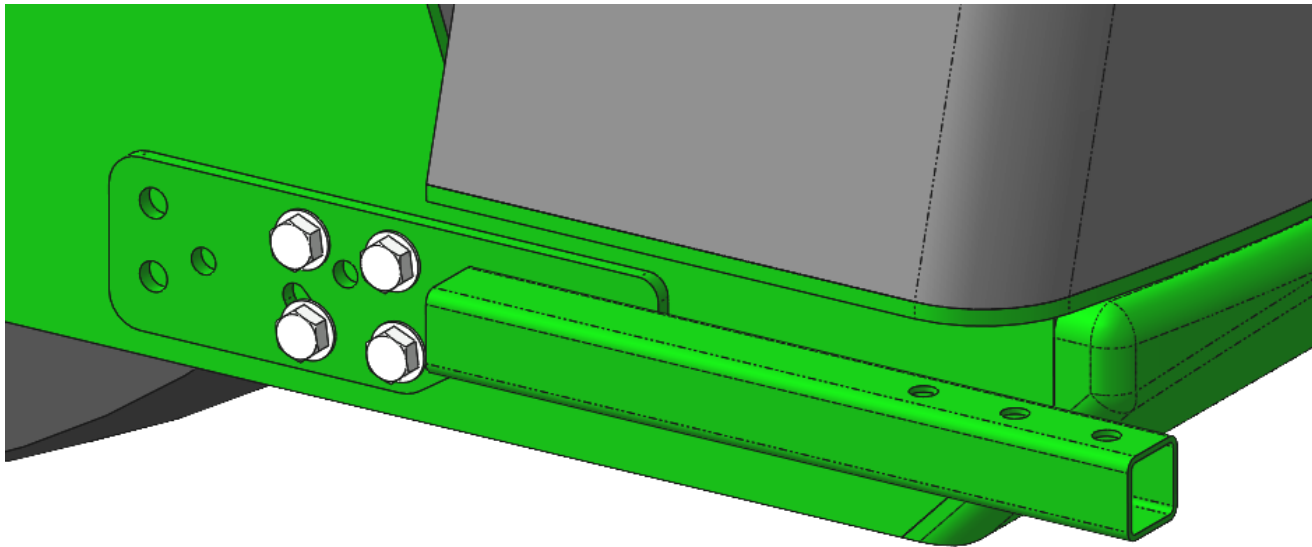


Figure 1

Figure 2

Tractor WITHOUT Front Weights:

Refer to Figure 1

1. Mount the cable stow base (LANTC1771) to the right side of the tractor frame with (4) 7/8" x 2.5" bolts (LANFB910), top lock nuts (REDKRJ9) and (8) flat washers (LANFWS59).

WITH or WITHOUT Front Weights:

Refer to Figure 2

2. Attach cable guide (LANJDTC106) to the inside of the tractor frame with (6) 7/8" x 2.5" bolts (LANFB910), top lock nuts (REDKRJ9) and (8) flat washers (LANFWS59).

NOTE: If necessary, center the bracket with the supplied spacers (LANDTC107).



Kit Installation

Refer to Figures 3 & 4

3. Pull tow cable (LANJDTC110A) from the front, through the cable guide and back to the front of the draw bar.
4. Remove front draw bar pin by lifting up on the spring-loaded retainer and moving to the side. The draw bar pin can be stored in the other hole if desired.

Refer to Figures 5 & 6

5. Put pin (LANJDTC102) through cable yolk and slide up into hole and secure with lynch pin (LANRE311683).



Figure 3



Figure 5



Figure 4



Figure 6

Kit Installation

Refer to Figures 7 & 8

6. Turn tractor so that it is at full lock to the right or left. Pull forward on cable until there is about a six inch valley in the middle of the cable.
7. Slide the washer and spring up tight against the cable guide and secure in place with lock collar (LANF257T) provided and tighten. This will keep the cable from dragging on the ground when turning.

Figure 7



Figure 8



For further technical assistance,

Call Lankota Inc. at:

1-866-526-5682

Kit Installation

Refer to Figures 9 & 10

8. Attach the tow pin (LANTCR320856) with a 3/4" washer and lock nut.
 - If your tractor **HAS A WEIGHT BRACKET**, mount it directly to your factory weight bracket.
 - For **NO WEIGHT BRACKET**: mount it to the stow arm (LANTC1772) and attach it to the previously installed base with the 3/4" bolts, washers and nuts. Use the set of holes that keep the cable taught and off the ground.

Refer to Figure 11

9. Hang the front cable yolk from the tow pin, slide on the storage washer (LANTCT160263) and secure with lynch pin (RED21940).

Figure 9

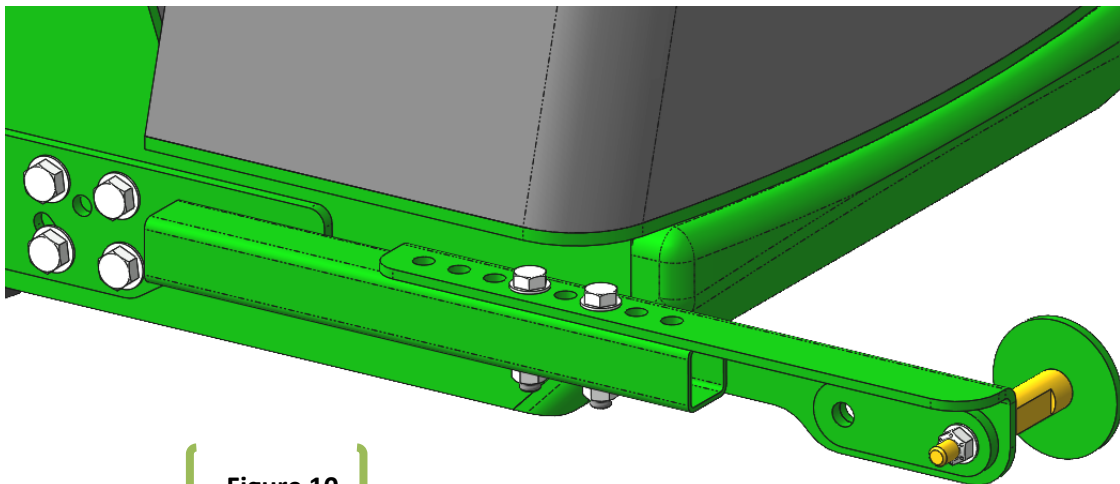


Figure 10

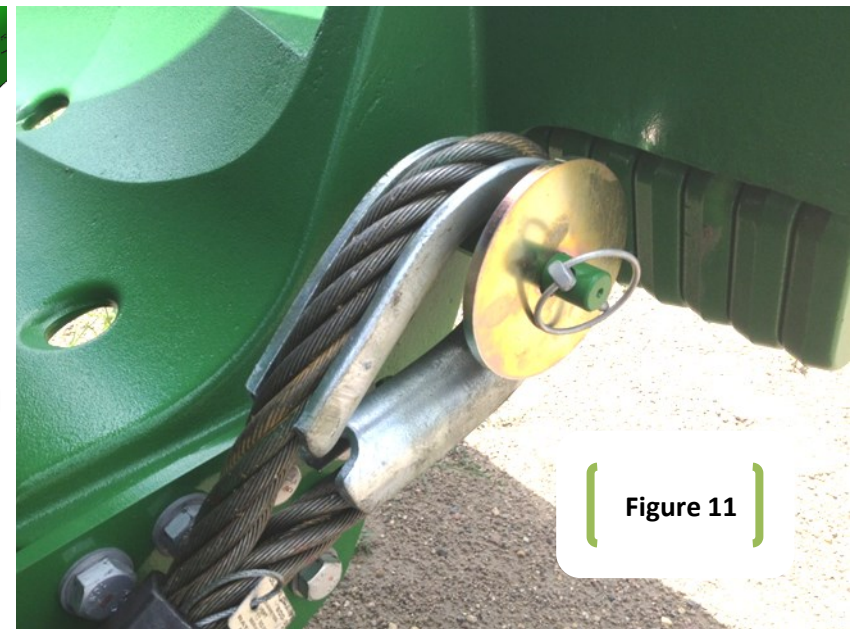


Figure 11