

LANCHALTC10XX

Installation Instructions

Tow Cable Kit for Challenger 10XX Tractors & Fendt 1038, 1042, 1046 & 1050 Tractors

LANKOTA[®]

**270 West Park Avenue
Huron, SD 57350
866-526-5682**

Numerical Parts List

Part Numbers	Description	Qty
LANCHALTC1010	Tow Cable Mount Plate	2
LANCHALTC1020	Cable Guide Bracket	1
LANCHALTC1030	Drawbar Pulling Plate	2
LANCHALTC1040	Drawbar Spacer Plate	1
LANCHALTC1050	Tow Cable Stow Hook	1
LANCHALTC1060	Pin Spacer	1
LANCHALTC1070	Tow Cable Stow Latch	1
LANCHALTC1080	Cable Stow Extender	1
LANCHALTC1081	Tow Cable Stow Drop Bracket	1
LAN-JDTC102	Cable Drawbar Pin	1
LAN-JDTC110A	Tow Cable Assembly	1
LAN1137030	Nyloc Nut - .5-13, Gr. 5	6
LAN22000	Flat Washer - 1/2	16
LAN26000	Flat Washer - 5/8	2
LAN26B00	Hex Bolt - .625-11 x 2, Gr. 5	1
LANF-BZBS-0.69-0.5	Bronze Bushing	1
LANFOEM0	SAE Flat Washer - 1.125	2
LANF00QF	Hex Bolt - .5-13 x 2.25, Gr. 5	6
LANF257T	Double Split 1.25" Shaft Collar	1
LANSS704	SS Pin	1
LANRE311683	7/16 x 2 Clinch Pin	1
REDKRJF	Top Lock Nut - .625-11, Gr. 5	1
LAN20797	Hex Bolt - 1.125-7 x 7, Gr. 9	1
LAN36422	Hex Nut - 1.125-7, Gr. 8	2
RED1F30	Top Lock Nut - .5-13, Gr. 5	2
REDB508	Hex Bolt - .5-13 x 2, Gr. 5	2
LANFWS59	SAE Flat Washer - .875	4
REDKRJ9	Top Lock Nut - .875-9, Gr. 5	2
LANFB910	Hex Bolt .875 - 9 x 2.5, Gr. 5	2

Numerical Parts List (Continued)

Part Numbers	Description	Qty
LANFB022	1"-8 X 5-1/2", Gr. 5 Hex Head Bolt	1
LANFNANO	1"-8 Nylon Lock Nut	1
LANTC192	Cable Guide Bracket	1
LANTC193	Tow Cable Spacer Plate	8
LANF-FW-M20	20mm Washer	2
LANFOFSS	M20-2.5 x 80mm, Gr. 10.9 Hex Head Bolt	2

Pictorial Parts List

					
LANCHALTC1010 (2)	LANCHALTC1020 (1)	LANCHALTC1030 (2)	LANCHALTC1040 (1)	LANCHALTC1050 (1)	LANCHALTC1060 (1)
					
LANCHALTC1070 (1)	LANCHALTC1080 (1)	LAN-JDTC102 (1)	LAN-JDTC110A (1)	LAN1137030 (6)	LAN22000 (14)
					
LAN26000 (2)	LAN26B00 (1)	LANF-BZBS-0.69-0.50 (1)	LANFOEM0 (2)	LANF00QF (6)	LANF257T (1)
					
LANSS704 (1)	LANRE311683 (1)	REDKRJF (1)	LAN20797 (1)	LAN36422 (2)	RED1F30 (1)

Pictorial Parts List

 <p>REDB508 (2)</p>	 <p>LANFWS59 (4)</p>	 <p>REDKRJ9 (2)</p>	 <p>LANFB910 (2)</p>	 <p>LANFB022 (1)</p>	 <p>LANFNANO (1)</p>
 <p>LANTC192 (1)</p>	 <p>LANTC193 (8)</p>	 <p>LANF-FW-M20 (2)</p>	 <p>LANF0FSS (2)</p>	 <p>LANCHALTC1081 (1)</p>	

Kit Installation

Different tractors/models will require different cable support brackets. Both are listed below—use the one that works best in your situation.

Refer to Figures 1A

1. Move forward between the front tires under the tractor. Locate the two tapped holes in the underside of tractor that line up with the holes in the cable guide bracket (LANTC192).
2. Attach the cable guide bracket with two M20 x 80 bolts (LANF0FSS) and M20 washers (LANF-FW-M20). If needed for line clearance, you can space the guide bracket off the bottom of the tractor using the provided spacer plates (LANTC193).

Refer to Figure 1B & 2B

1. Hang plates LANCHALTC1010 on each side of the front of the tractor inside the vertical weight bracket arm.
2. Hold LANCHALTC1020 up to cradle the front mounts on the tractor and bolt LANCHALTC1010 on each side (6 places total) with a 1/2" x 2 1/4" bolt (LANF00QF), two 1/2" washers (LAN22000) and a 1/2" nyloc nut (LAN1137030).

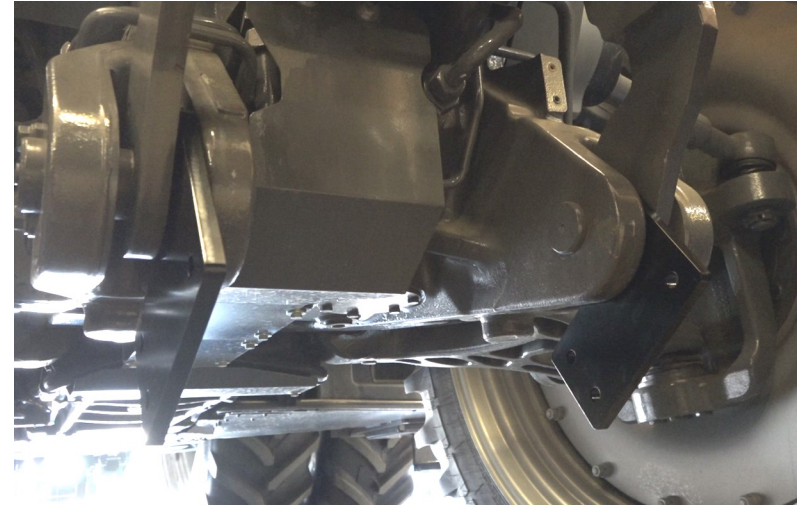
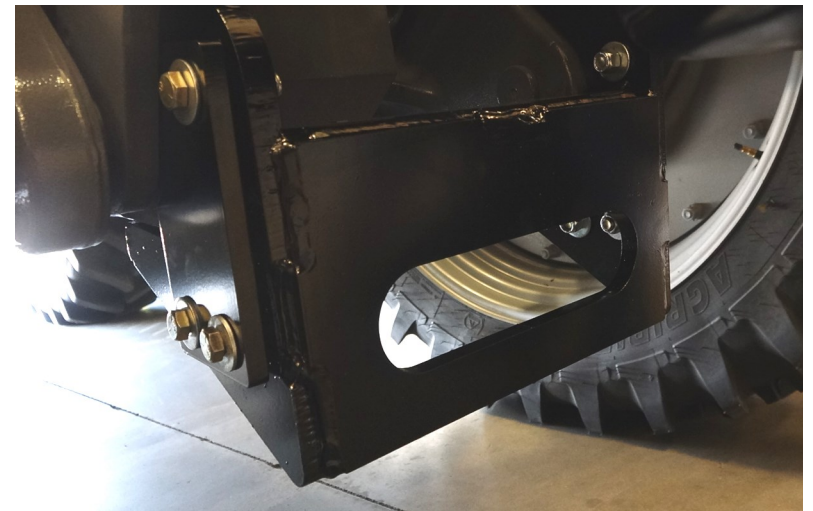


Figure 1B

Figure 2B



Figure 1A



Kit Installation

Refer to Figures 3 - 5

3. Straighten the cable and lay it in front of the tractor. The welded collar/washer on the cable should be behind the spring, toward the tractor. Feed the cable through the cable guide (LANCHALTC1020).
4. Go to the rear of the tractor at the front of the drawbar. Place spacer plate LANCHALTC1040 on top of the drawbar, then place LANCHALTC1030, one on top of the spacer plate and one below the drawbar. Loosely bolt all together with 1 1/8" x 7" bolt (LAN20797), two washers (LANFOEM0) and nut (LAN36422) so the leading edge of plates LANCHALTC1030 are open slightly.



Figure 3

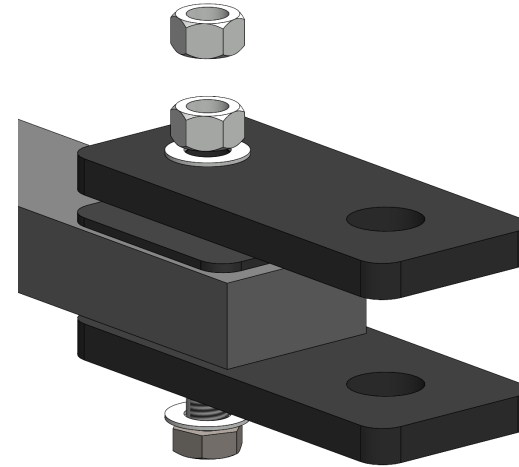


Figure 4



Figure 5

Kit Installation

Refer to Figures 6 - 7

5. Place the eye of the cable between plates LANCHALTC1030 and install pin LANJDTC102 up from the bottom. Place LANCHALTC1060 over LANJDTC102 with the washer side facing up and install the clinch pin (LANRE311683). Tighten previously installed 1 1/8" nut (LAN36422). Apply thread locker to the second back up nut (LAN36422) and tighten.
6. Go to the front of the tractor and pull the slack out the cable by any means necessary (chain come along, forklift, etc.) Compress the spring and install the split collar (LANF257T), in front of the washer and spring, on the cable.



Figure 6



Figure 7

Kit Installation

Refer to Figures 8 - 10

7. Remove the upper pin on the front weight bracket arm on the tractor.

NOTE: If tractor is equipped with a large front weight (2500kg or 3300kg), skip to Step 9.

8. For tractors with a 1250 or 1800 kg front weight, reinstall the pin, pinning through the cable stow hook (LANCHALTC1050) as shown. **Skip to Step 11.**

9. Reinstall the pin, pinning through the cable stow extension (LANCHALTC1080) as shown in Figure 9. **IF MORE LENGTH IS NEEDED ON THE STOW BRACKET:** the cable stow drop bracket (LANCHALTC1081) can be fastened between the extension and the stow hook using the provided 7/8" x 2 1/2" hex bolt (LANFB910), 7/8" washers (LANFWS59), a 7/8" top lock nut (REDKRJ9), and a 1/2" x 2" hex bolt (REDB508), 1/2" washers (LAN26000), and a 1/2" top lock nut (RED1F30).

10. Attach the cable stow hook (LANCHALTC1050) to the cable stow extension (LANCHALTC1080) with a 7/8" x 2 1/2" hex bolt (LANFB910), 7/8" washers (LANFWS59), a 7/8" top lock nut (REDKRJ9), and a 1/2" x 2" hex bolt (REDB508), 1/2" washers (LAN26000), and a 1/2" top lock nut (RED1F30).



Figure 8



Figure 9



Figure 10

Kit Installation

Refer to Figures 11 - 13

11. Attach the stow latch (LANCHALTC1070) to LANCHALTC1050 through the larger of the two holes on both using 5/8" x 2" hex bolt (LAN26B00), two 5/8" washers (LAN26000), bushing (LANF-BZBS-0.69-0.50) and 5/8" nut (REDKRJG).
12. Place the eye of the cable into the stow hook and pin the latch using the "push and twist" pin (LANSS704).



Figure 11



Figure 12



Figure 13



For further technical assistance,

Call Lankota Inc. at:

1-866-526-5682